

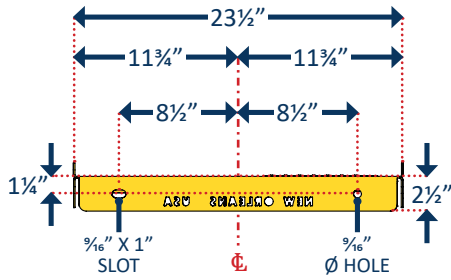
# DIMENSIONAL PRINT: 56° STEEL ALTERNATING TREAD STAIR WITH FLUSH HANDRAILS



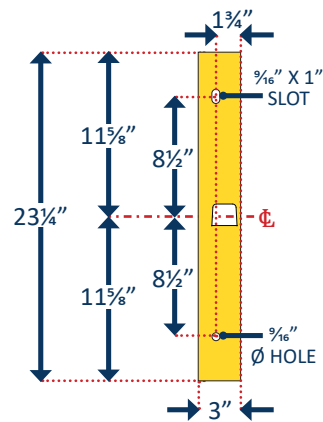
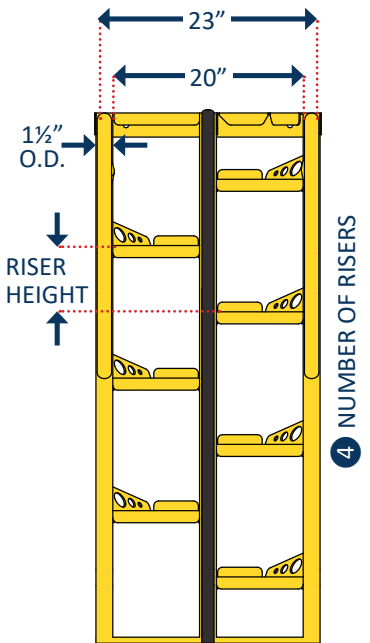
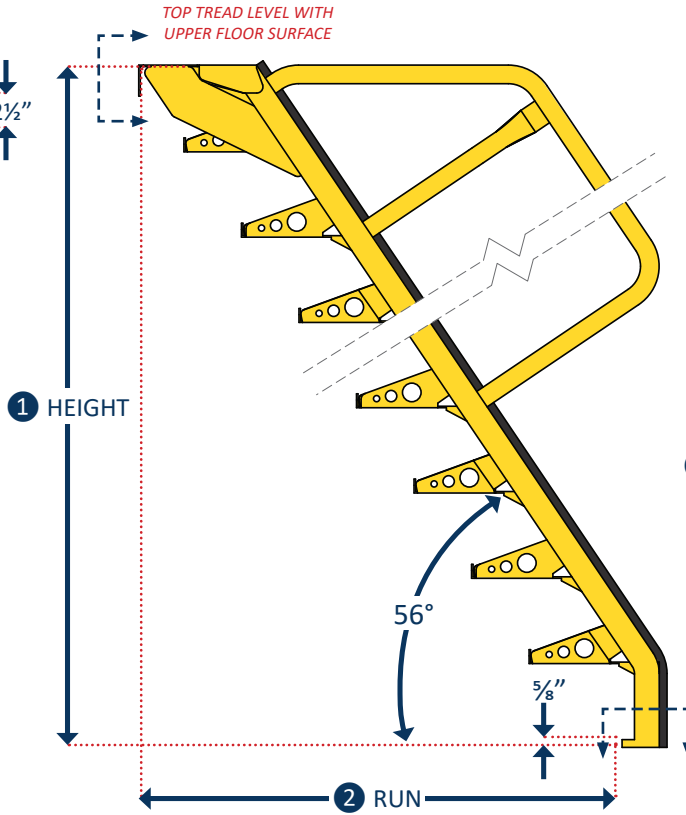
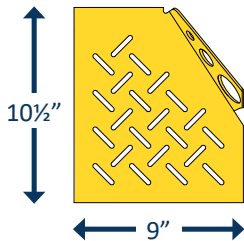
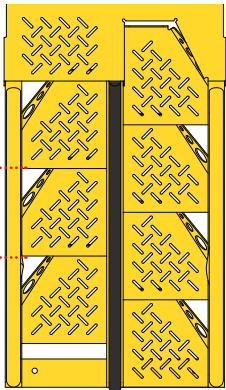
ALTERNATING TREAD STAIRS ARE DESIGNED TO COMPLY WITH ALL APPLICABLE OSHA STANDARDS

## VARIABLE DIMENSIONS

- 1 SPECIFIED STAIR HEIGHT
  - 2 HORIZONTAL RUN
  - 3 RISER HEIGHT
  - 4 NUMBER OF RISERS
  - 5 PROJECTED TREAD DEPTH
- CALCULATED BASED ON HEIGHT:*



PROJECTED TREAD DEPTH



### FOR STAIR HEIGHTS 15' AND UP

Lapeyre Stair recommends an intermediate platform with two stairs of equal heights. Sway bracing may be required to reduce vibration.

[lapeyrestair.com](http://lapeyrestair.com) • [LS.sales@lapeyrestair.com](mailto:LS.sales@lapeyrestair.com)

