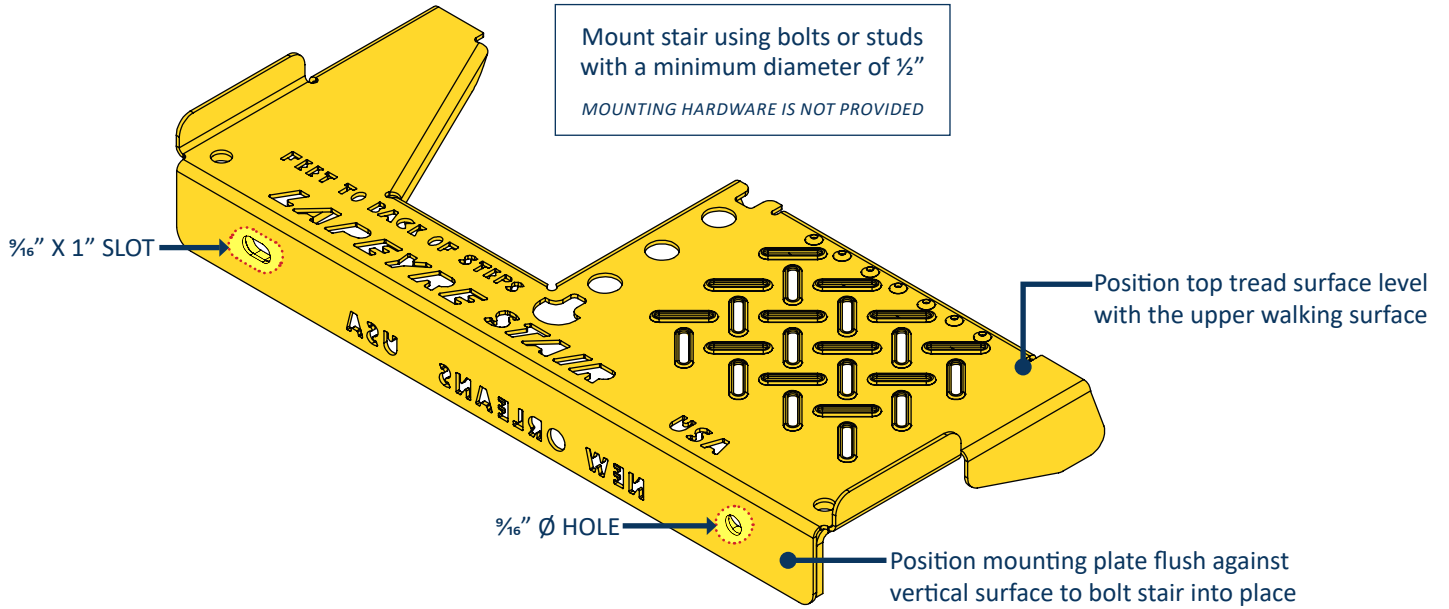


TOP LANDING/TREAD

STANDARD CONNECTION DETAILS

56° AND 68° STEEL ALTERNATING TREAD STAIRS

- ✓ Carbon steel with powder coat finish
- ✓ Carbon steel with galvanized finish
- ✓ Stainless steel



1/16" X 1" SLOT

Mount stair using bolts or studs with a minimum diameter of 1/2"

MOUNTING HARDWARE IS NOT PROVIDED

Position top tread surface level with the upper walking surface

1/16" Ø HOLE

Position mounting plate flush against vertical surface to bolt stair into place

