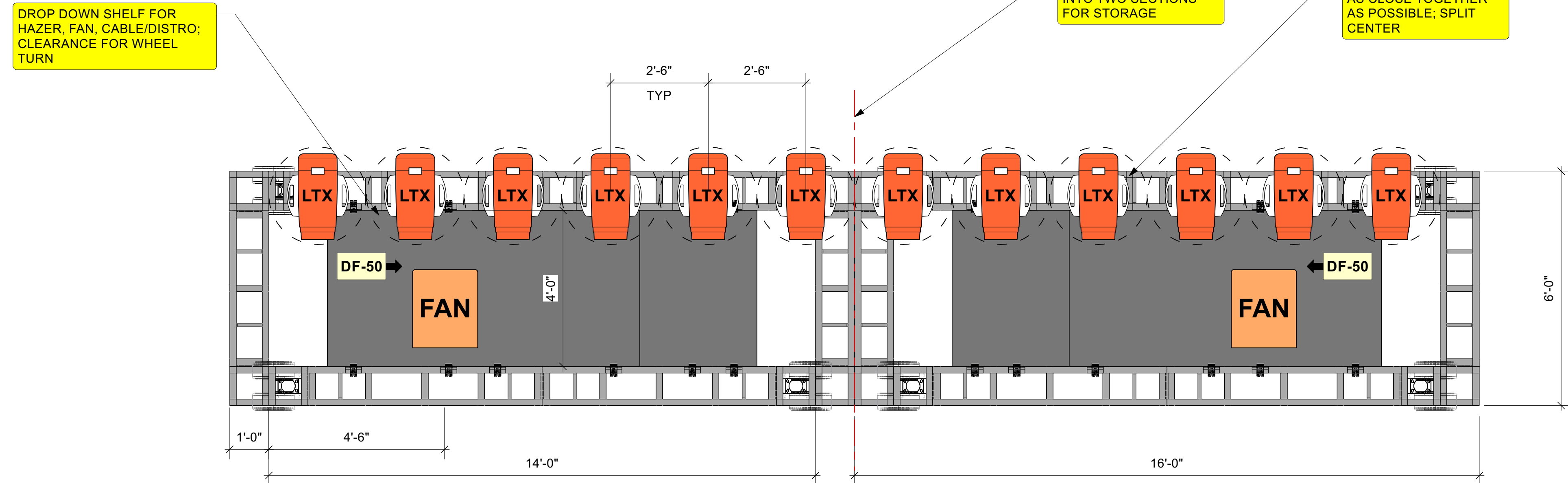
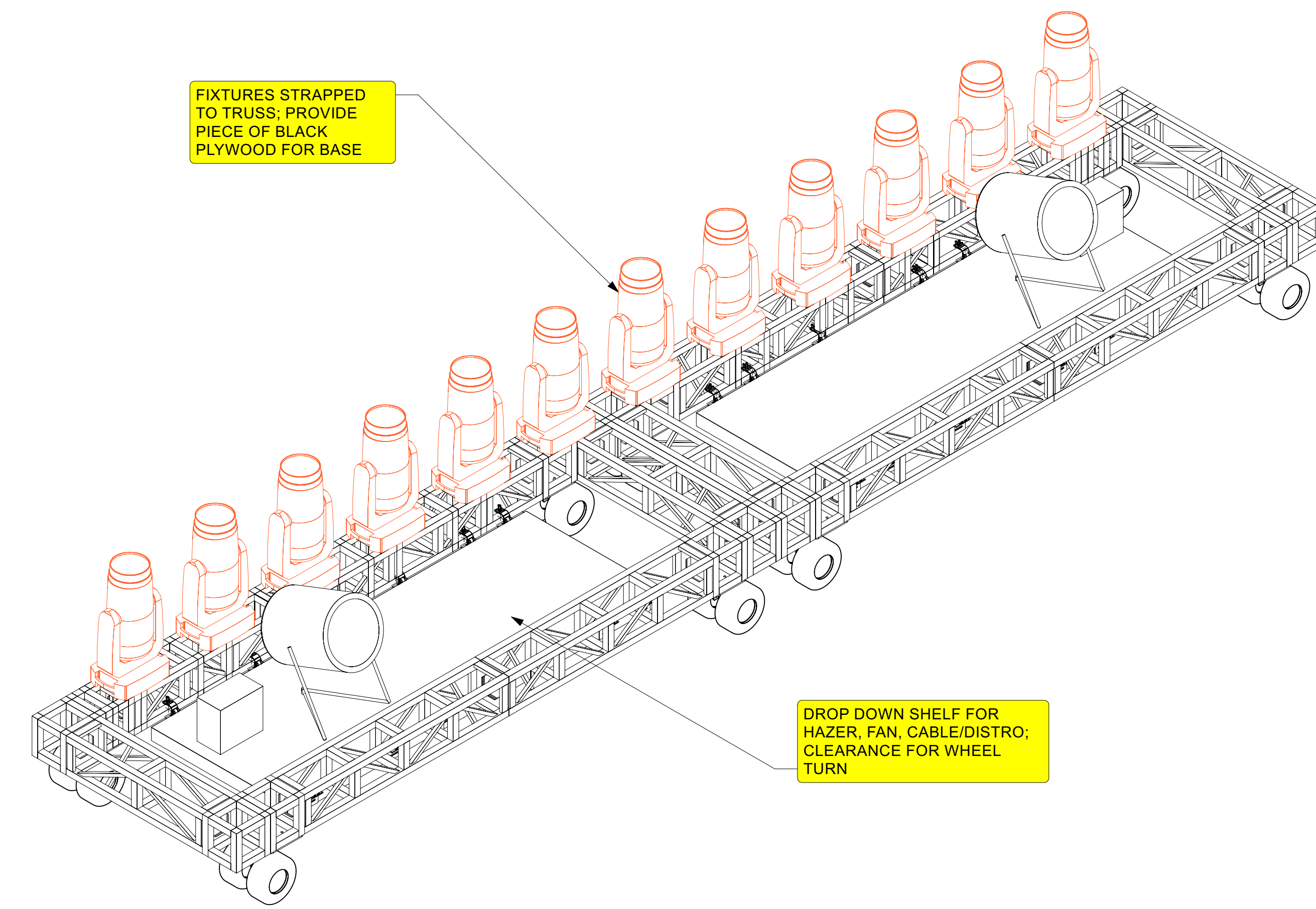


FRONT VIEW

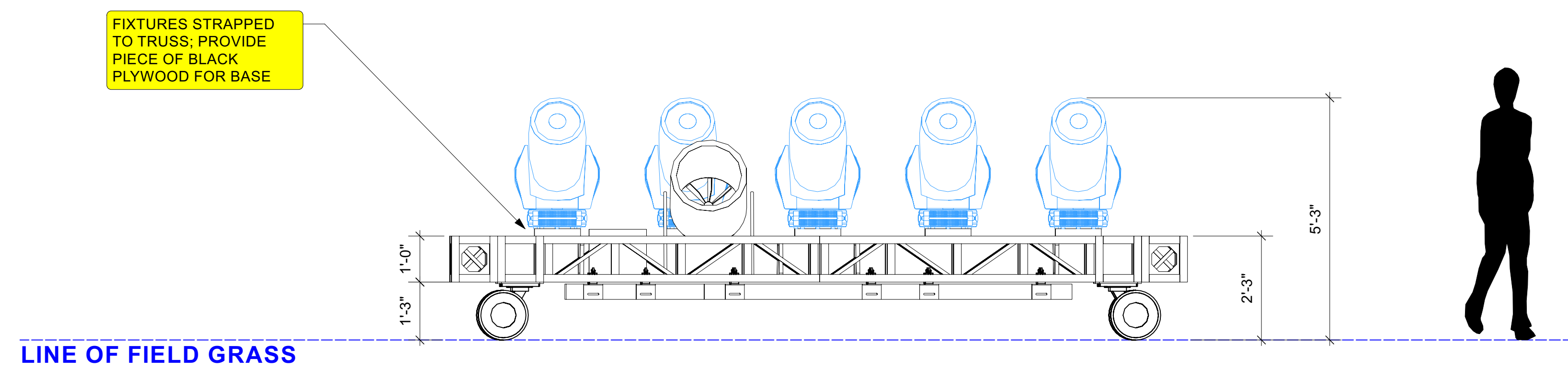


PLAN VIEW

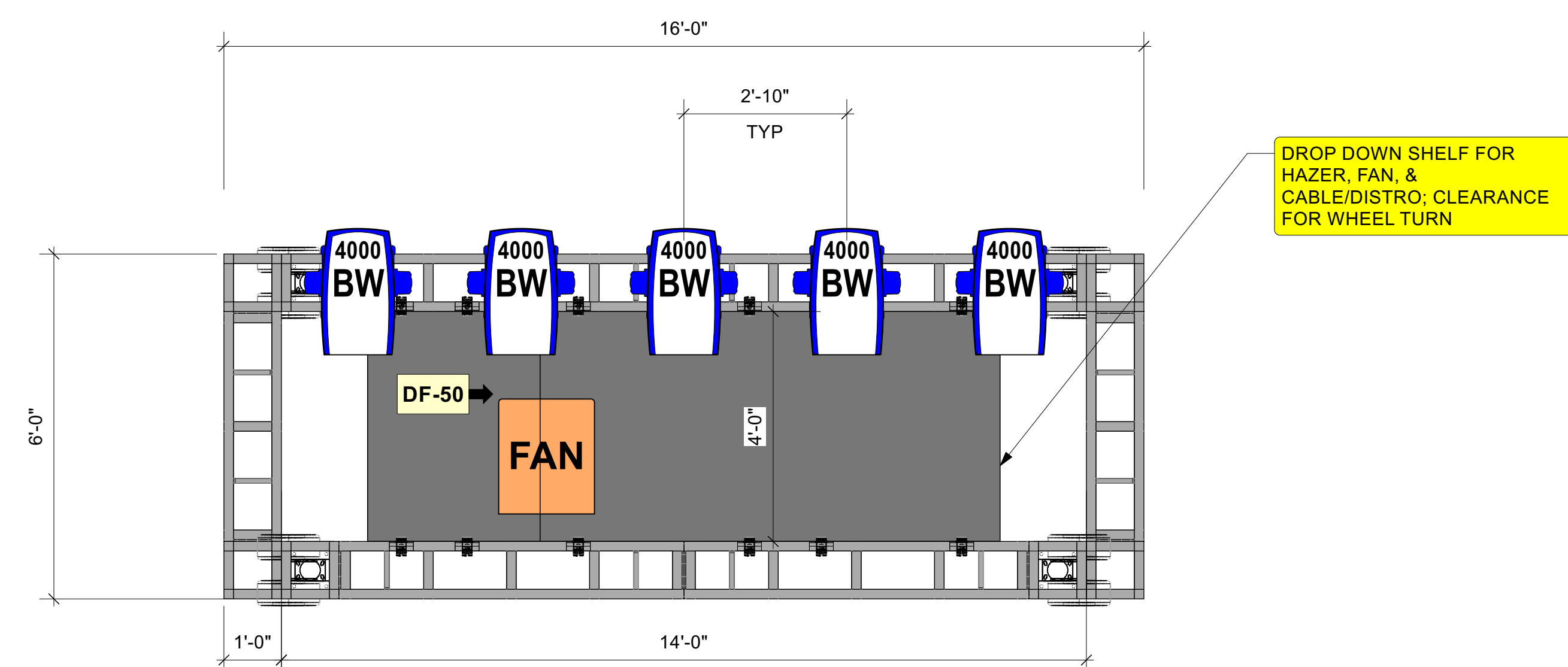


ISOMETRIC VIEW

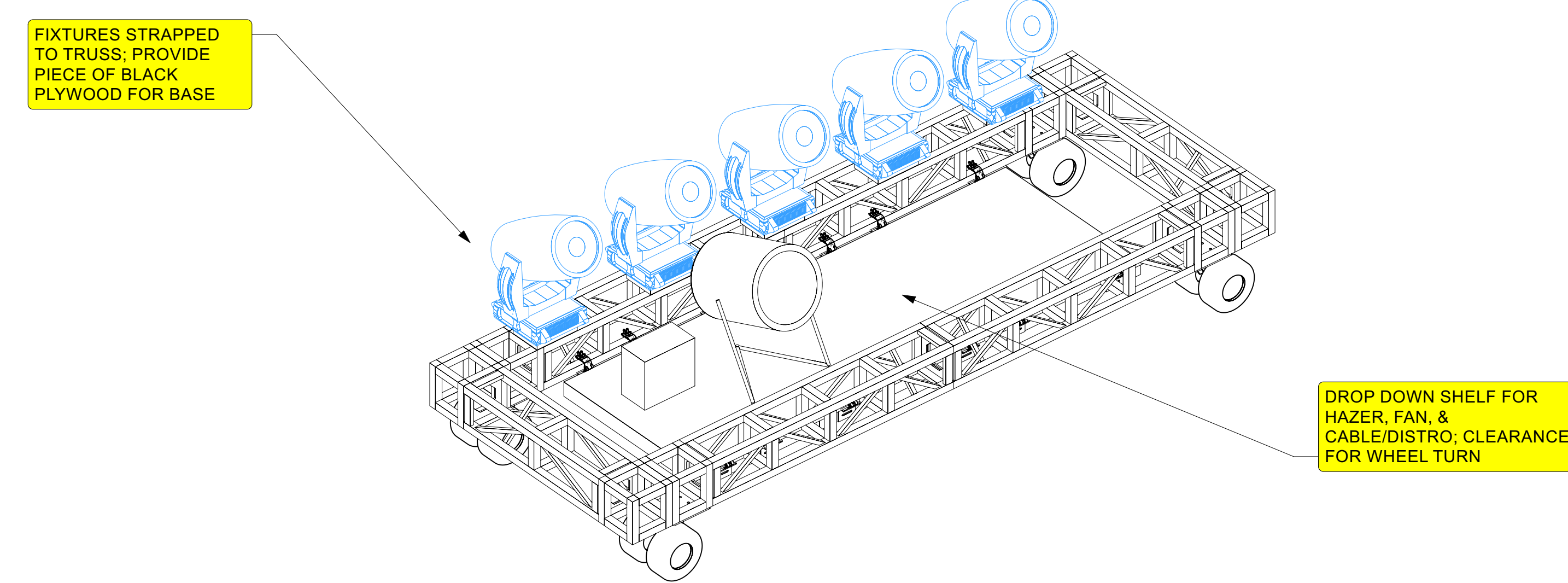
1 NORTH & SOUTH FIELD CARTS - BUILD 2X
Scale: 1/2" = 1'-0"



FRONT VIEW



PLAN VIEW



ISOMETRIC VIEW

2 EAST & WEST ENDZONE CARTS - BUILD 4X
Scale: 1/2" = 1'-0"

ENTERTAINMENT DESIGN GROUP
Please recycle this paper.

INSTRUMENT KEY

- TMB Solaris Flare @ 1kw
- FCME Outline 360 @ 450 w
- Ayton Diablo @ 550w
- ETC Zoo
- Protocus Radius
- Philips Vari-Lite VL3600 Profile @ 1.475kw
- Philips Vari-Lite VL4000 Beamwash @ 1.4kw
- Robe iForte LTX @ 1.25kw
- PRG GC Longthrow @ 1.5kw
- DF-50 Hazer @ 440w
- RealEFX RE 5 Fan @ 2.8kw

VENUE
SUPERDOME
NEW ORLEANS, LA

SHOW
LIX
SLAMMER BLOWMA
HALFTIME SHOW

LOAD IN | **SHOWDAY** | **SHOW**
TBD | 02/09/25 | 25/2

DESIGNER AL CURRION
LEAD L.D. BEN GREEN
GAFFER ALEN SISUL
PROD. 1 E. MARSHWINI
PROD. 2 M. HUMPHREY
LEAD TECH R. MINNOTTE

VERSION

01	PRELIMINARY 11-13
02	FIELD TRUSS EDIT 11-24
03	UPDATED 11-30
04	UPDATED TRUSS 12-5
05	UPDATED DISTRO 12-08
06	POWER LAYOUT 1-2
07	CART UPDATE 1-8

PRINT ARCH E SHEET
GROUP BY: J. BEHM | SCALE: AS NOTED

CONTENTS

- 01 OVERVIEW
- 02 PERIMETER TRUSS
- 03 EAST 450 RAIL
- 04 WEST 450 RAIL
- 05 CENTER TRUSS
- 06 FIELD LAYOUT
- 07 GOALPOSTS
- 08 CARTS
- 09 LAMP POSTS
- 10 N & S SECTION
- 11 E & W SECTION
- 12 FIELD POWER LAYOUT
- 13 SERVICE LEVEL POWER

SHEET #
08

PUBLISH DATE
01/06/2025

CARTS