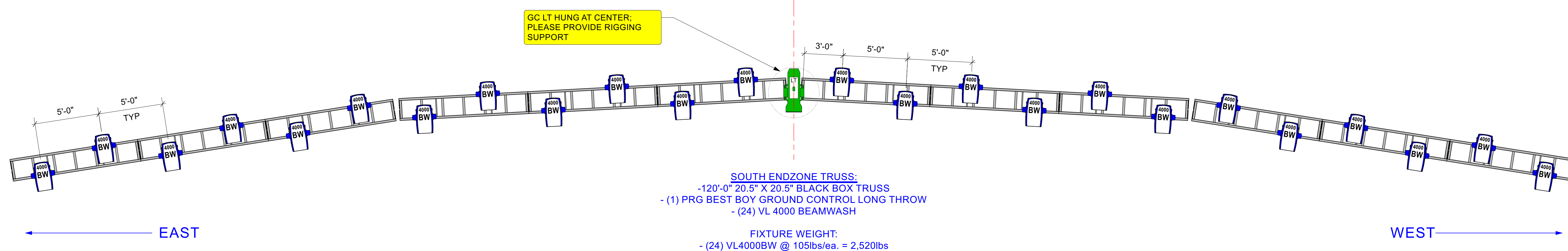
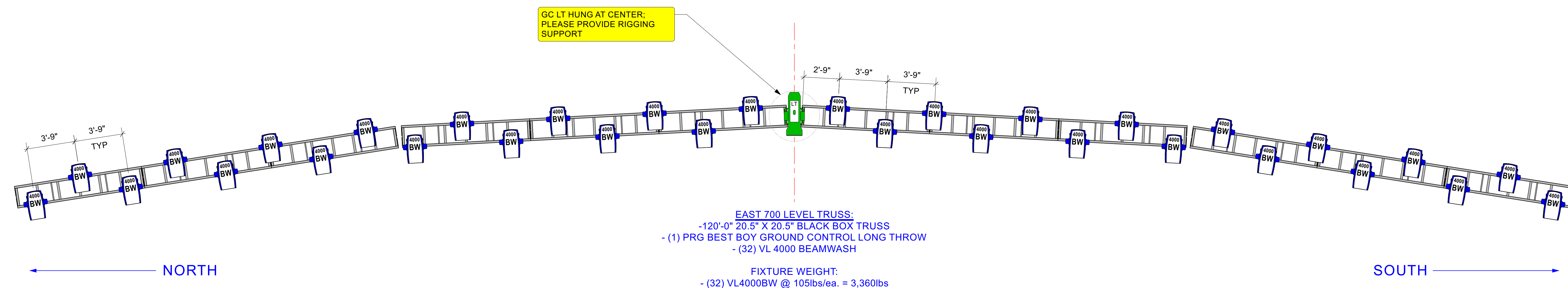


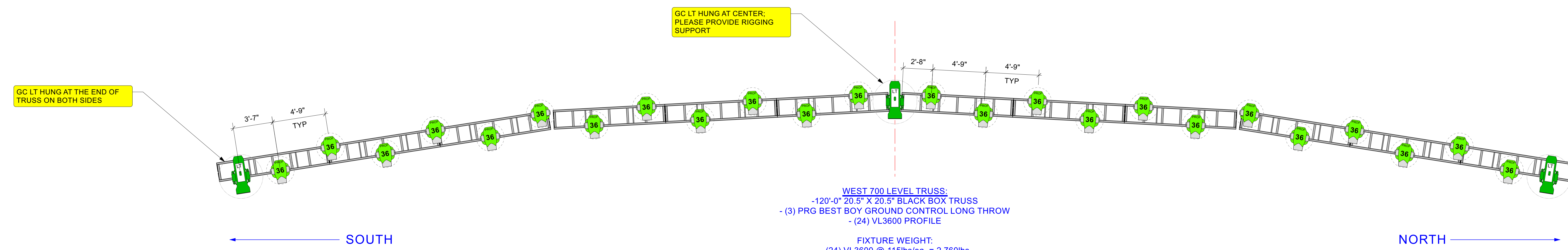
1 NORTH ENDZONE TRUSS
Scale: 1/4" = 1'-0"



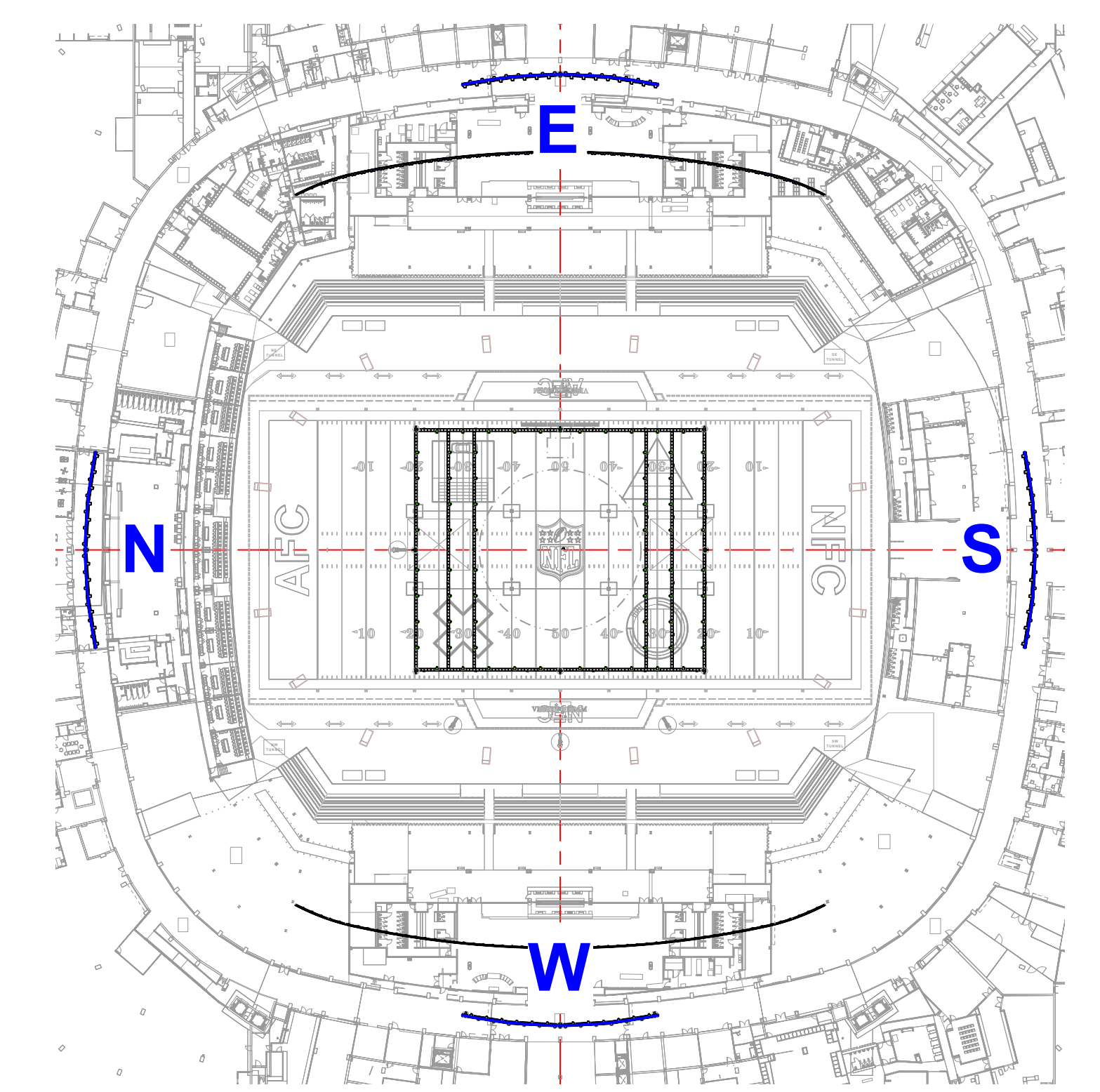
2 SOUTH ENDZONE TRUSS
Scale: 1/4" = 1'-0"



3 EAST 700 LEVEL TRUSS
Scale: 1/4" = 1'-0"



4 WEST 700 LEVEL TRUSS
Scale: 1/4" = 1'-0"



ENTERTAINMENT DESIGN GROUP
Please recycle this paper.

INSTRUMENT KEY

- TMB Solaria Flame @ 15w
- ACME Outline 360 @ 450 w
- Ayrton Diablo @ 550w
- ETC Zoo
- Protocus Radius
- Philips Var-Lite VL3600 Profile @ 1.475kw
- Philips Var-Lite VL4000 Beamwash @ 1.4kw
- Robe iForte LTX @ 1.25kw
- PRG GC Longthrow @ 1.5kw
- DF-50 Hazer @ 440w
- RoyalFX RE 5 Fan @ 2.8kw

VENUE
SUPERDOME
NEW ORLEANS, LA

SHOW
NFL
SUPER BOWL
HALFTIME SHOW

LOAD IN	SHOW/DAY	SHOW
TBD	02/09/25	25/2

DESIGNER AL CURROON
LEAD L.D. BEN GREEN
GAFFER ALEN SISUL
PROD. 1 E. MARCHINI
PROD. 2 M. HUMPHREY
LEAD TECH R. MINNOTTE

VERSION

01. PRELIMINARY 11-13
02. FIELD TRUSS EDIT 11-24
03. UPDATED 11-30
04. UPDATED TRUSS 12-5
05. UPDATED DISTO 12-26
06. POWER LAYOUT 1-2
07. CART UPDATE 1-8

PRINT ARCH E SHEET
DRAWN BY: J. BEHM
SCALE: AS NOTED

CONTENTS

01. OVERVIEW
02. PERIMETER TRUSS
03. EAST 450 RAIL
04. WEST 450 RAIL
05. CENTER TRUSS
06. FIELD LAYOUT
07. GOALPOSTS
08. CARTS
09. LAMP POSTS
10. N & S SECTION
11. E & W SECTION
12. FIELD POWER LAYOUT
13. SERVICE LEVEL POWER

SHEET #
02

PUBLISH DATE
01/06/2025

PERIM. TRUSS