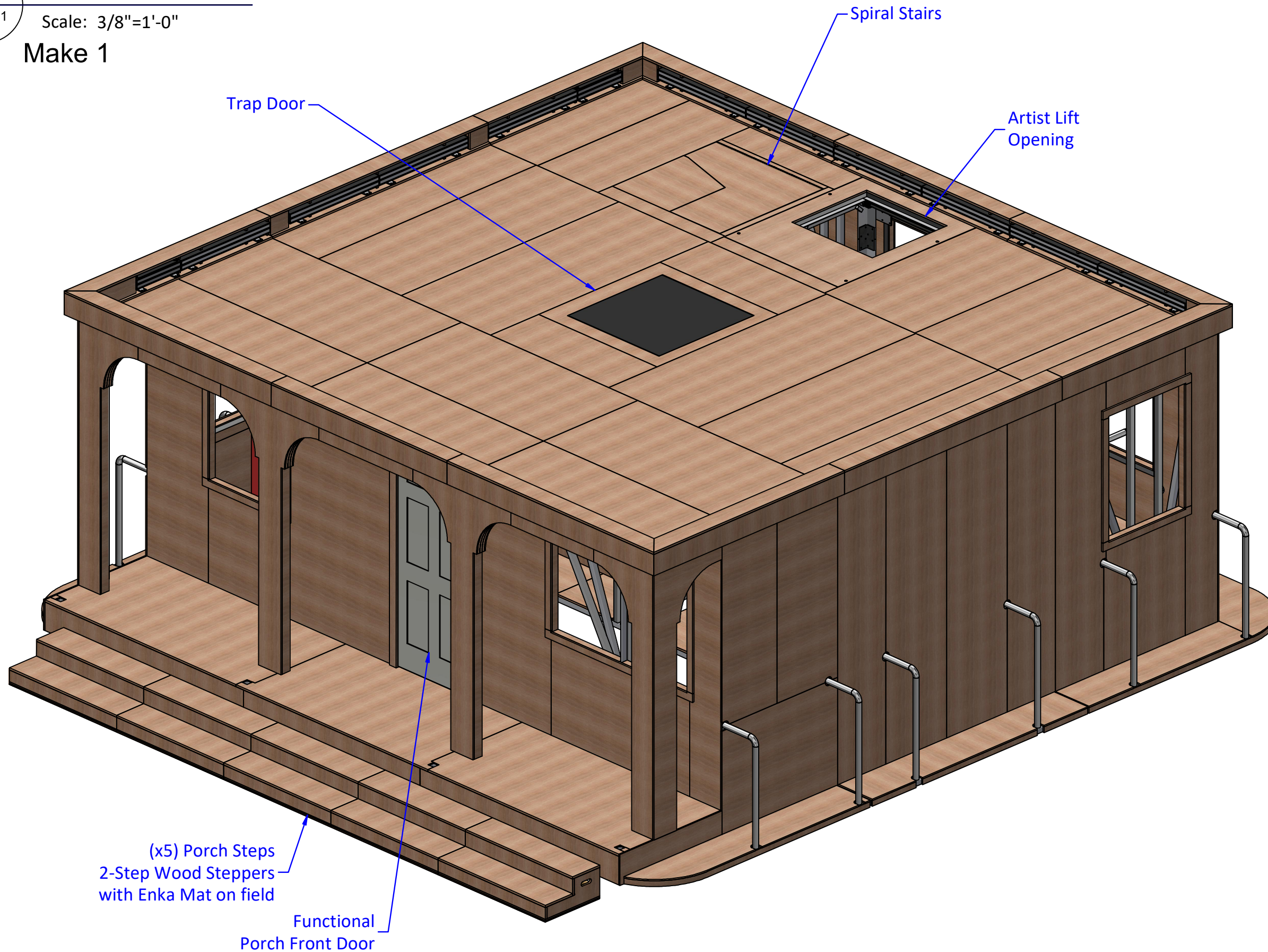


Overall_FRONT ISO

Sheet 1

Scale: 3/8"=1'-0"

Make 1



ALLACCESS
ALLACCESSINC.COM

Project:
SB LX HT - Casita
Overview

Project Number:
EF260001

Release Date: 1/20/2026
Drawn By: Greyson M

Sheet: 1 of 6
Scale: As Noted on 11x17 Page

Estimated Weight:
N/A

General Notes:

Date: _____
Drawn By: M Carter

Drawing History



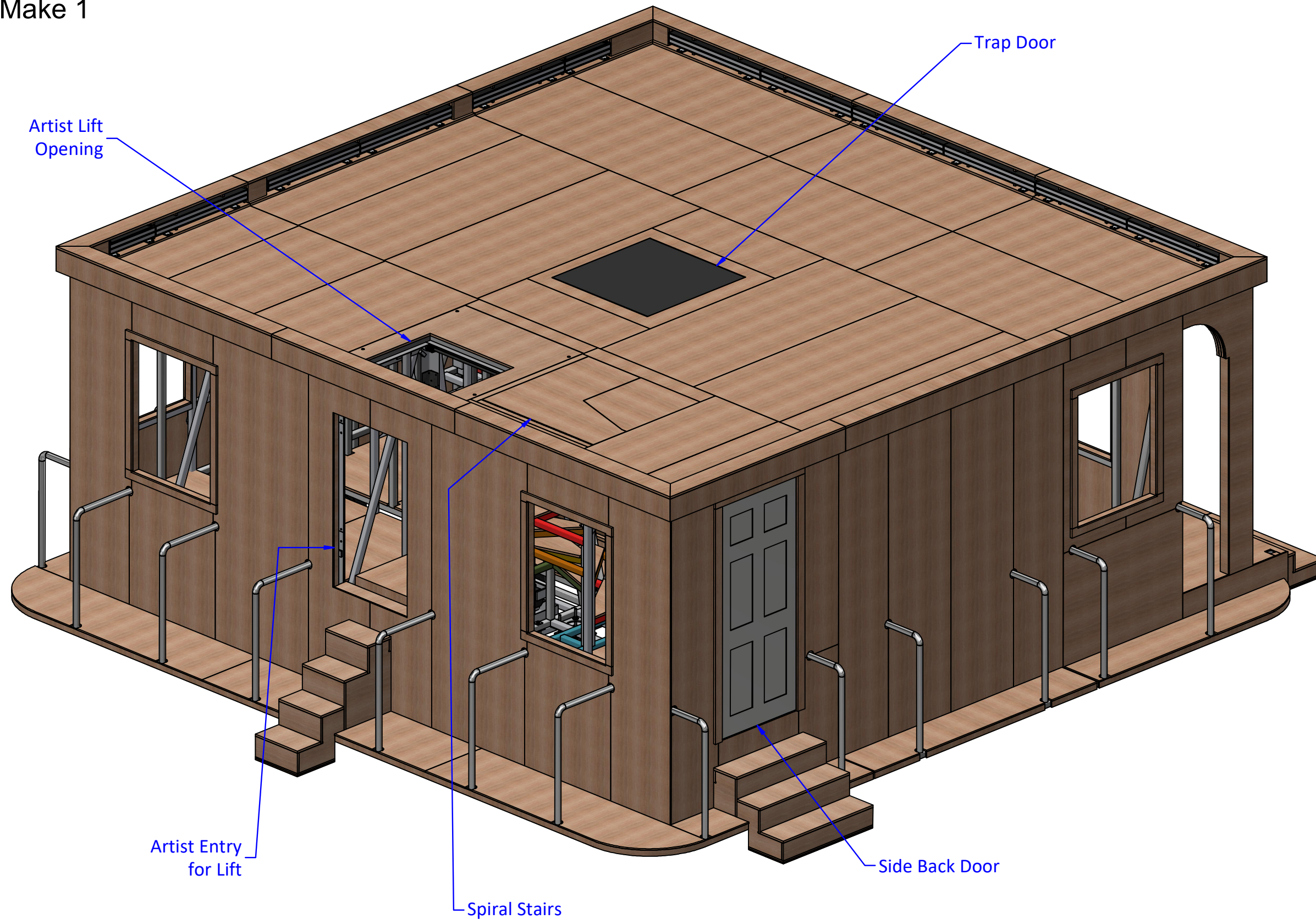
This drawing is the property of All Access Staging and Productions, Inc. and can not be duplicated, modified or used for any other purpose without written permission from All Access Staging and Productions, Inc. Use of this drawing for bidding is strictly prohibited. Verify all Dimensions, specifications and conditions before using this drawing for construction.
This drawing is CONFIDENTIAL and should not be disclosed to a 3rd party without written permission from All Access Staging and Productions, Inc.

Sheet 2

Overall_BACK ISO

Scale: 3/8"=1'-0"

Make 1



ALLACCESS
ALLACCESSINC.COM

Project:
SB LX HT - Casita
Overview

Project Number:
EF260001

Release Date: 1/20/2026
Drawn By: Greyson M

Sheet: 2 of 6
Scale: As Noted on 11x17 Page

Estimated Weight:
N/A

General Notes:

Date: _____
Drawn By: M Carter

Drawing History

Versa
Stage

This drawing is the property of All Access Staging and Productions, Inc. and can not be duplicated, modified or used for any other purpose without written permission from All Access Staging and Productions, Inc. Use of this drawing for bidding is strictly prohibited. Verify all Dimensions, specifications and conditions before using this drawing for construction.
This drawing is CONFIDENTIAL and should not be disclosed to a 3rd party without written permission from All Access Staging and Productions, Inc.

Sheet 3

Carts Joined

Scale: 1/8"=1'-0"

Make 1

Project:
SB LX HT - Casita
Overview

Project Number:
EF260001

Release Date: 1/20/2026
Drawn By: Greyson M

Sheet: 3 of 6
Scale: As Noted on 11x17 Page

Estimated Weight:
N/A

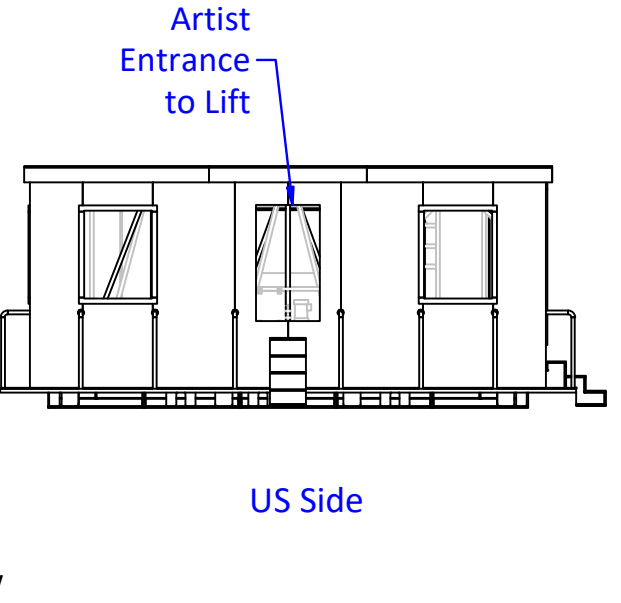
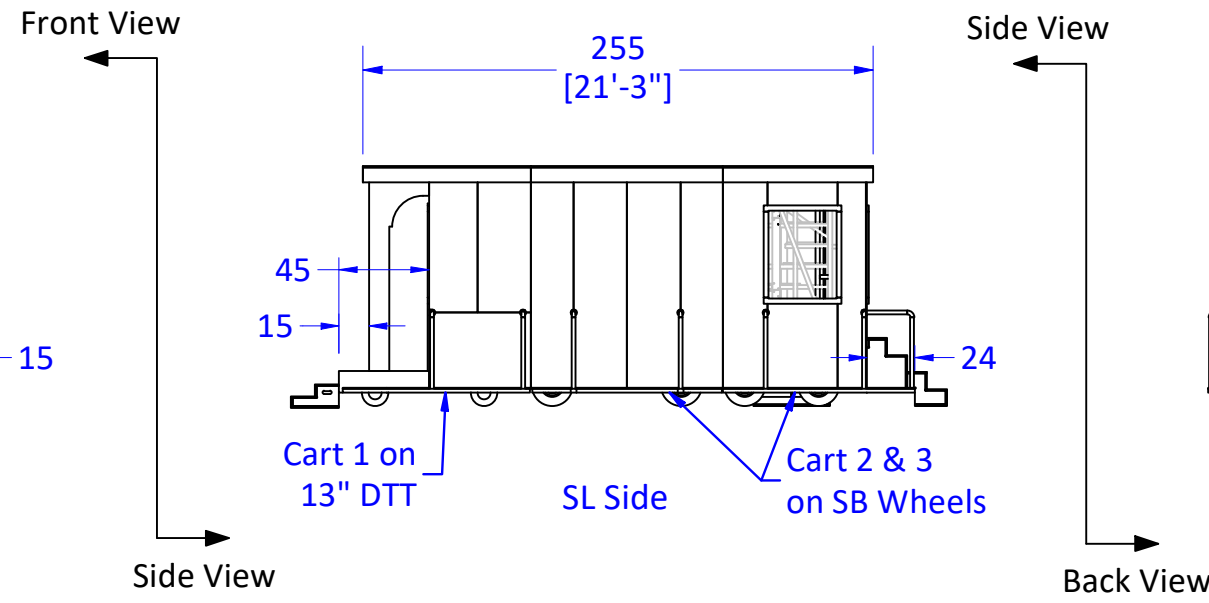
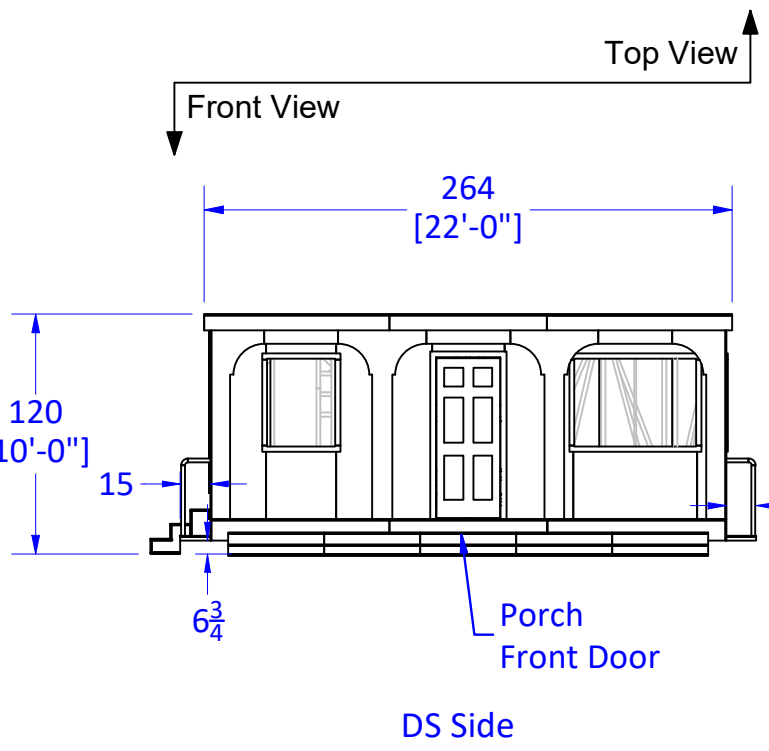
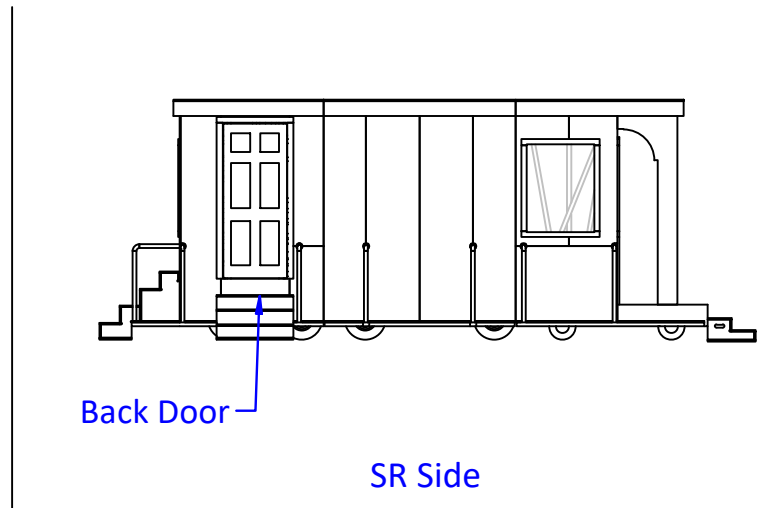
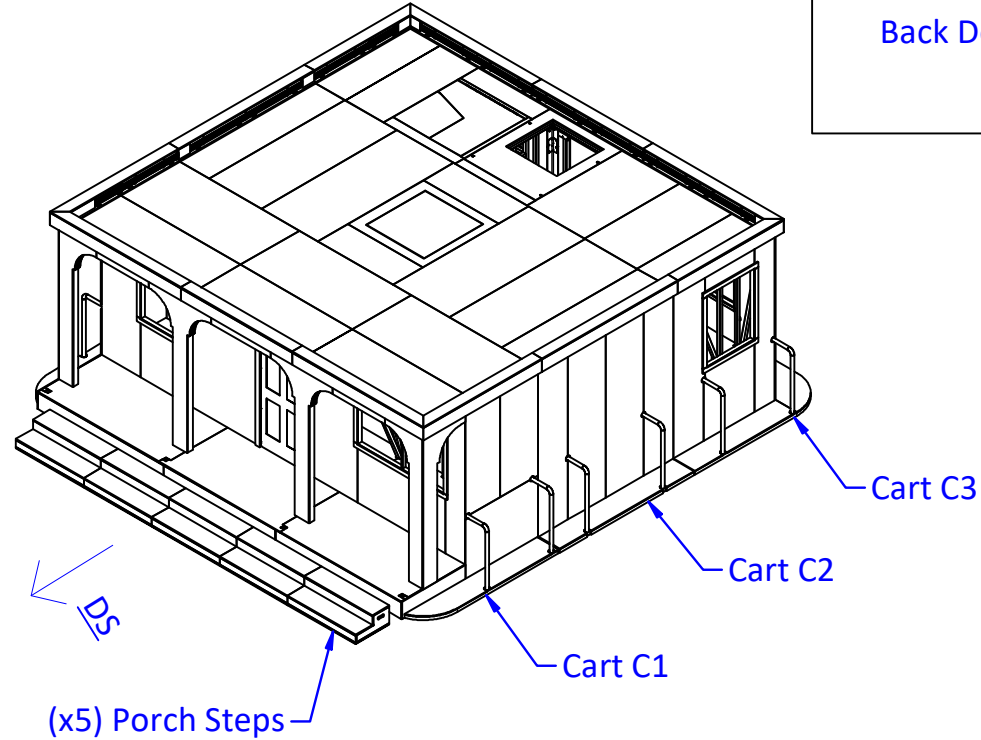
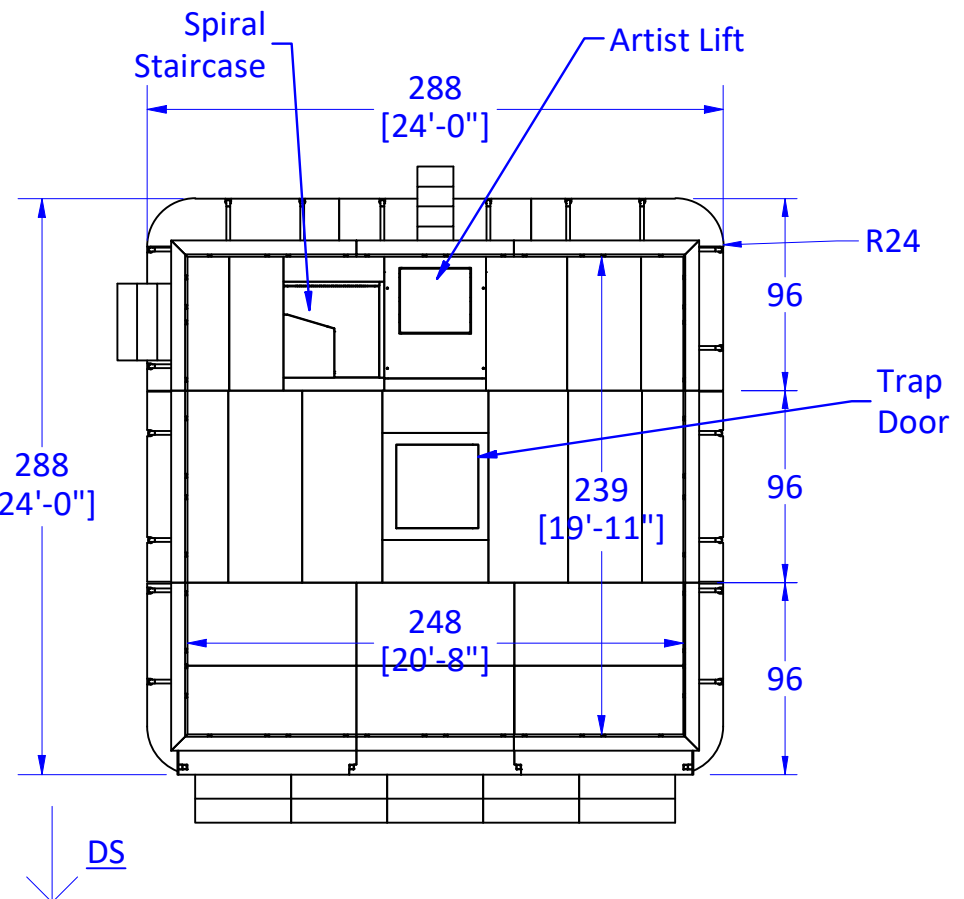
General Notes:

Date: _____ Drawn By: M Carter

Drawing History



This drawing is the property of All Access Staging and Productions, Inc. and can not be duplicated, modified or used for any other purpose without written permission from All Access Staging and Productions, Inc. Use of this drawing for bidding is strictly prohibited. Verify all Dimensions, specifications and conditions before using this drawing for construction.
This drawing is CONFIDENTIAL and should not be disclosed to a 3rd party without written permission from All Access Staging and Productions, Inc.



Sheet 4

CL Section

Scale: 1/2"=1'-0"

ALLACCESS

ALLACCESSINC.COM

Project:
SB LX HT - Casita
Overview

Project Number:
EF260001

Release Date: 1/20/2026
Drawn By: Greyson M

Sheet: 4 of 6
Scale: As Noted on 11x17 Page

Estimated Weight:
N/A

General Notes:

Date: _____
Drawn By: M Carter

Drawing History

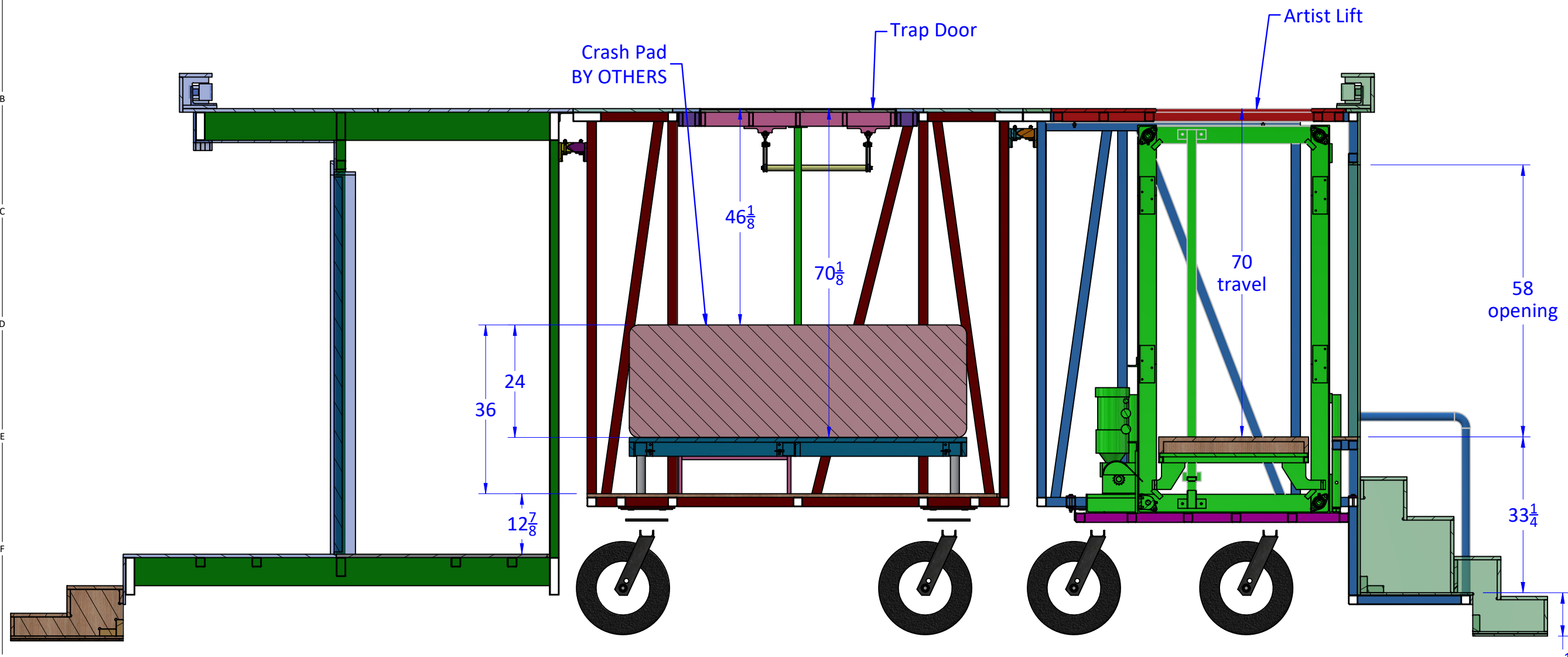
Versa Stage

This drawing is the property of All Access Staging and Productions, Inc. and can not be duplicated, modified or used for any other purpose without written permission from All Access Staging and Productions, Inc. Use of this drawing for bidding is strictly prohibited. Verify all Dimensions, specifications and conditions before using this drawing for construction.

This drawing is CONFIDENTIAL and should not be disclosed to a 3rd party without written permission from All Access Staging and Productions, Inc.

1 2 3 4 5 6 7 8 9 10 11 12 13

A B C D E F G H J



SECTION B-B
SCALE 1/2"=1'-0"

