

Sheet 1

Wedding Stage Iso

Scale: 3/16"=1'-0"

ALLACCESS
ALLACCESSINC.COM

Project:
SB LX HT- Wedding
Wedding Stage & Nuevayol

Project Number:
EF260001

Release Date: 12/18/2025
Drawn By: Genesis A

Sheet: 1 of 17
Scale: As Noted on 11x17 Page

Estimated Weight:
N/A

General Notes:

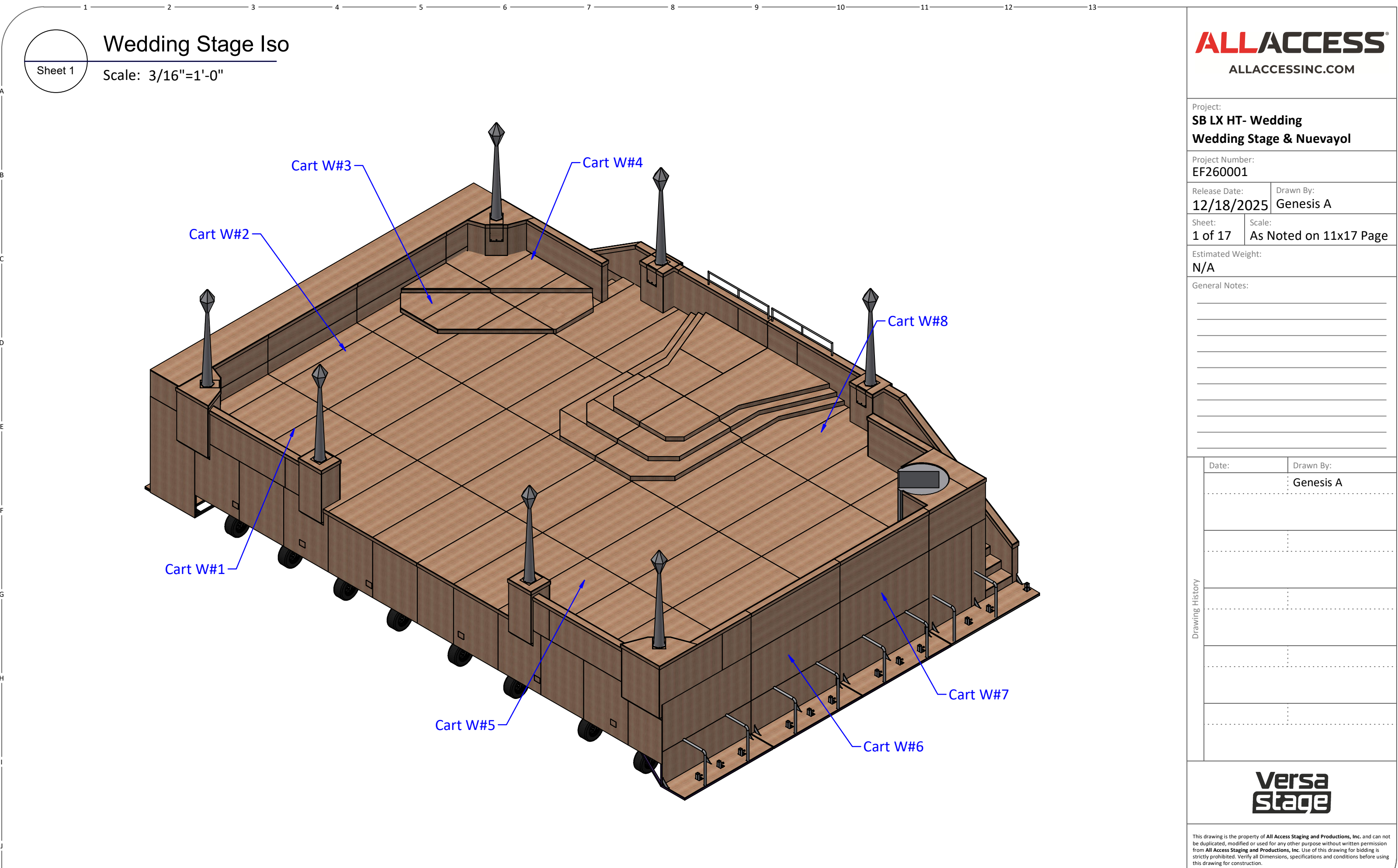
Date: _____
Drawn By: Genesis A

Drawing History

Versa
Stage

This drawing is the property of All Access Staging and Productions, Inc. and can not be duplicated, modified or used for any other purpose without written permission from All Access Staging and Productions, Inc. Use of this drawing for bidding is strictly prohibited. Verify all Dimensions, specifications and conditions before using this drawing for construction.

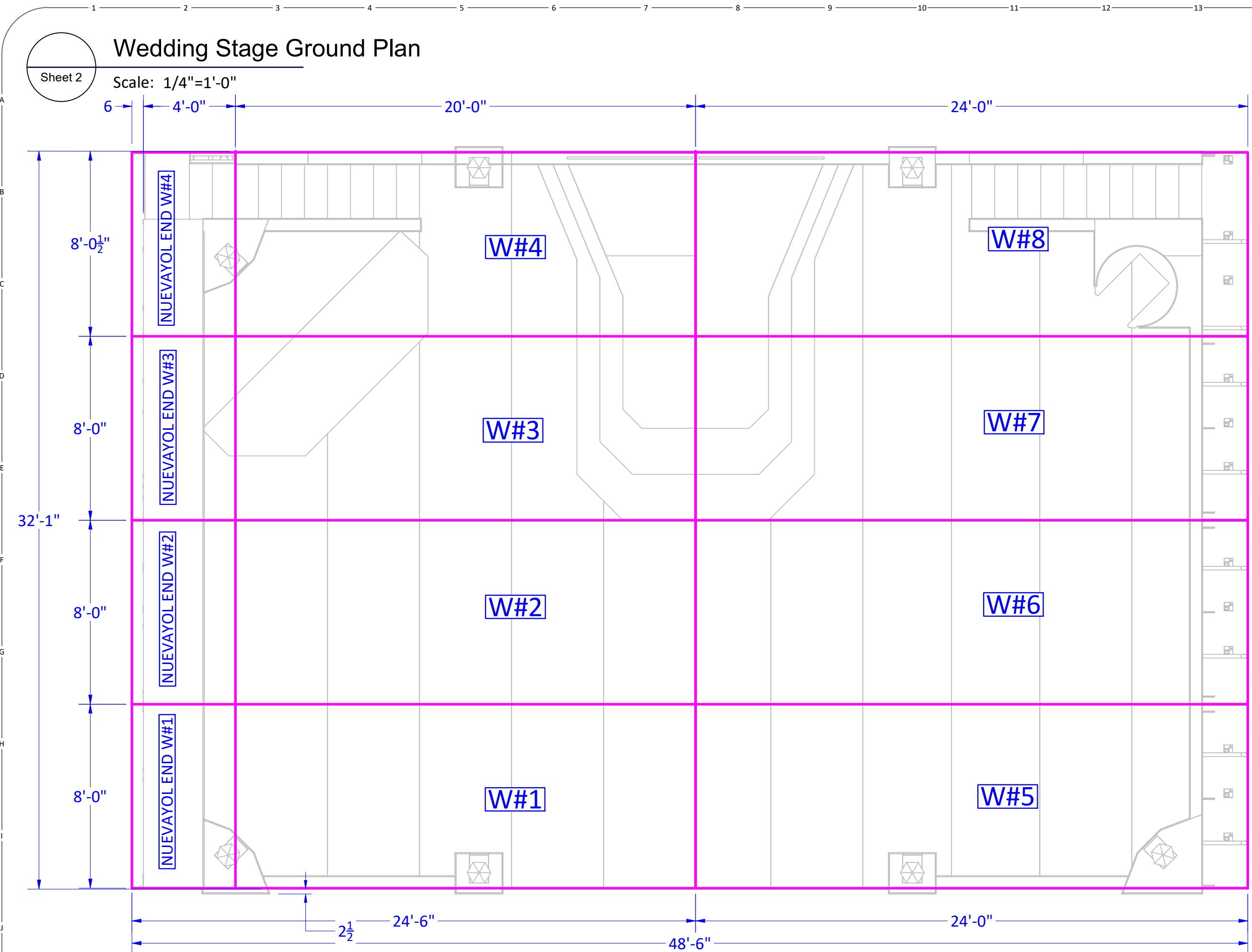
This drawing is CONFIDENTIAL and should not be disclosed to a 3rd party without written permission from All Access Staging and Productions, Inc.



Sheet 2

Wedding Stage Ground Plan

Scale: 1/4"=1'-0"



ALLACCESS
ALLACCESSINC.COM

Project:
SB LX HT- Wedding
Wedding Stage & Nuevayol

Project Number:
EF260001

Release Date:
12/18/2025

Drawn By:
Genesis A

Sheet:
2 of 17

Scale:
As Noted on 11x17 Page

Estimated Weight:
N/A

General Notes:

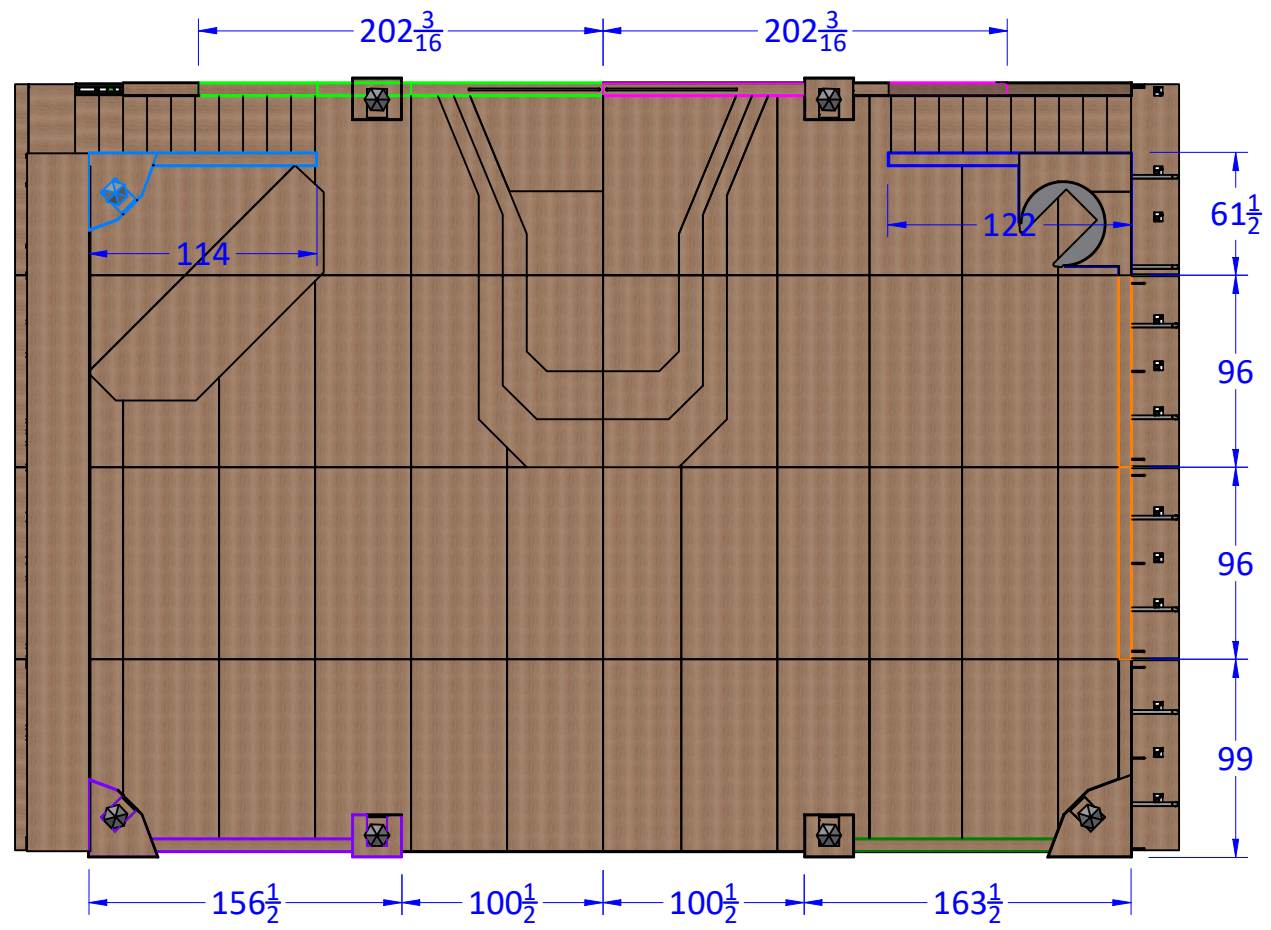
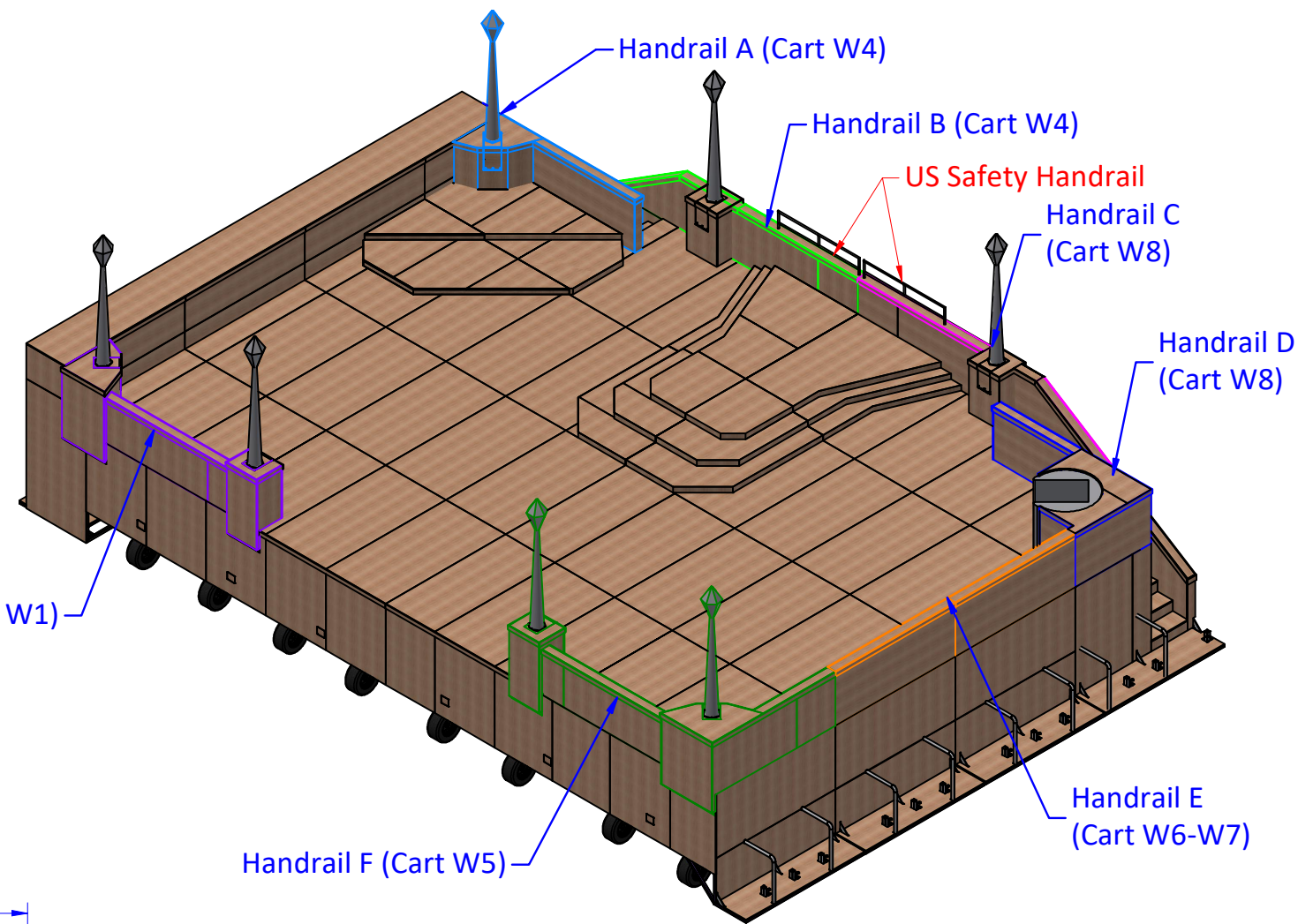
Date:	Drawn By:
	Genesis A

Versa
Stage

This drawing is the property of All Access Staging and Productions, Inc. and can not be duplicated, modified or used for any other purpose without written permission from All Access Staging and Productions, Inc. Use of this drawing for bidding is strictly prohibited. Verify all Dimensions, specifications and conditions before using this drawing for construction.
This drawing is CONFIDENTIAL and should not be disclosed to a 3rd party without written permission from All Access Staging and Productions, Inc.

Wedding Stage Handrail Overview

Scale: 1/8"=1'-0"



Project:
SB LX HT- Wedding
Wedding Stage & Nuevayol

Project Number:
EF260001

Release Date: 12/18/2025	Drawn By: Genesis A
------------------------------------	------------------------

Sheet: 3 of 17	Scale: As Noted on 11x17 Page
-------------------	----------------------------------

Estimated Weight:
N/A

General Notes:

Date:	Drawn By: Genesis A
-------	------------------------

Drawing History



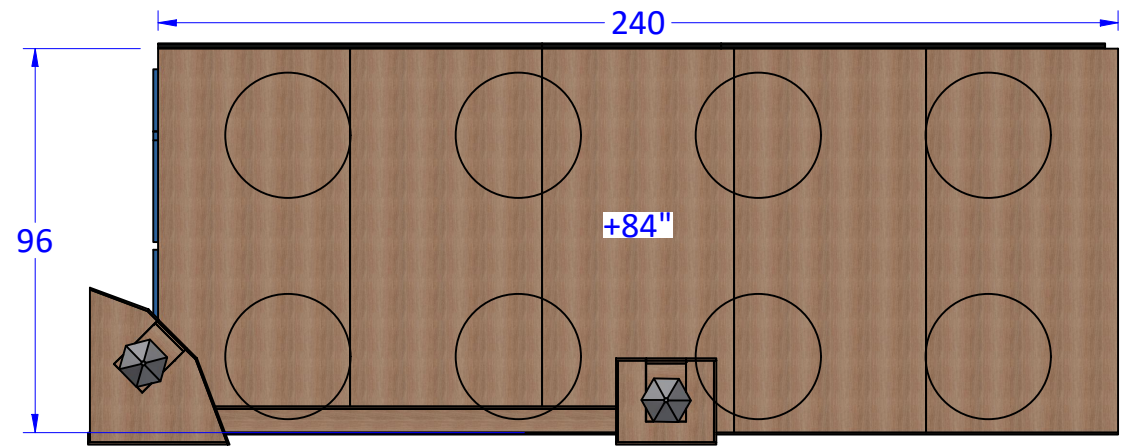
This drawing is the property of All Access Staging and Productions, Inc. and can not be duplicated, modified or used for any other purpose without written permission from All Access Staging and Productions, Inc. Use of this drawing for bidding is strictly prohibited. Verify all Dimensions, specifications and conditions before using this drawing for construction.

This drawing is CONFIDENTIAL and should not be disclosed to a 3rd party without written permission from All Access Staging and Productions, Inc.

SB LX HT- Wedding Cart W#1

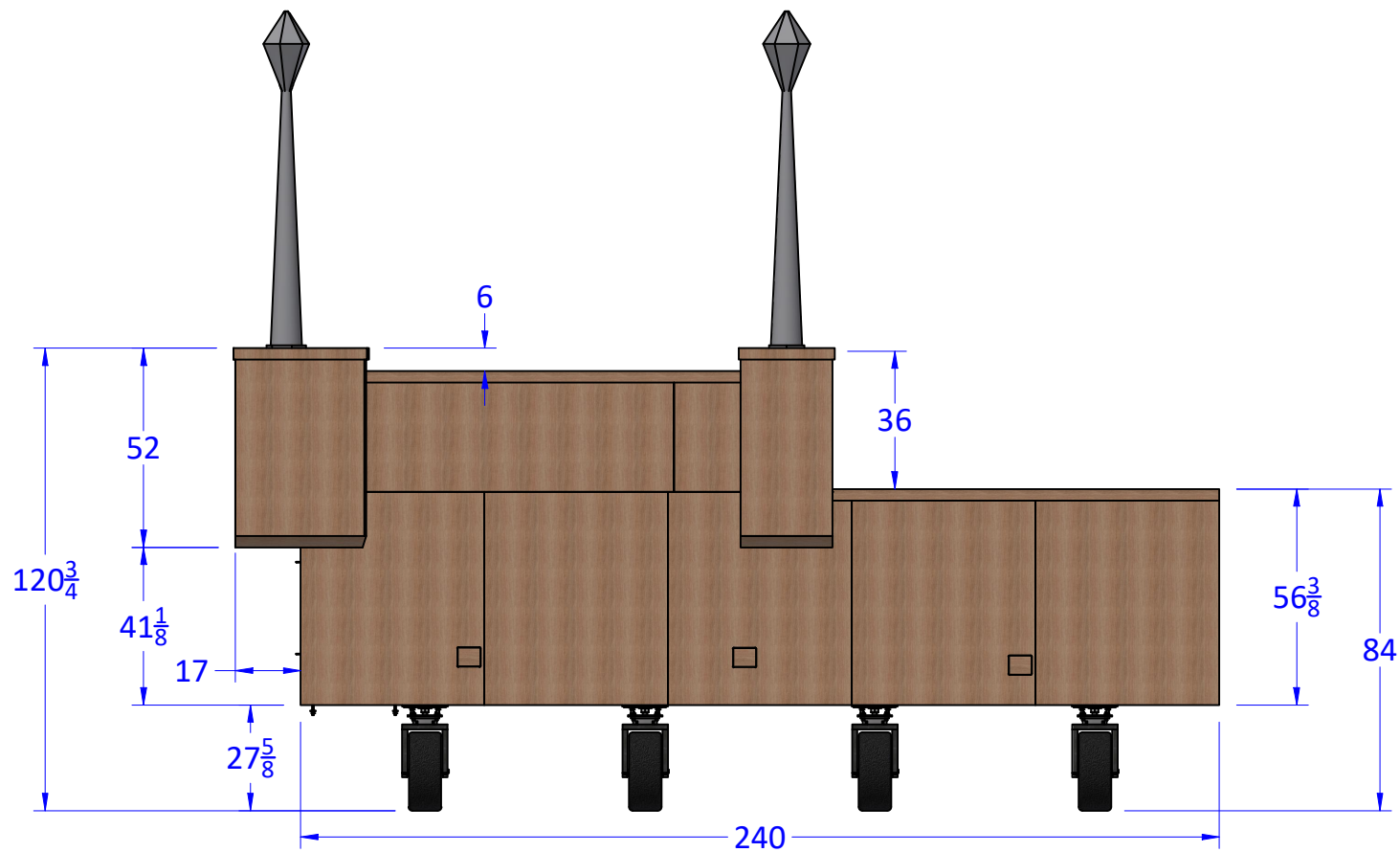
Scale: 1/4"=1'-0"

Build x1 Unit



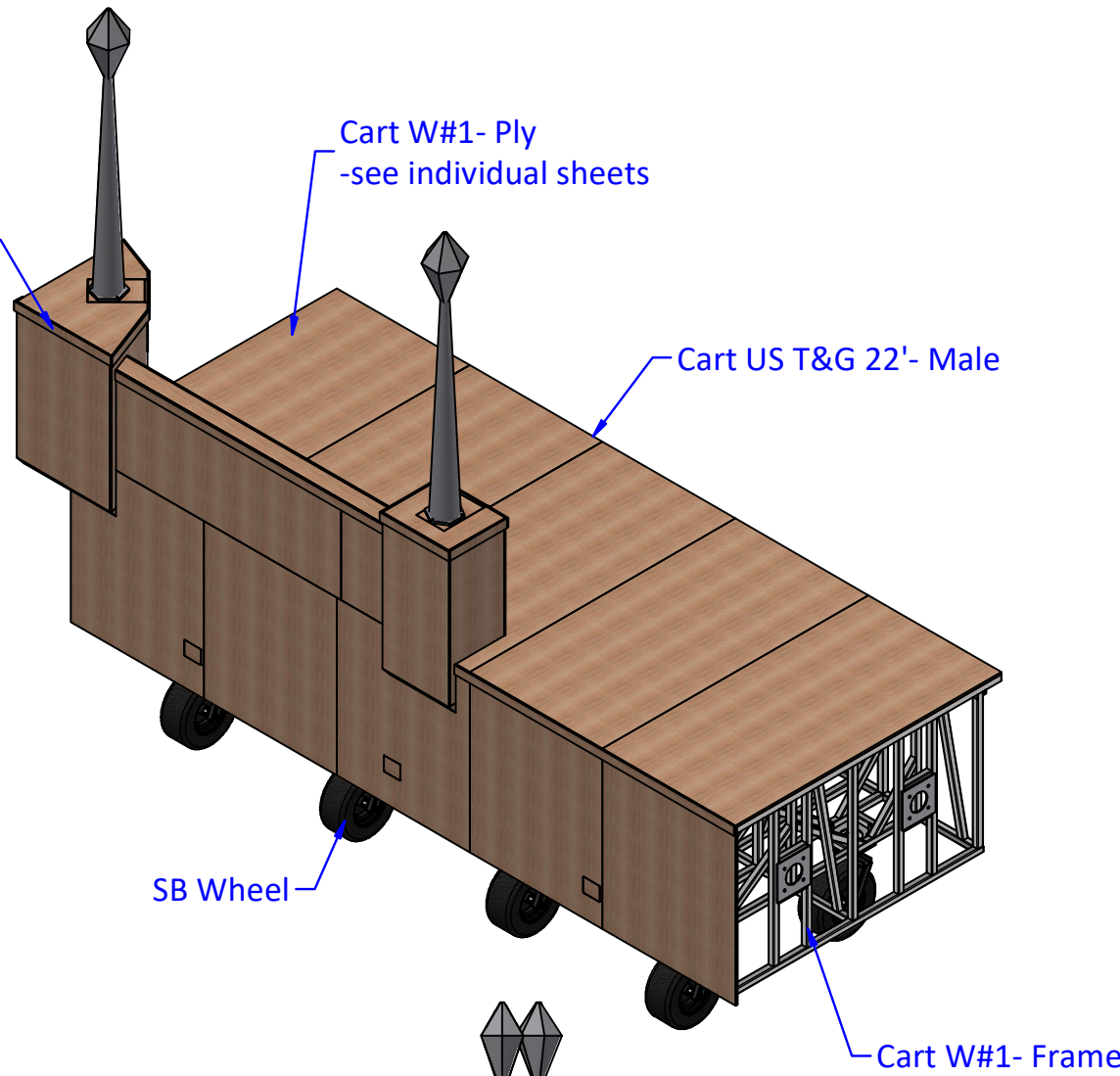
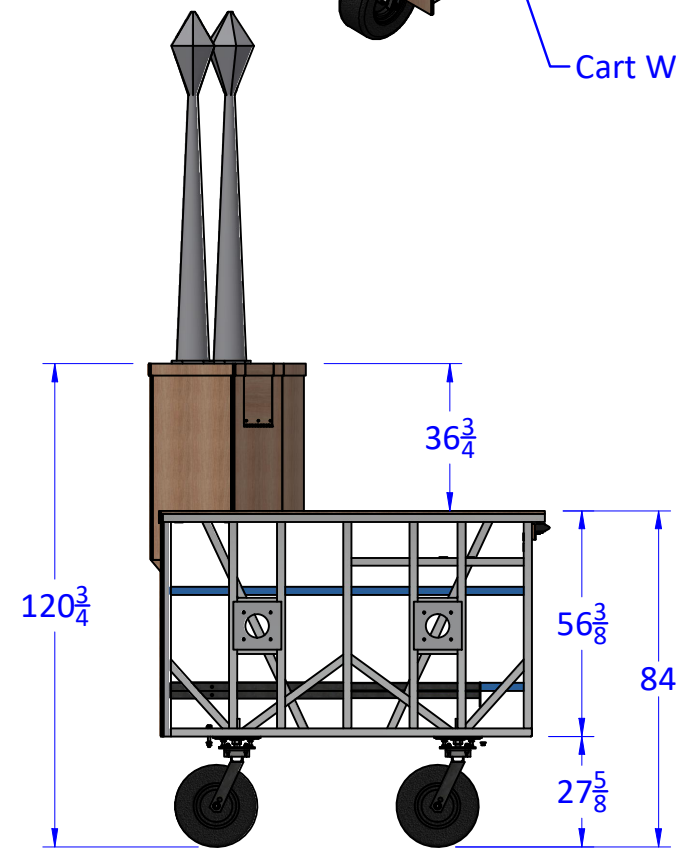
Top View

Front View



Front View

Side View



Project:
**SB LX HT- Wedding
Wedding Stage & Nuevayol**

Project Number:
EF260001

Release Date: 12/18/2025
Drawn By: Genesis A

Sheet: 4 of 17
Scale: As Noted on 11x17 Page

Estimated Weight:
1948 lbmass

General Notes:

Date: _____ Drawn By: Genesis A

Drawing History



This drawing is the property of All Access Staging and Productions, Inc. and can not be duplicated, modified or used for any other purpose without written permission from All Access Staging and Productions, Inc. Use of this drawing for bidding is strictly prohibited. Verify all Dimensions, specifications and conditions before using this drawing for construction.
This drawing is CONFIDENTIAL and should not be disclosed to a 3rd party without written permission from All Access Staging and Productions, Inc.

Sheet 5

SB LX HT- Wedding Cart W#2

Scale: 3/8"=1'-0"

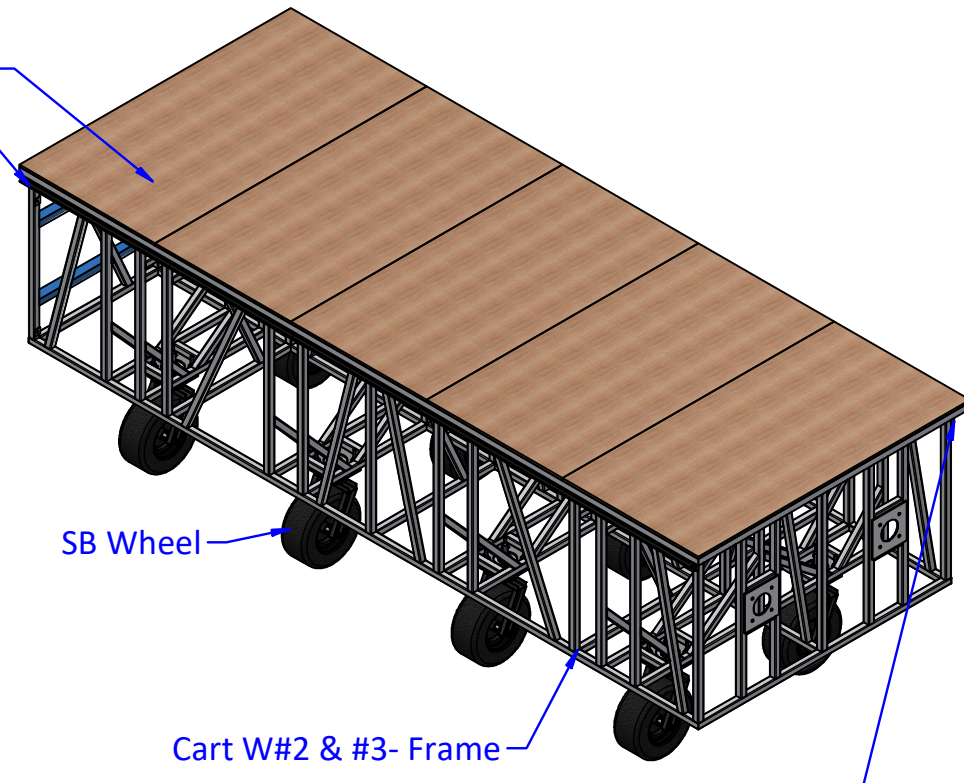
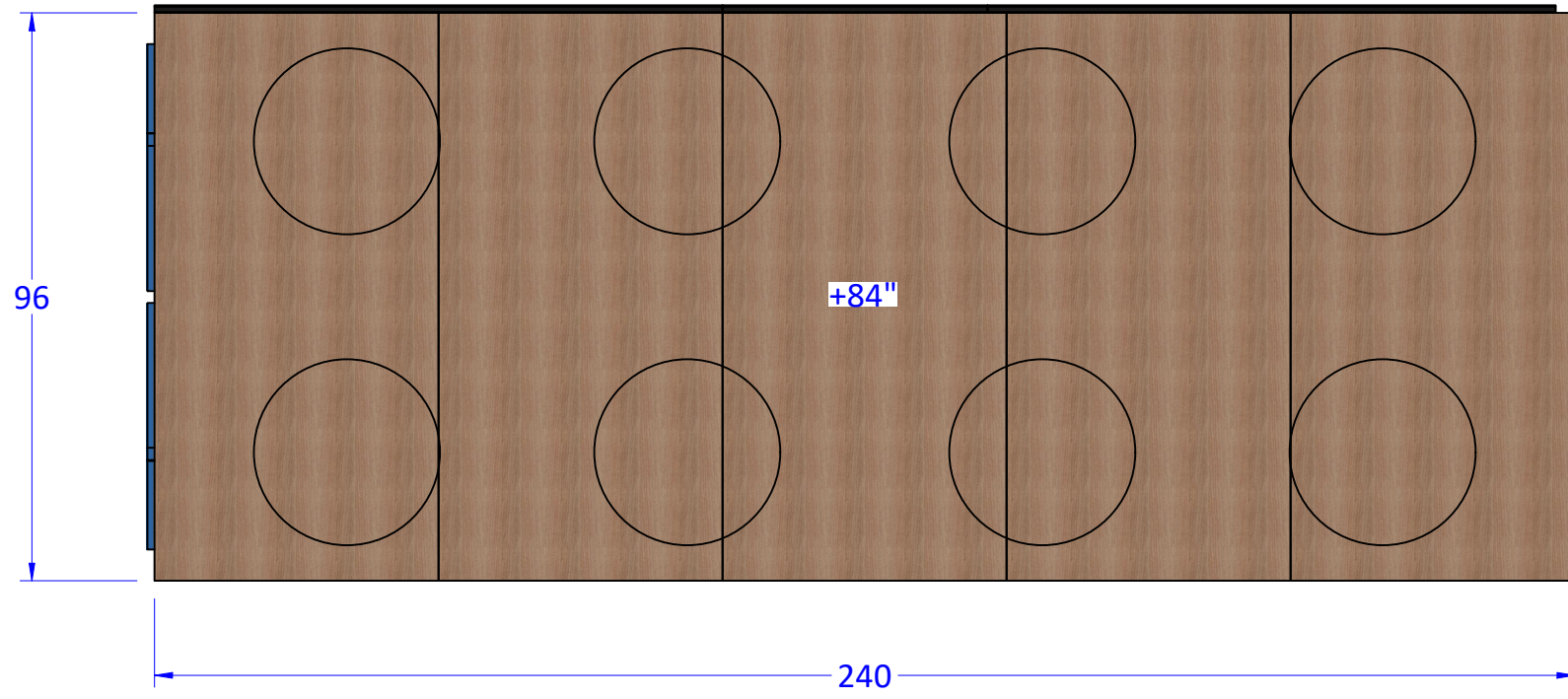
Build x1 Unit

Cart W#2 & #3- Ply
-see individual sheets
Cart DS T&G 20'- Female

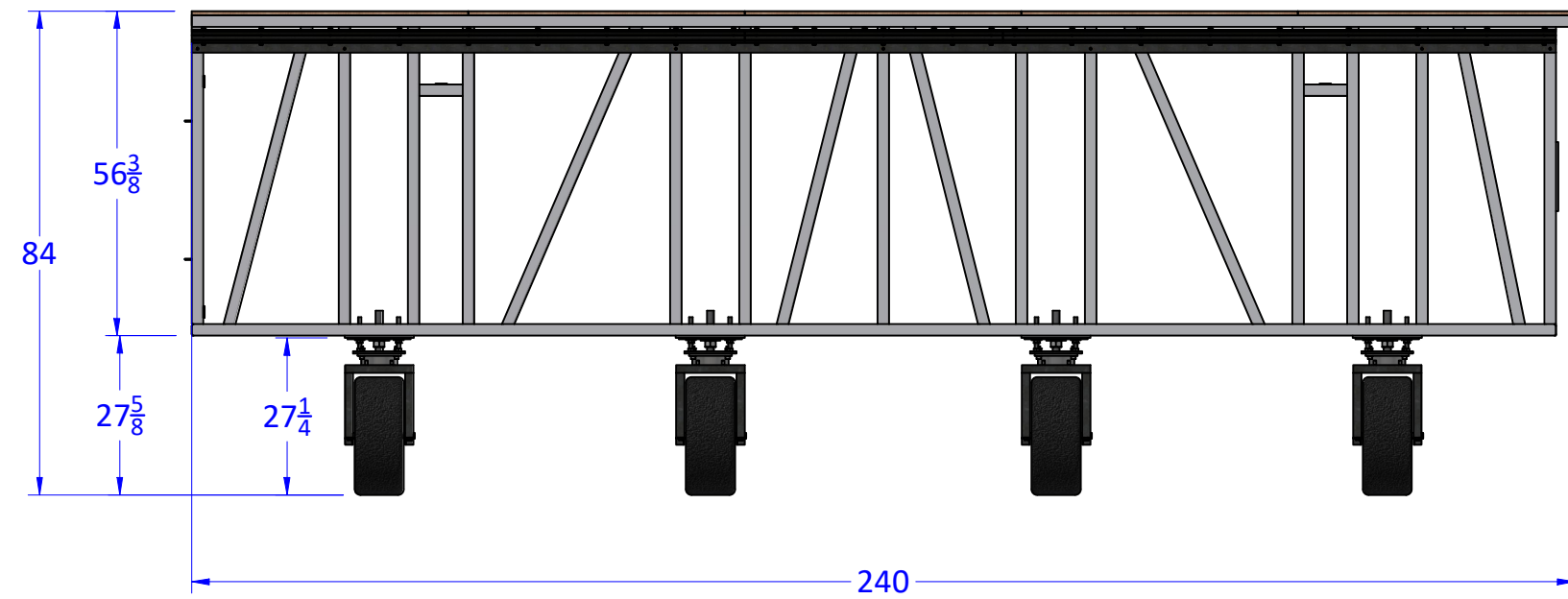
SB Wheel

Cart W#2 & #3- Frame

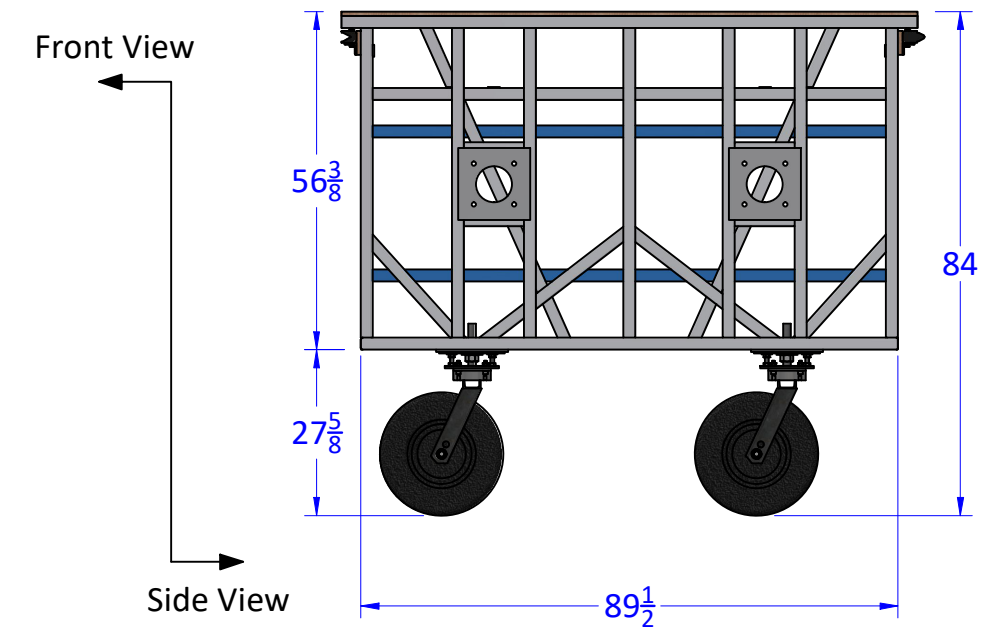
Cart US T&G 20'- Male



Front View



Front View



Project:
**SB LX HT- Wedding
Wedding Stage & Nuevayol**

Project Number:
EF260001

Release Date: 12/18/2025
Drawn By: Genesis A

Sheet: 5 of 17
Scale: As Noted on 11x17 Page

Estimated Weight:
1461 lbmass

General Notes:

Date: _____ Drawn By: Genesis A

Drawing History



This drawing is the property of All Access Staging and Productions, Inc. and can not be duplicated, modified or used for any other purpose without written permission from All Access Staging and Productions, Inc. Use of this drawing for bidding is strictly prohibited. Verify all Dimensions, specifications and conditions before using this drawing for construction.

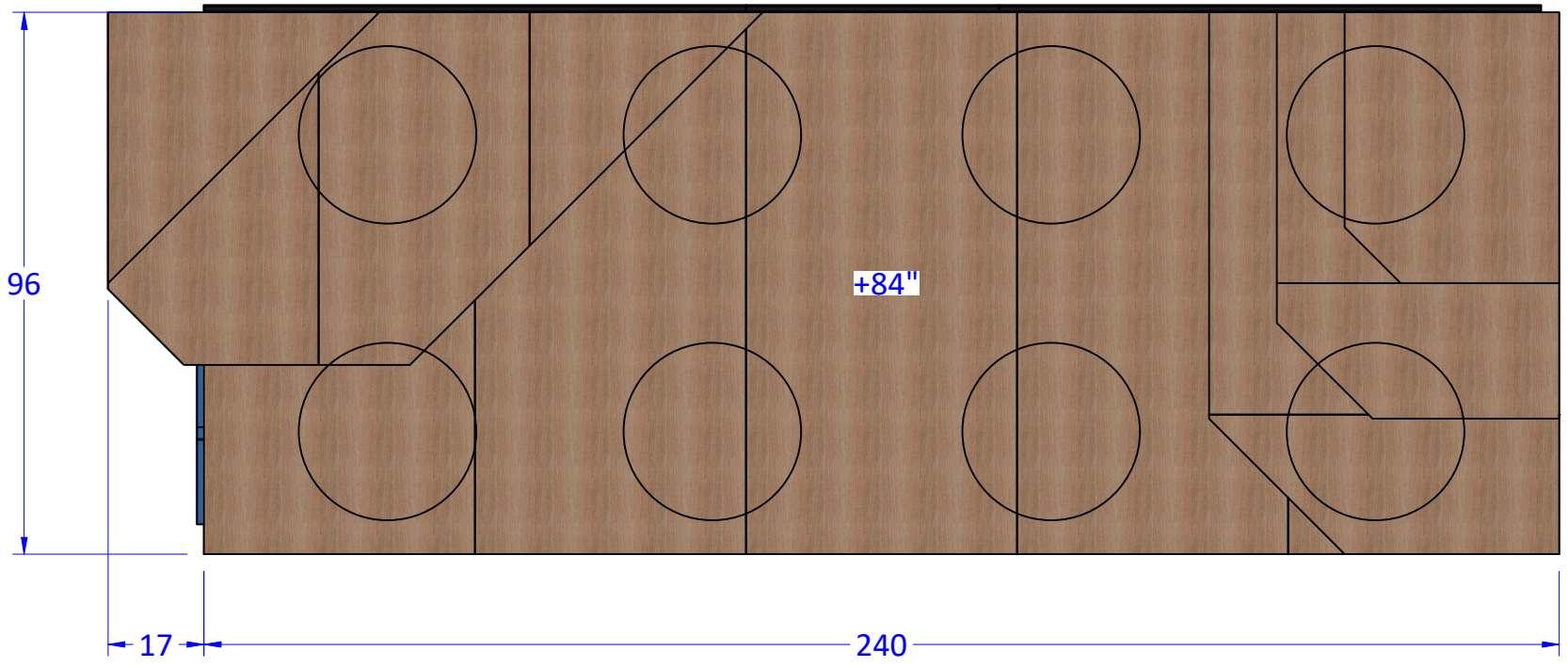
This drawing is CONFIDENTIAL and should not be disclosed to a 3rd party without written permission from All Access Staging and Productions, Inc.

Sheet 6

SB LX HT- Wedding Cart W#3

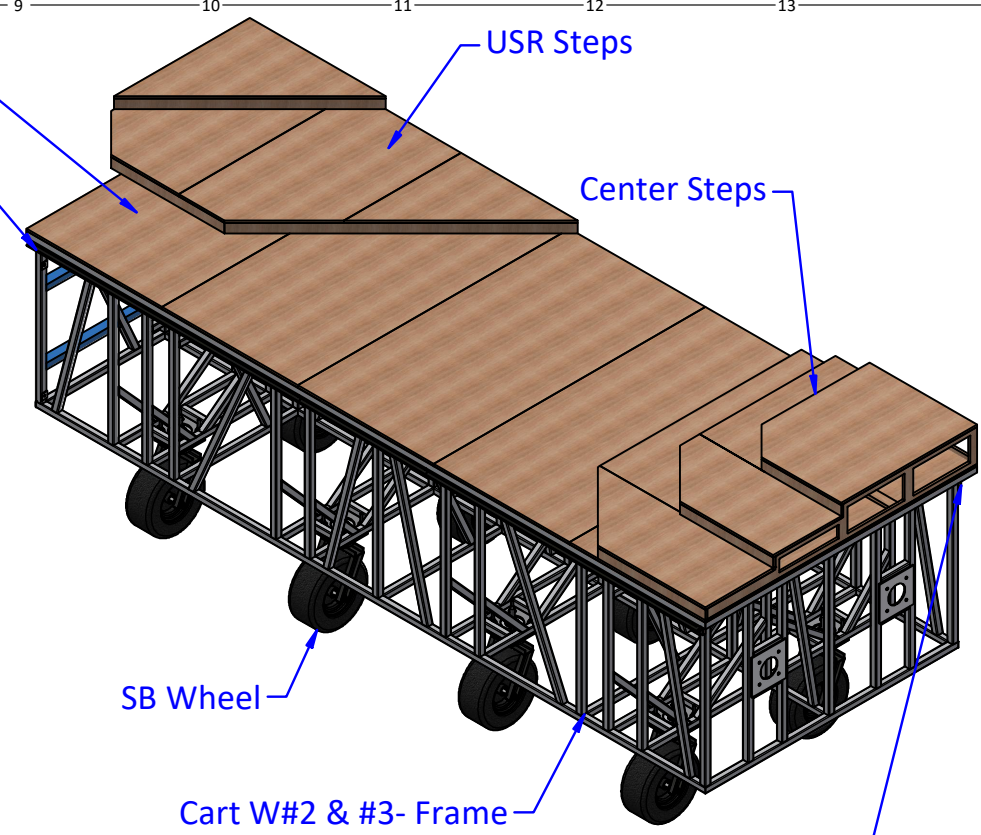
Scale: 3/8"=1'-0"

Build x1 Unit



Cart W#2 & #3- Ply
-see individual sheets

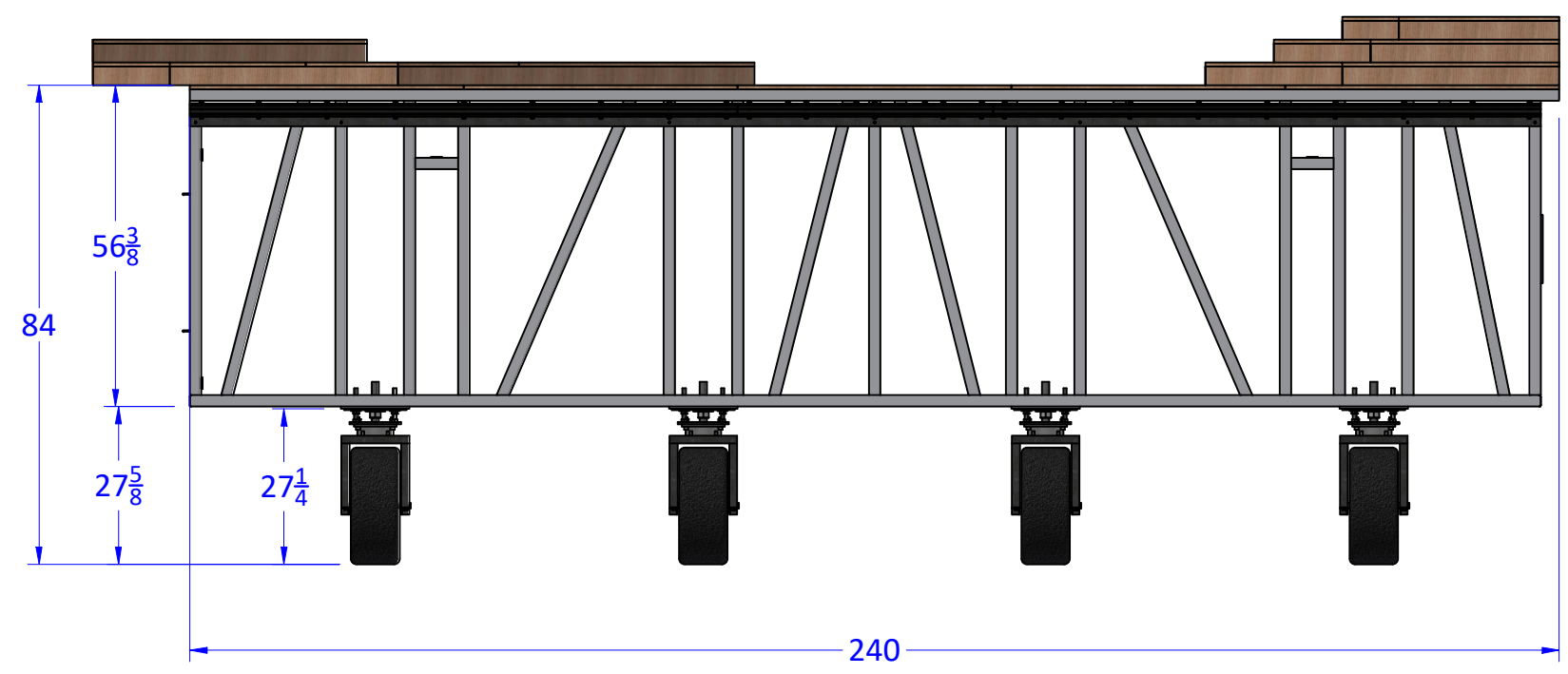
Cart DS T&G 20'- Female



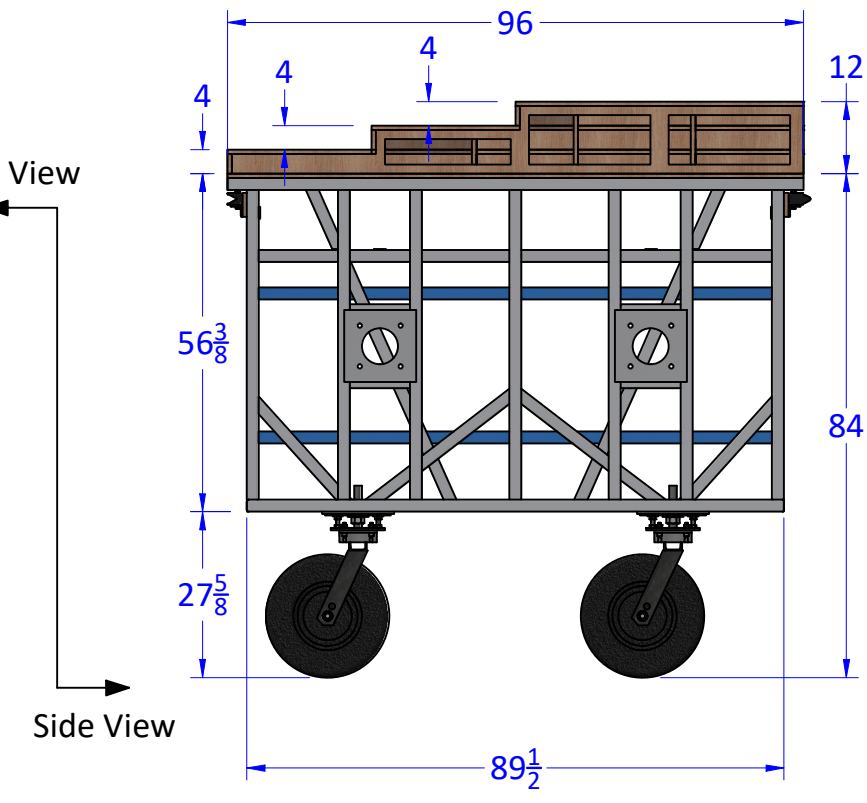
Cart US T&G 20'- Male

Top View

Front View



Front View



Side View

Project:
**SB LX HT- Wedding
Wedding Stage & Nuevayol**

Project Number:
EF260001

Release Date: 12/18/2025
Drawn By: Genesis A

Sheet: 6 of 17
Scale: As Noted on 11x17 Page

Estimated Weight:
1772 lbmass

General Notes:

Date: _____ Drawn By: Genesis A

Drawing History



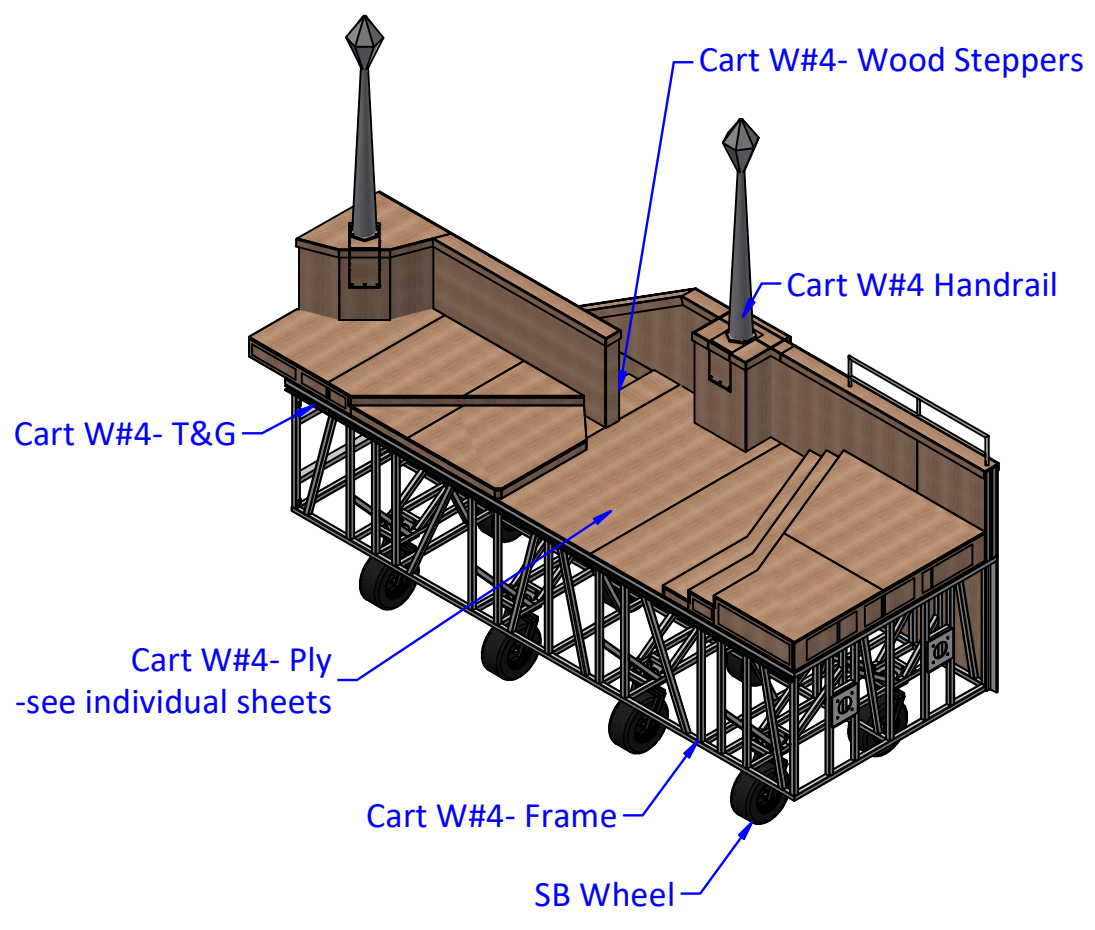
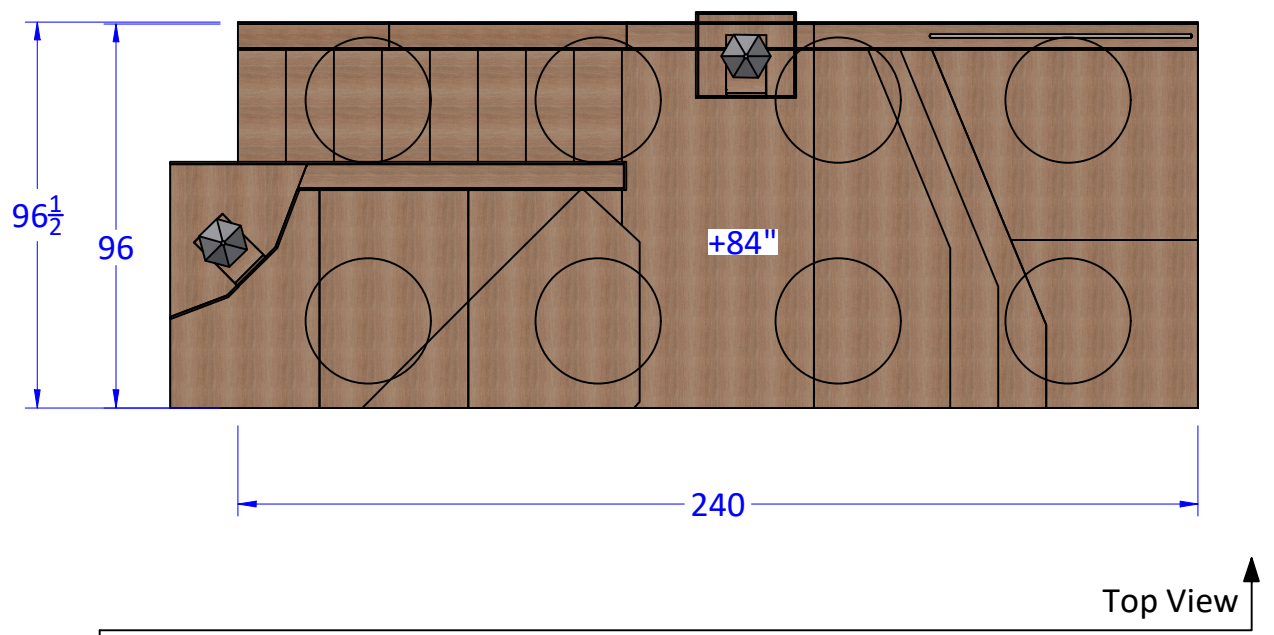
This drawing is the property of All Access Staging and Productions, Inc. and can not be duplicated, modified or used for any other purpose without written permission from All Access Staging and Productions, Inc. Use of this drawing for bidding is strictly prohibited. Verify all Dimensions, specifications and conditions before using this drawing for construction.

This drawing is CONFIDENTIAL and should not be disclosed to a 3rd party without written permission from All Access Staging and Productions, Inc.

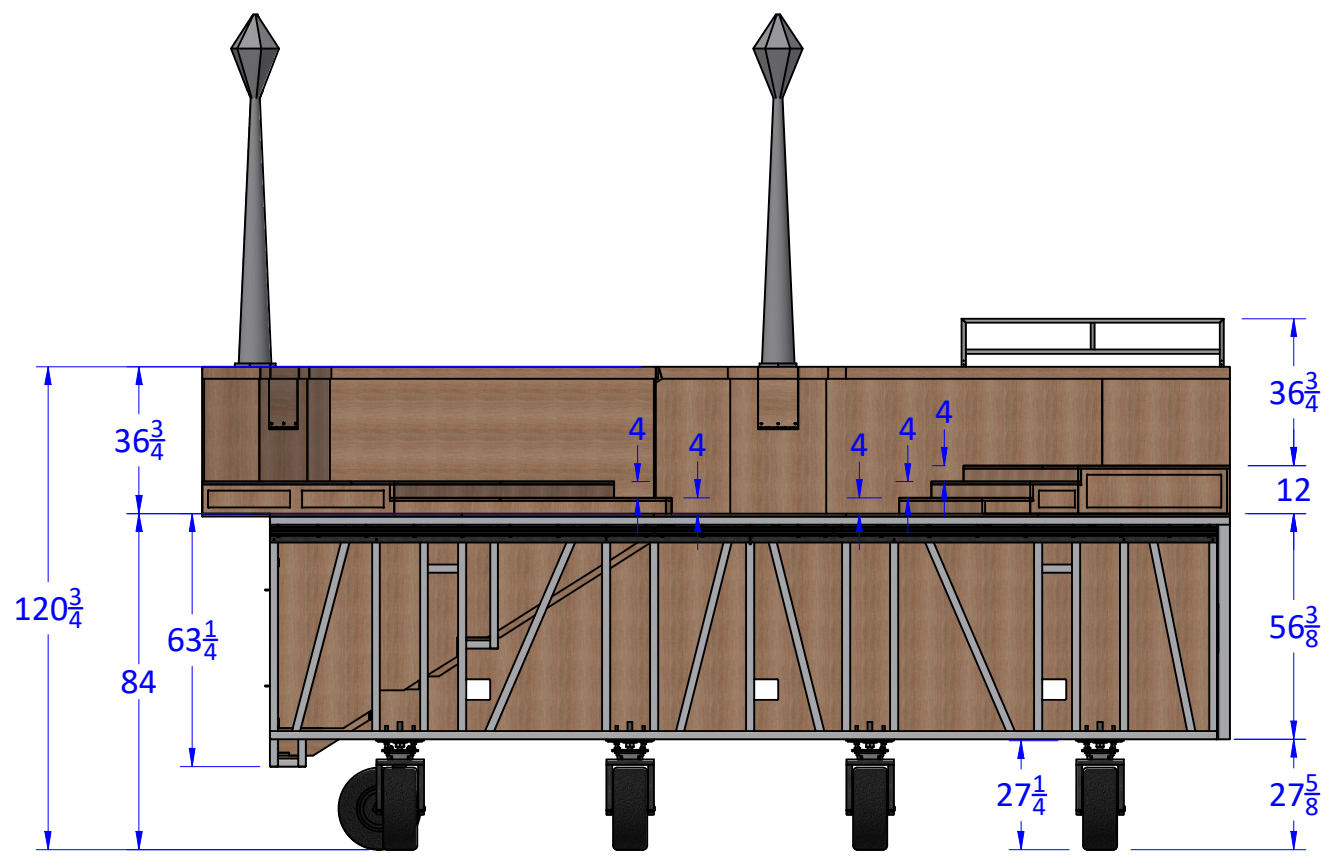
SB LX HT- Wedding Cart W#4

Scale: 1/4"=1'-0"

Build x1 Unit

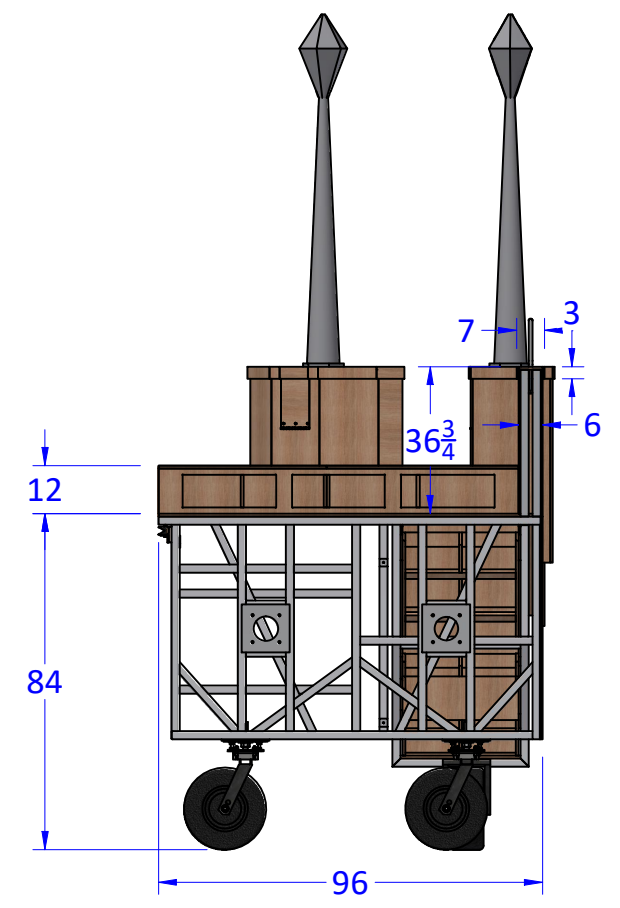


Front View



Front View

Side View



Project:
SB LX HT- Wedding
Wedding Stage & Nuevayol

Project Number:
EF260001

Release Date: 12/18/2025
Drawn By: Genesis A

Sheet: 7 of 17
Scale: As Noted on 11x17 Page

Estimated Weight:
2550 lbmass

General Notes:

Date: _____ Drawn By: Genesis A

Drawing History



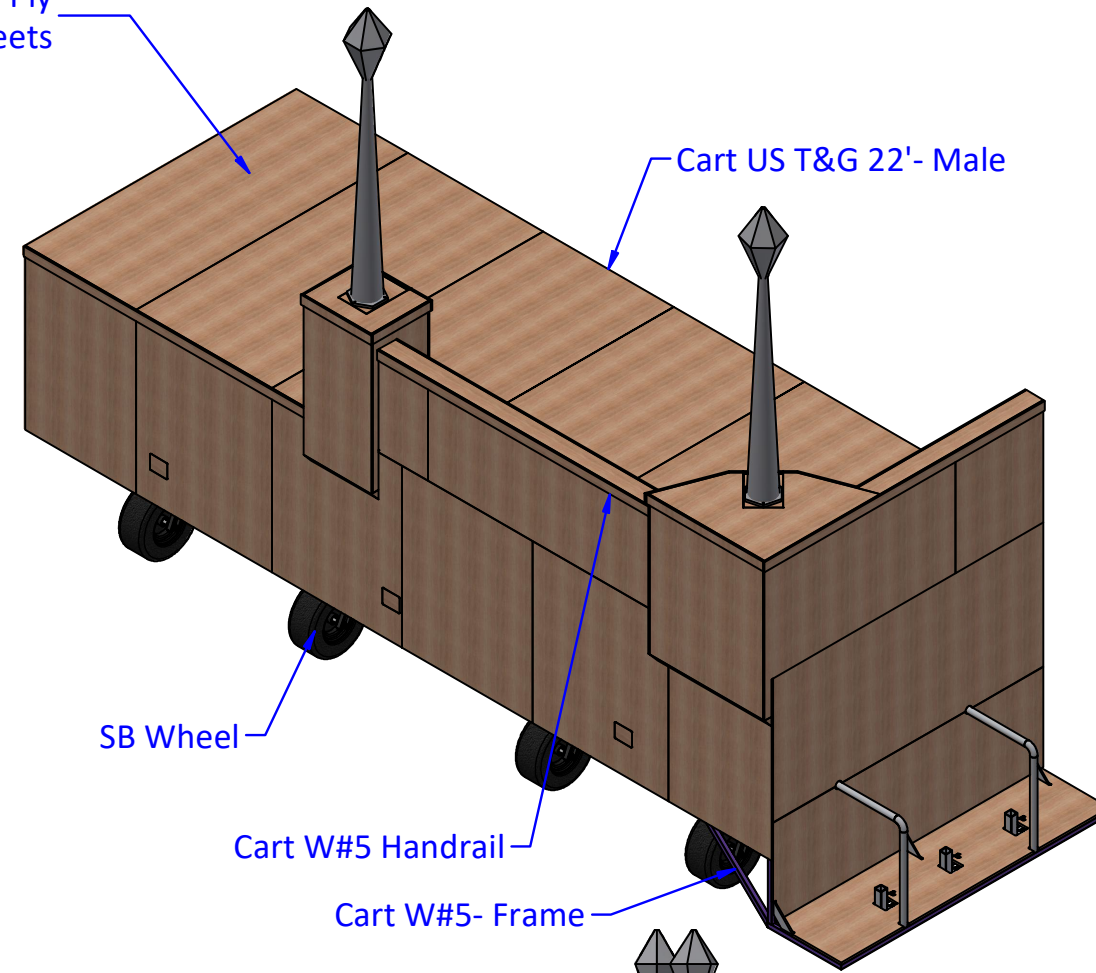
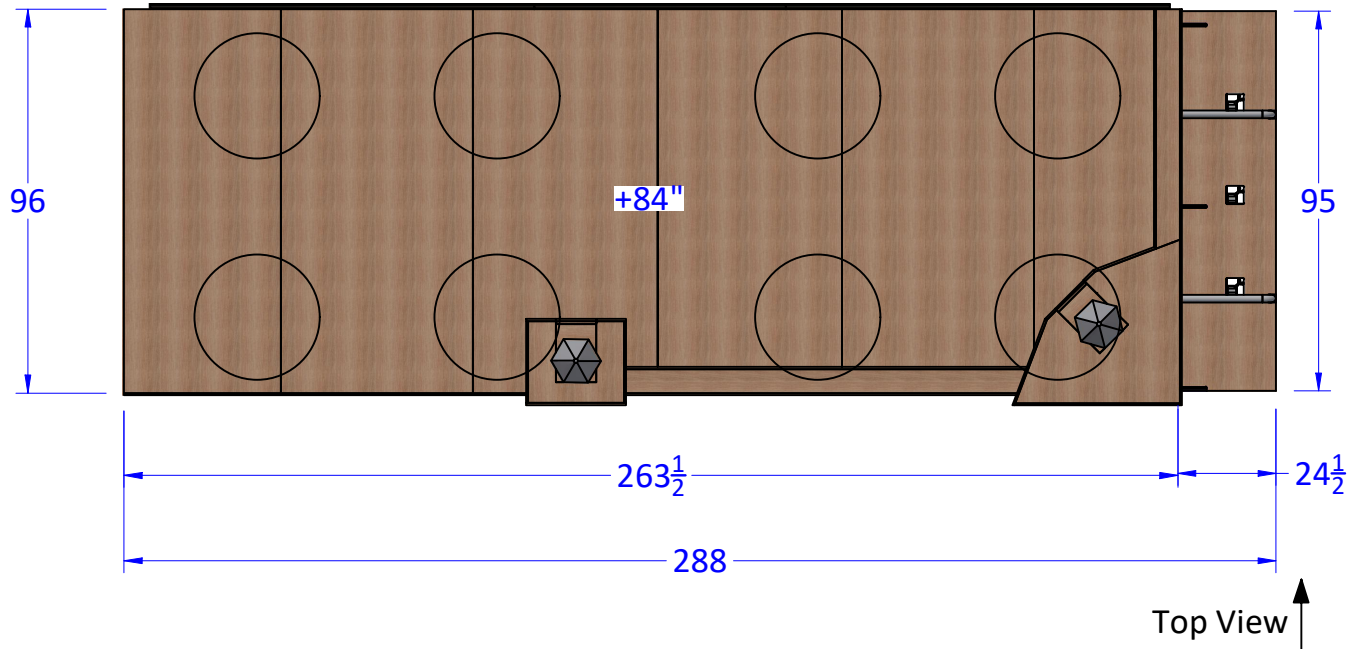
This drawing is the property of All Access Staging and Productions, Inc. and can not be duplicated, modified or used for any other purpose without written permission from All Access Staging and Productions, Inc. Use of this drawing for bidding is strictly prohibited. Verify all Dimensions, specifications and conditions before using this drawing for construction.
This drawing is CONFIDENTIAL and should not be disclosed to a 3rd party without written permission from All Access Staging and Productions, Inc.

SB LX HT- Wedding Cart W#5

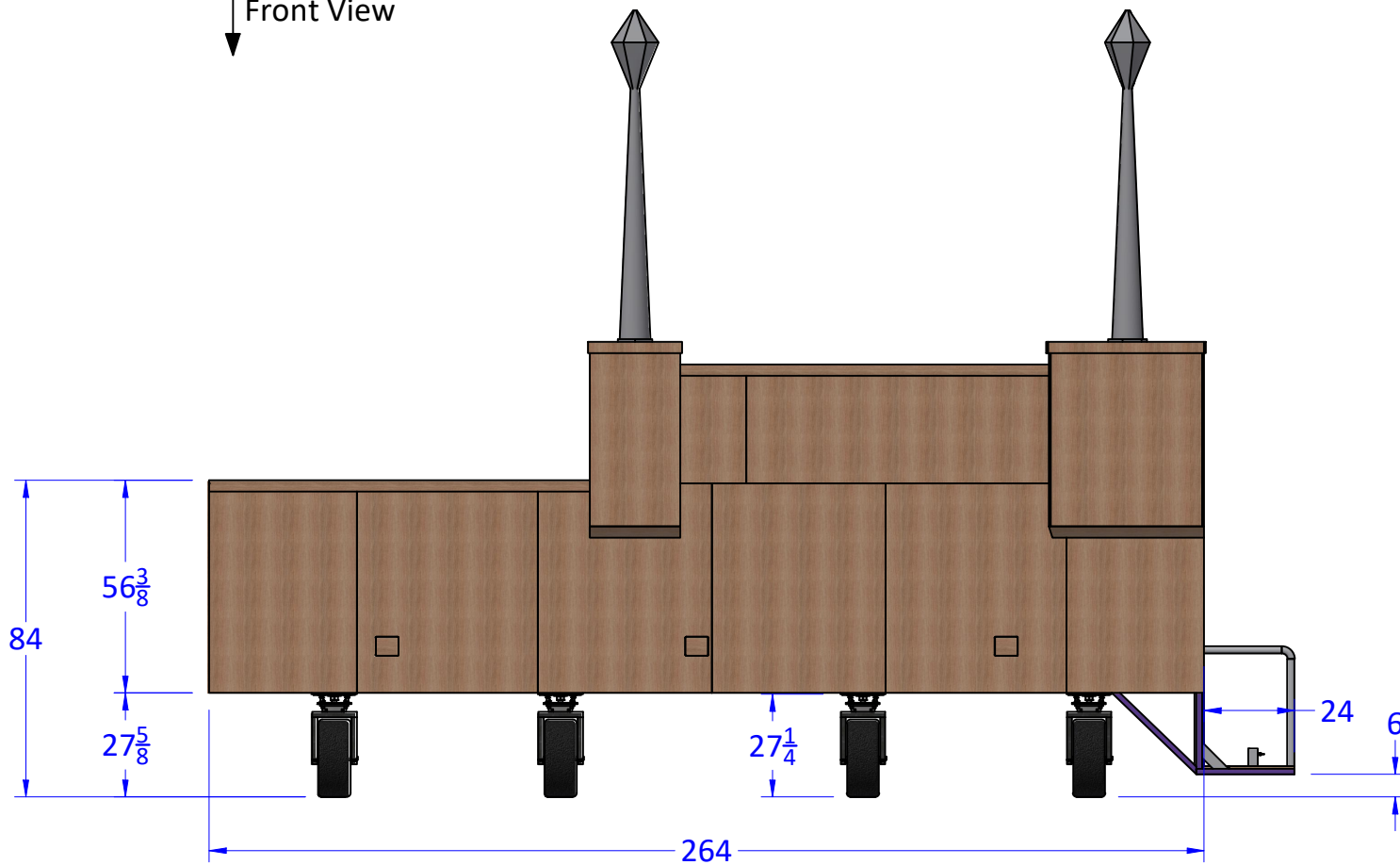
Scale: 1/4"=1'-0"

Build x1 Unit

Cart W#5- Ply
-see individual sheets

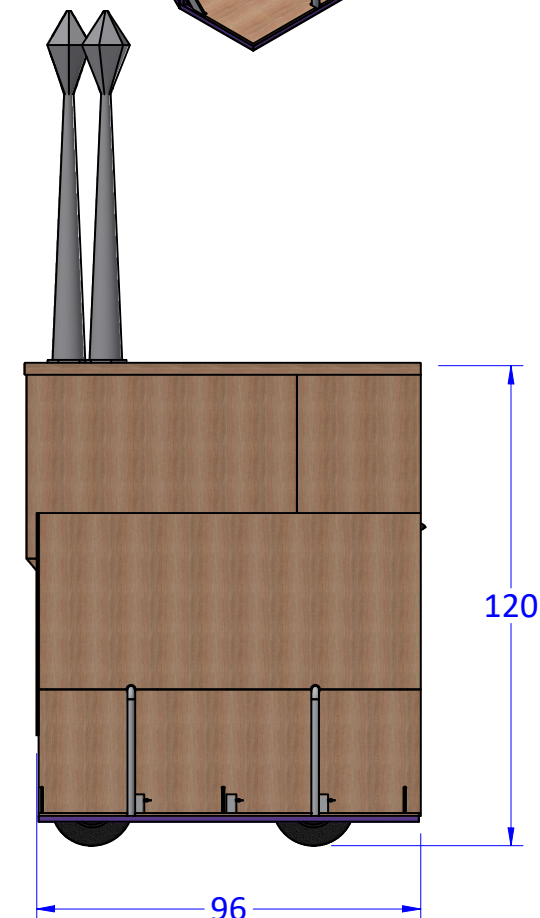


Front View



Front View

Side View



Project:
**SB LX HT- Wedding
Wedding Stage & Nuevayol**

Project Number:
EF260001

Release Date: **12/18/2025** Drawn By: **Genesis A**

Sheet: **8 of 17** Scale: **As Noted on 11x17 Page**

Estimated Weight:
2260 lbmass

General Notes:

Date:	Drawn By:
	Genesis A
.....	
.....	
.....	
.....	
.....	
.....	
.....	
.....	
.....	



This drawing is the property of All Access Staging and Productions, Inc. and can not be duplicated, modified or used for any other purpose without written permission from All Access Staging and Productions, Inc. Use of this drawing for bidding is strictly prohibited. Verify all Dimensions, specifications and conditions before using this drawing for construction.

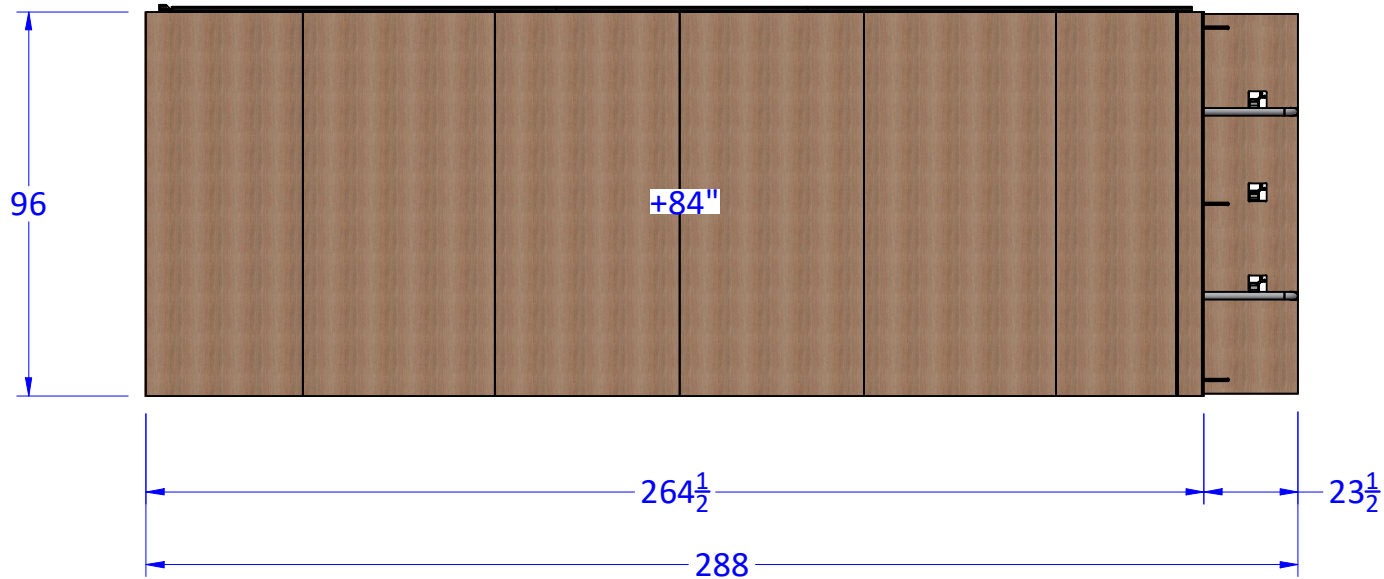
This drawing is CONFIDENTIAL and should not be disclosed to a 3rd party without written permission from All Access Staging and Productions, Inc.

Sheet 9

SB LX HT- Wedding Cart W#6

Scale: 1/4"=1'-0"

Build x1 Unit



Cart W#6 & #7- Ply
-see individual sheets

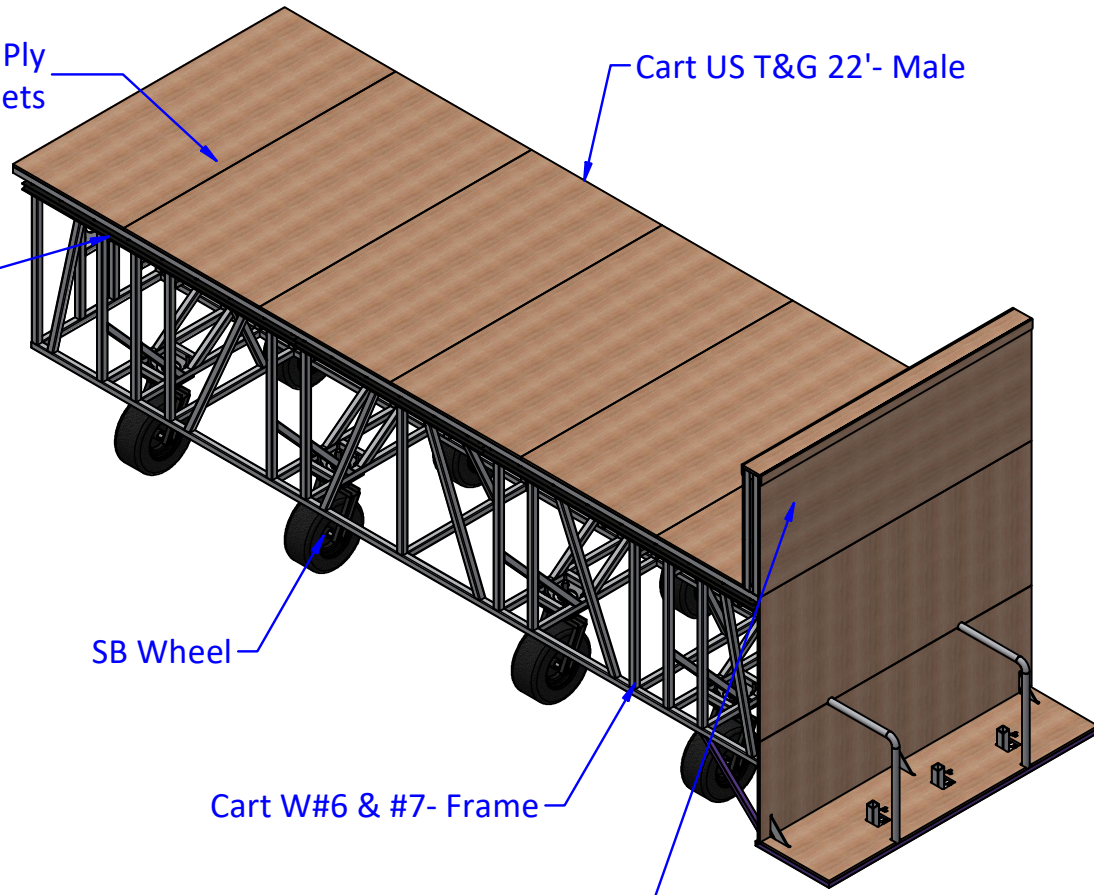
Cart US T&G 22'- Male

Cart DS T&G 22'- Female

SB Wheel

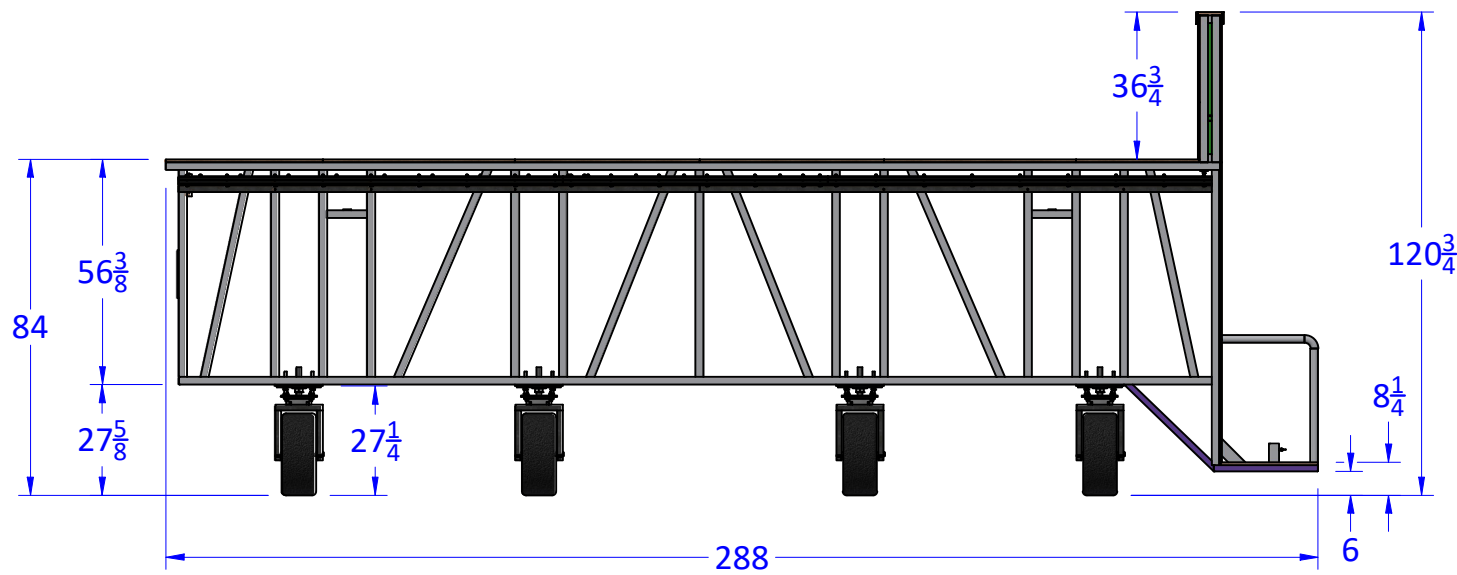
Cart W#6 & #7- Frame

Cart w#6 & #7 Handrail



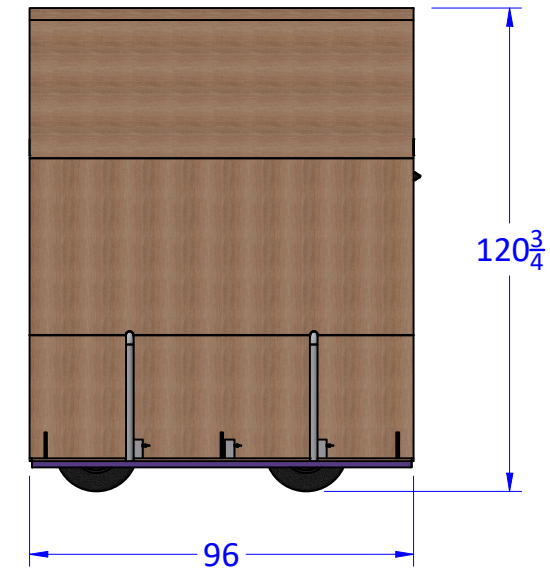
Top View

Front View



Front View

Side View



Project:
**SB LX HT- Wedding
Wedding Stage & Nuevayol**

Project Number:
EF260001

Release Date: **12/18/2025** Drawn By: **Genesis A**

Sheet: **9 of 17** Scale: **As Noted on 11x17 Page**

Estimated Weight:
1998 lbmass

General Notes:

Date: Drawn By:
Genesis A

Drawing History



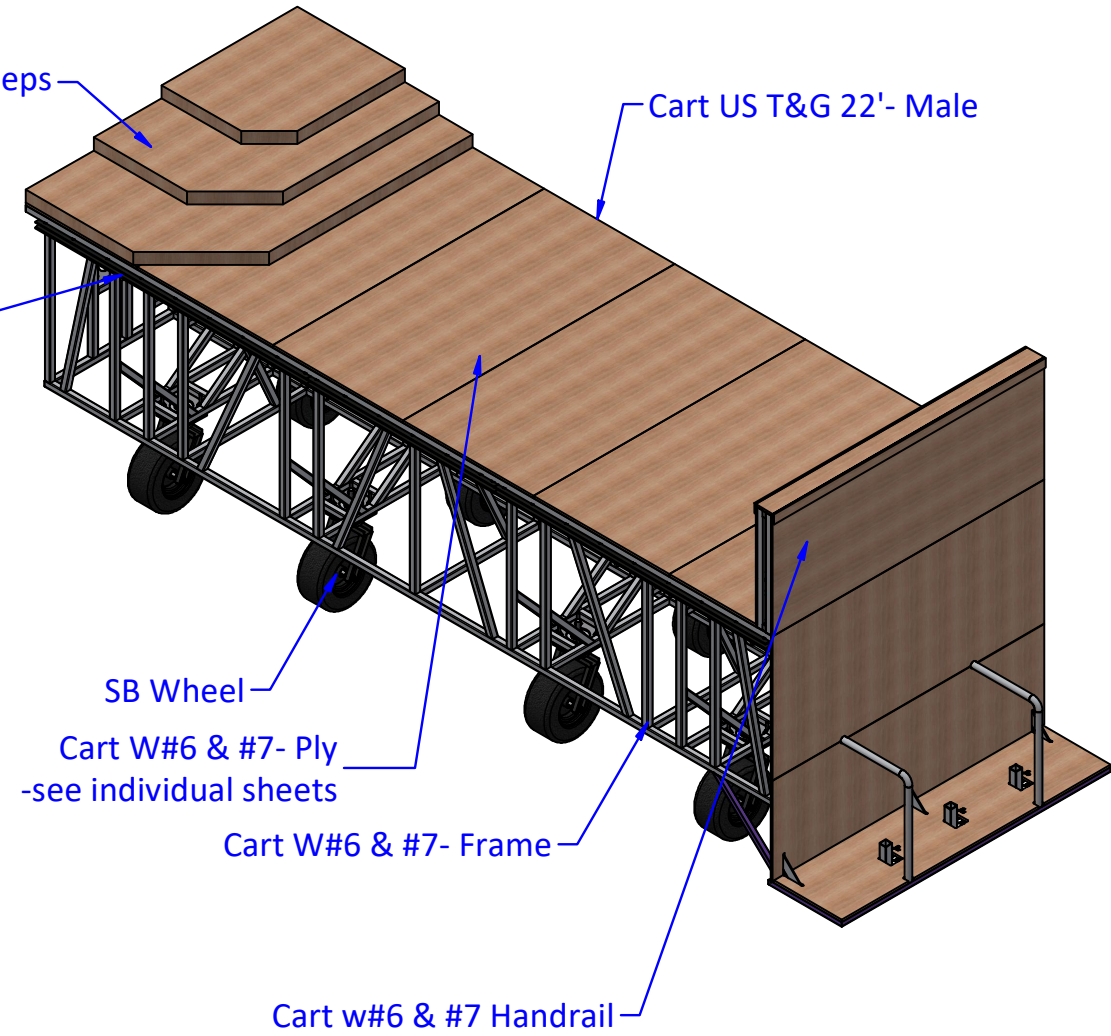
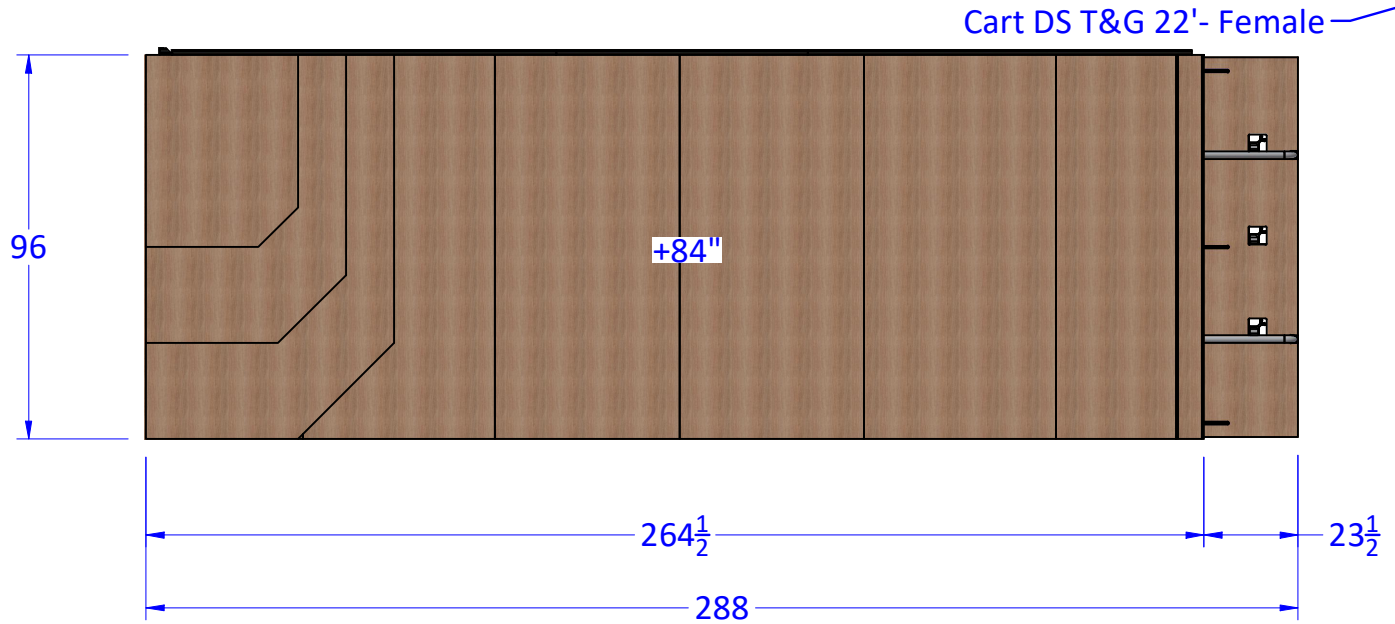
This drawing is the property of All Access Staging and Productions, Inc. and can not be duplicated, modified or used for any other purpose without written permission from All Access Staging and Productions, Inc. Use of this drawing for bidding is strictly prohibited. Verify all Dimensions, specifications and conditions before using this drawing for construction.

This drawing is CONFIDENTIAL and should not be disclosed to a 3rd party without written permission from All Access Staging and Productions, Inc.

SB LX HT- Wedding Cart W#7

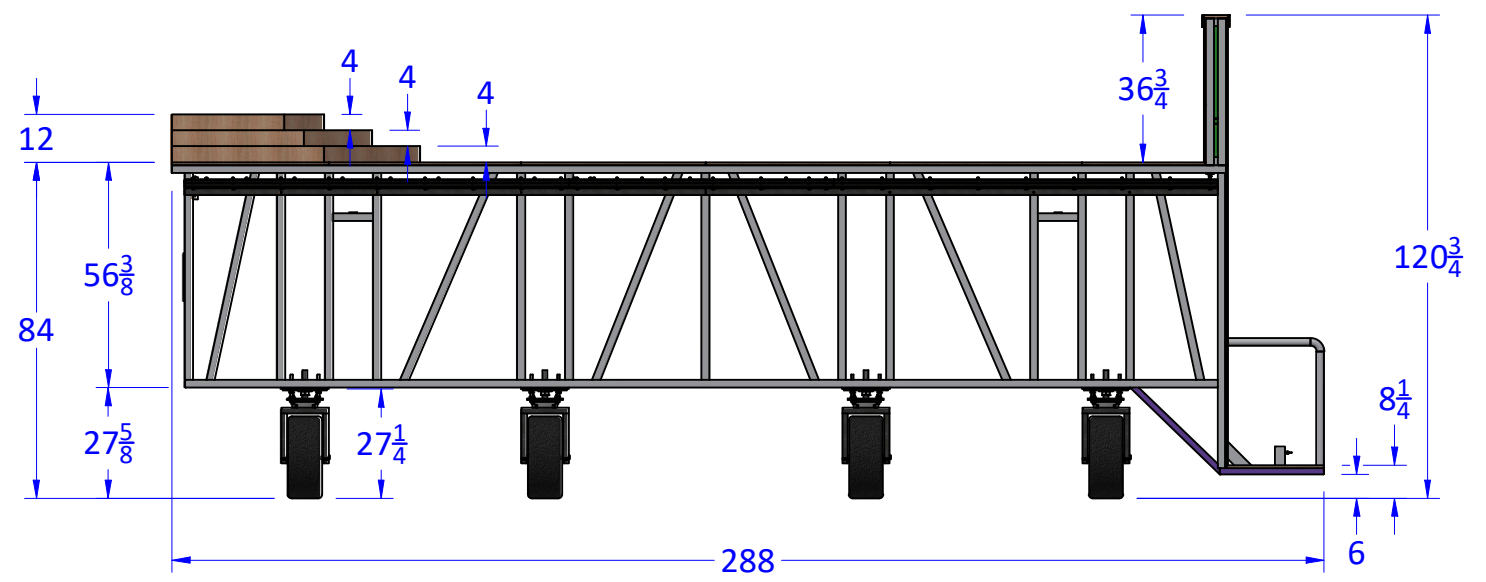
Scale: 1/4"=1'-0"

Build x1 Unit



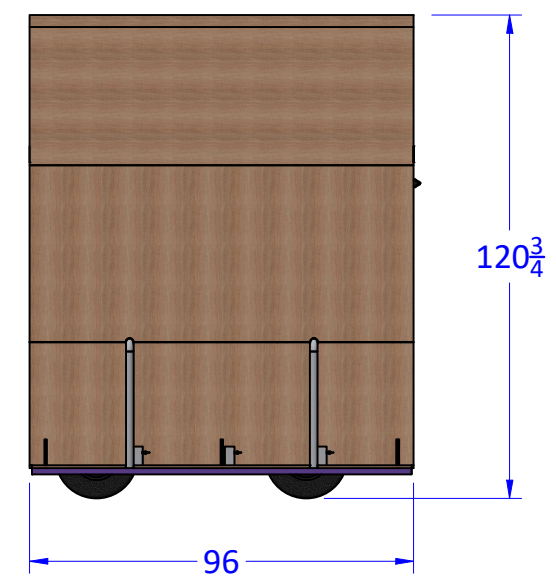
Top View

Front View



Front View

Side View



Project:
**SB LX HT- Wedding
Wedding Stage & Nuevayol**

Project Number:
EF260001

Release Date: 12/18/2025
Drawn By: Genesis A

Sheet: 10 of 17
Scale: As Noted on 11x17 Page

Estimated Weight:
2142 lbmass

General Notes:

Date: _____ Drawn By: Genesis A

Drawing History



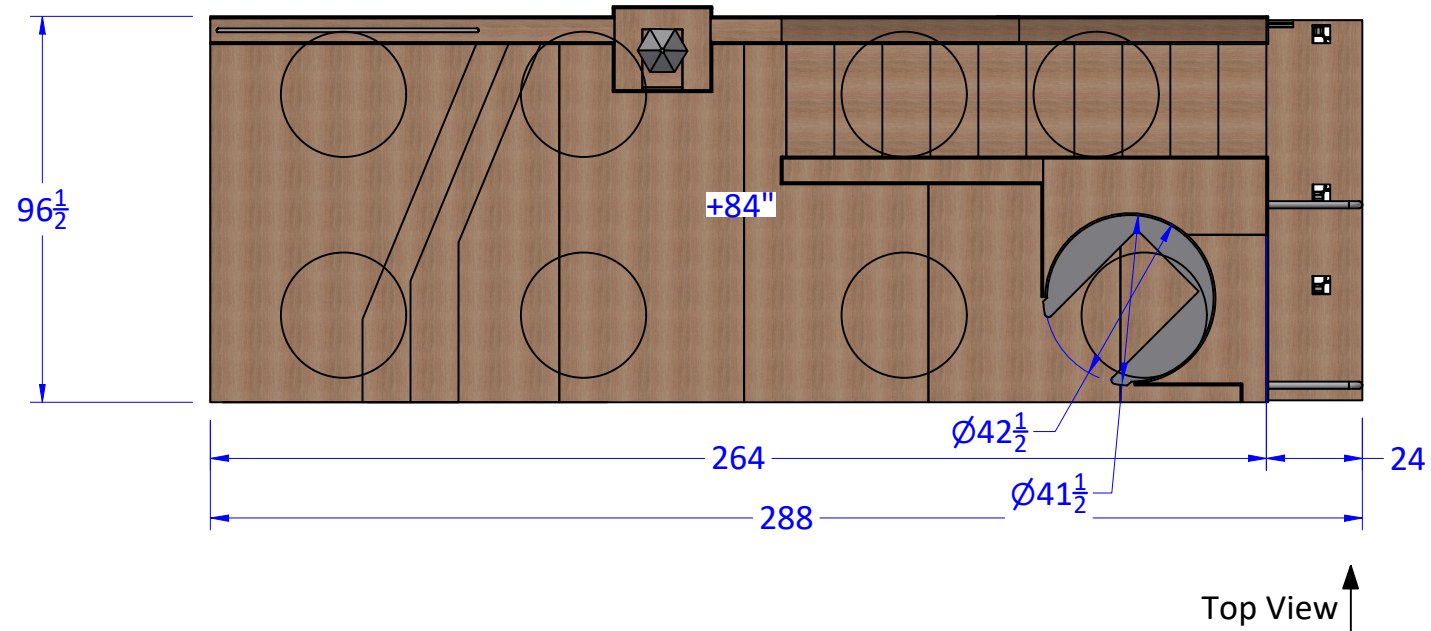
This drawing is the property of All Access Staging and Productions, Inc. and can not be duplicated, modified or used for any other purpose without written permission from All Access Staging and Productions, Inc. Use of this drawing for bidding is strictly prohibited. Verify all Dimensions, specifications and conditions before using this drawing for construction.
This drawing is CONFIDENTIAL and should not be disclosed to a 3rd party without written permission from All Access Staging and Productions, Inc.

Sheet 11

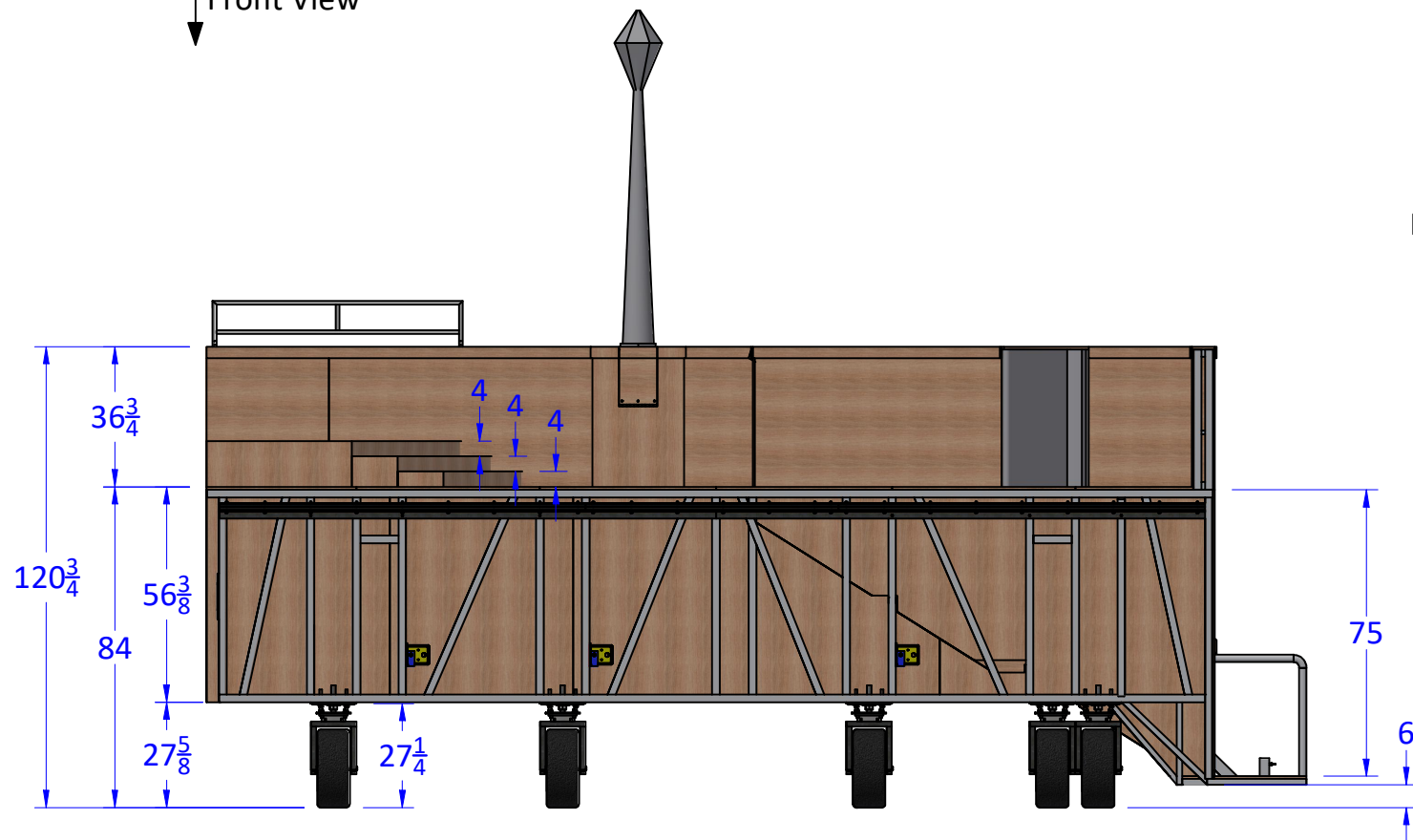
SB LX HT- Wedding Cart W#8

Scale: 1/4"=1'-0"

Build x1 Unit

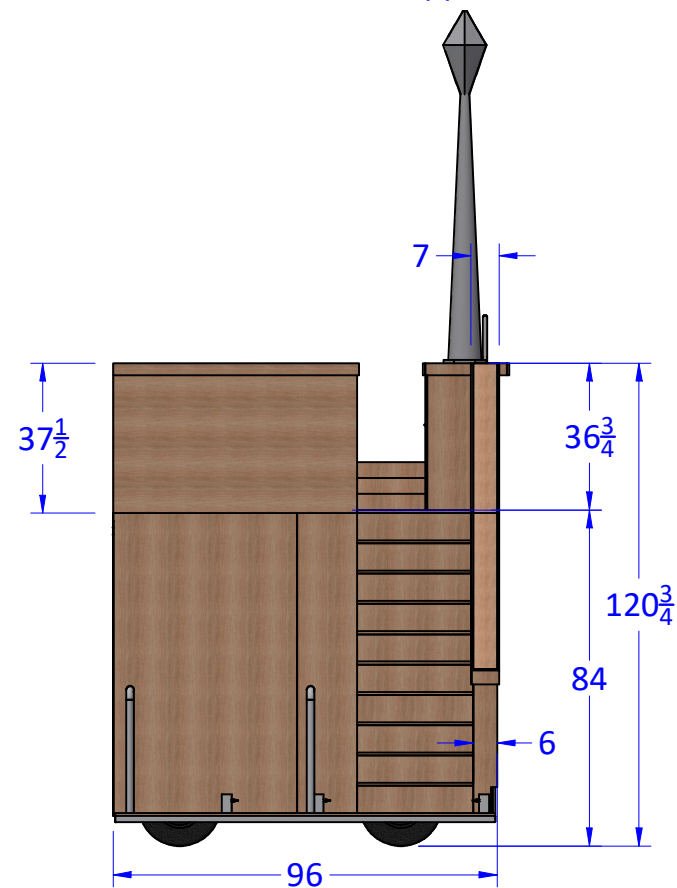


Front View



Front View

Side View



Cart W#8- Ply
-see individual sheets

Cart W#8- T&G

Cart W#8 Handrail

Cart W#8- Frame

SB Wheel 20.5" (x7)

Cart W#8-
Wood Steppers

ALLACCESS
ALLACCESSINC.COM

Project:
**SB LX HT- Wedding
Wedding Stage & Nuevayol**

Project Number:
EF260001

Release Date:
12/18/2025

Drawn By:
Genesis A

Sheet:
11 of 17

Scale:
As Noted on 11x17 Page

Estimated Weight:
2716 lbmass

General Notes:

Date: _____ Drawn By:
Genesis A

Drawing History

**Versa
Stage**

This drawing is the property of All Access Staging and Productions, Inc. and can not be duplicated, modified or used for any other purpose without written permission from All Access Staging and Productions, Inc. Use of this drawing for bidding is strictly prohibited. Verify all Dimensions, specifications and conditions before using this drawing for construction.

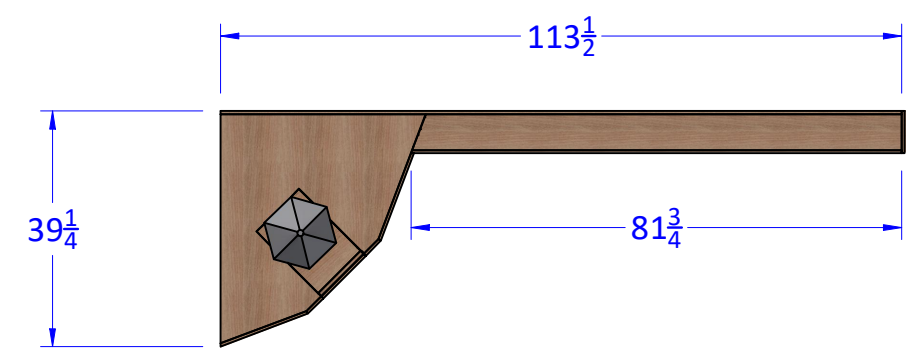
This drawing is CONFIDENTIAL and should not be disclosed to a 3rd party without written permission from All Access Staging and Productions, Inc.

Sheet 12

Wedding Stage- Handrail A Overview

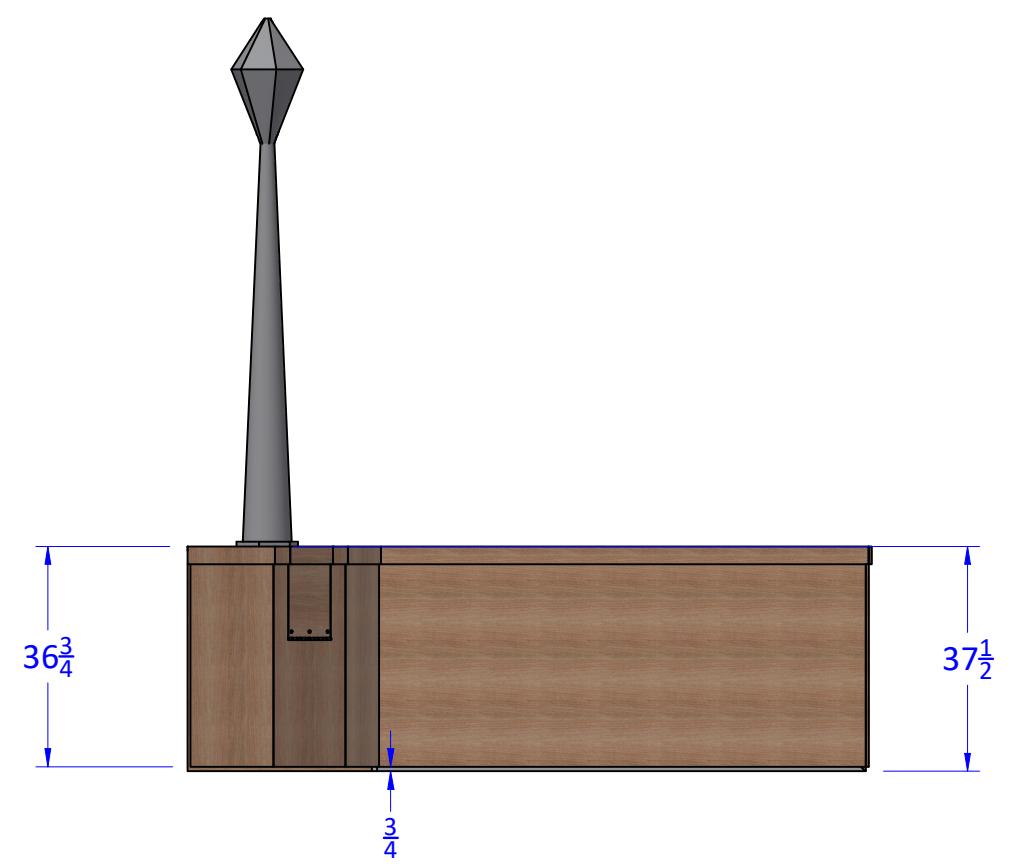
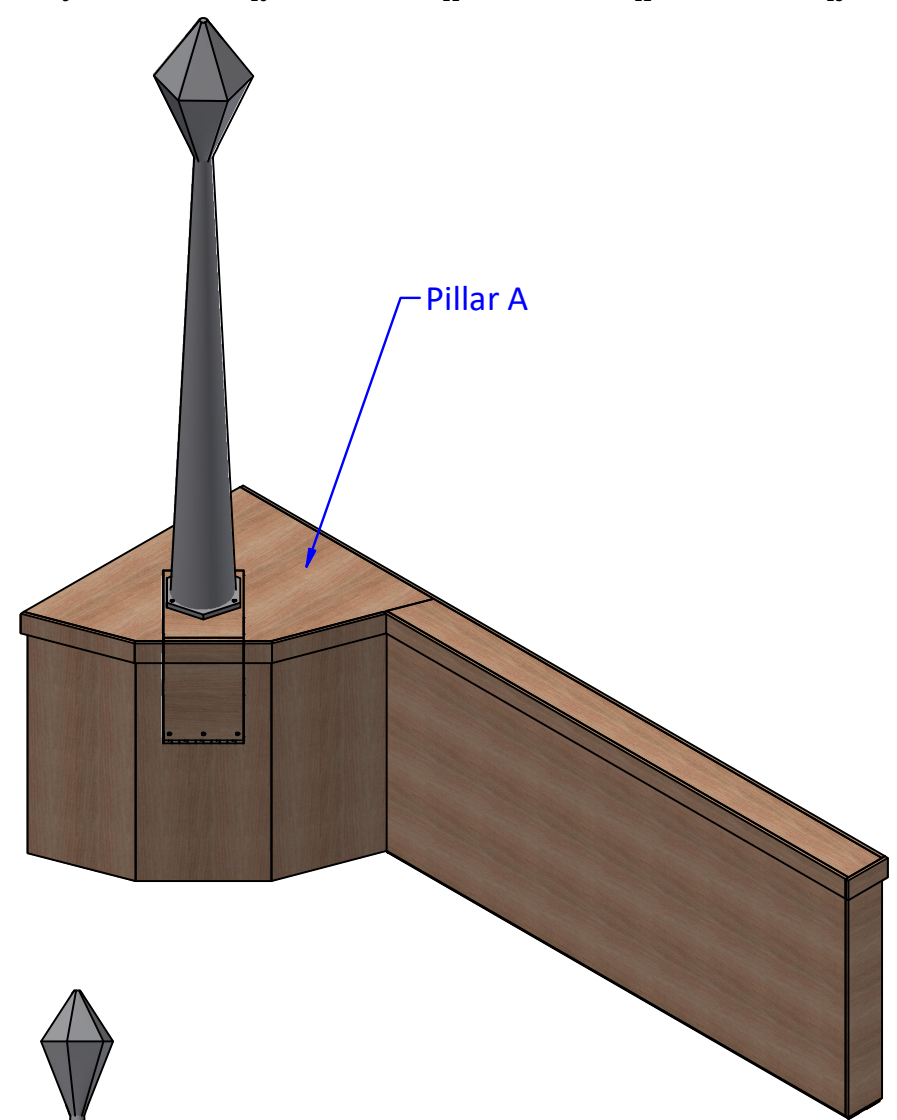
Scale: 3/8"=1'-0"

Build x1 Unit



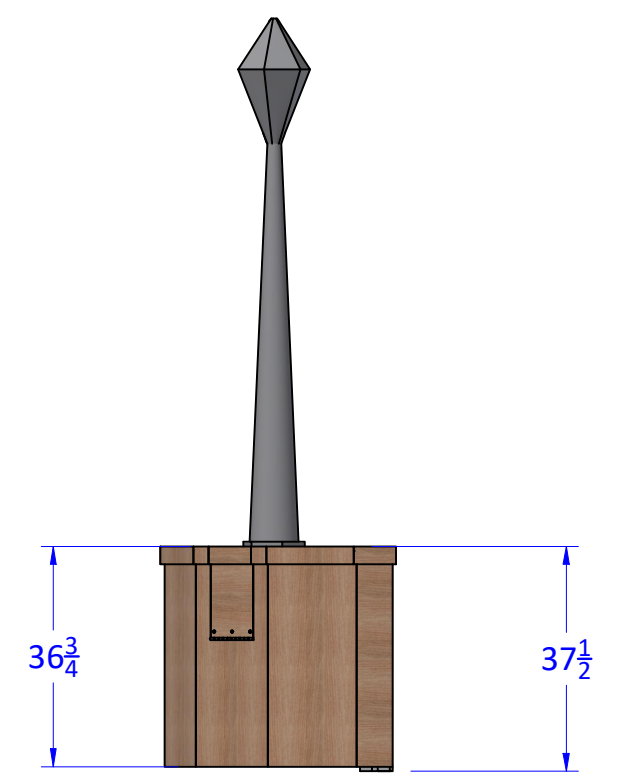
Top View

Front View



Front View

Side View



Project:
SB LX HT- Wedding
Wedding Stage & Nuevayol

Project Number:
EF260001

Release Date: **12/18/2025** | Drawn By: **Genesis A**

Sheet: **12 of 17** | Scale: **As Noted on 11x17 Page**

Estimated Weight:
229 lbmass

General Notes:

Date:	Drawn By:
	Genesis A



This drawing is the property of All Access Staging and Productions, Inc. and can not be duplicated, modified or used for any other purpose without written permission from All Access Staging and Productions, Inc. Use of this drawing for bidding is strictly prohibited. Verify all Dimensions, specifications and conditions before using this drawing for construction.

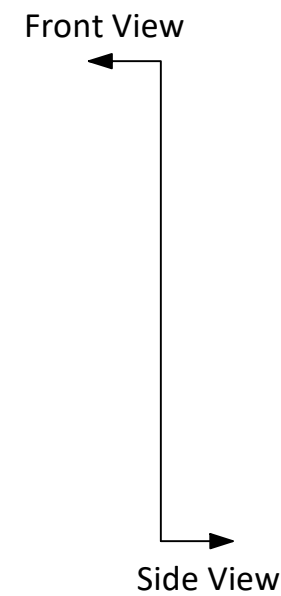
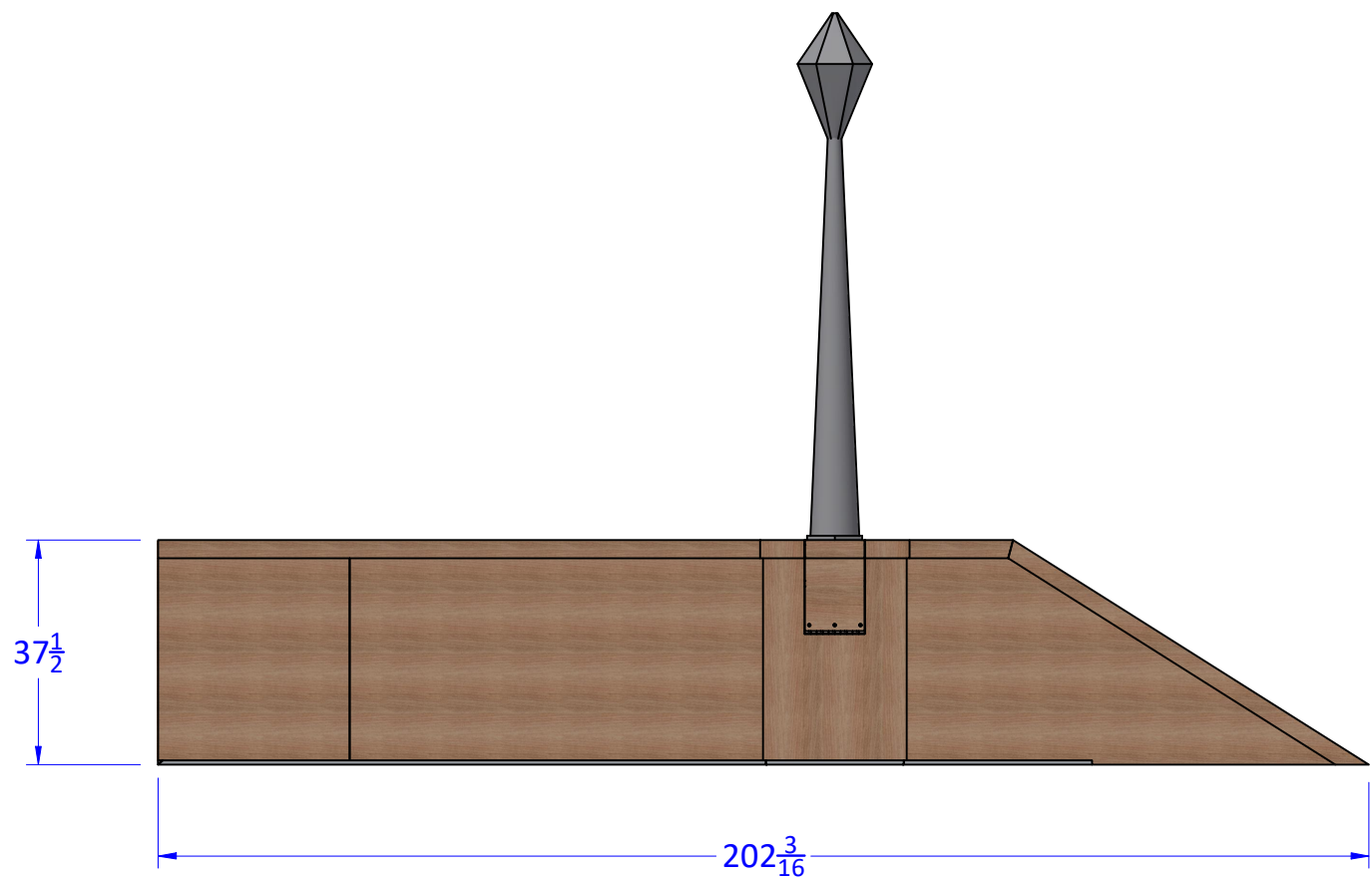
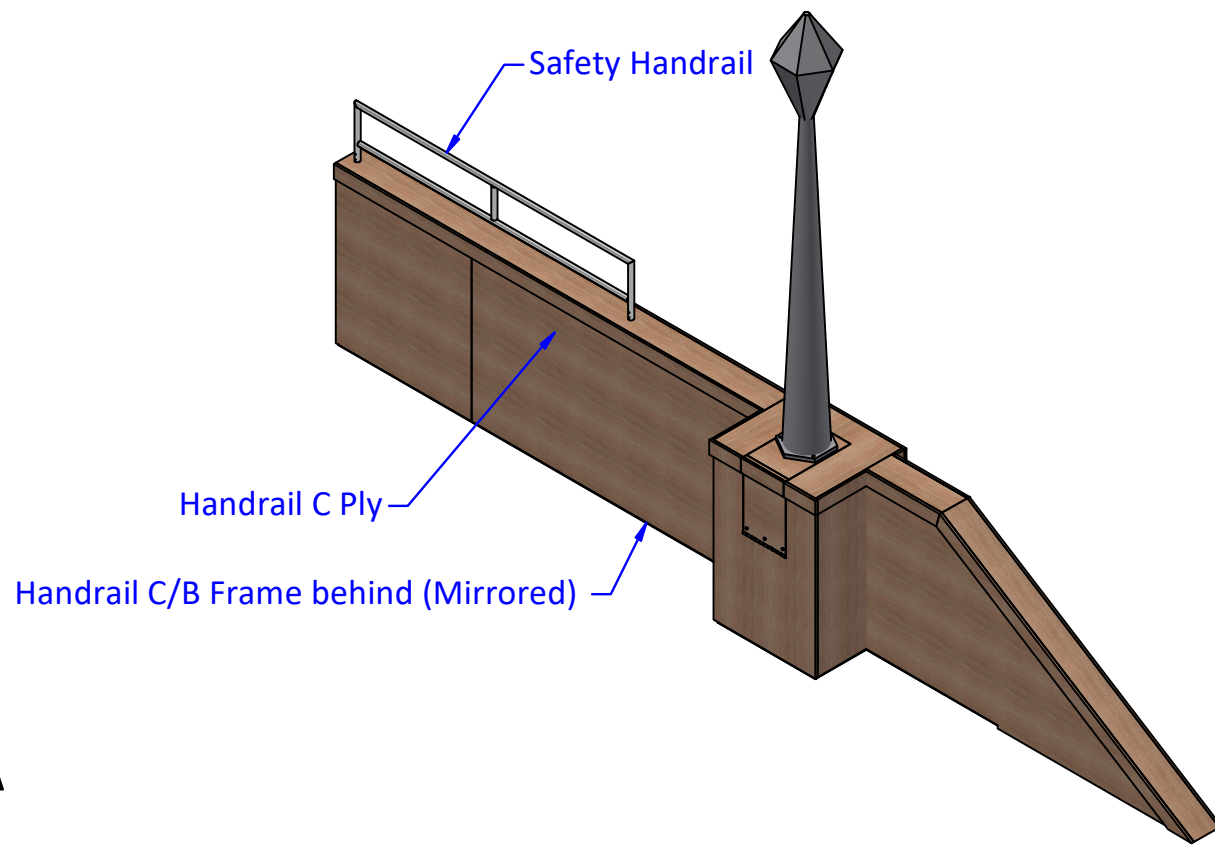
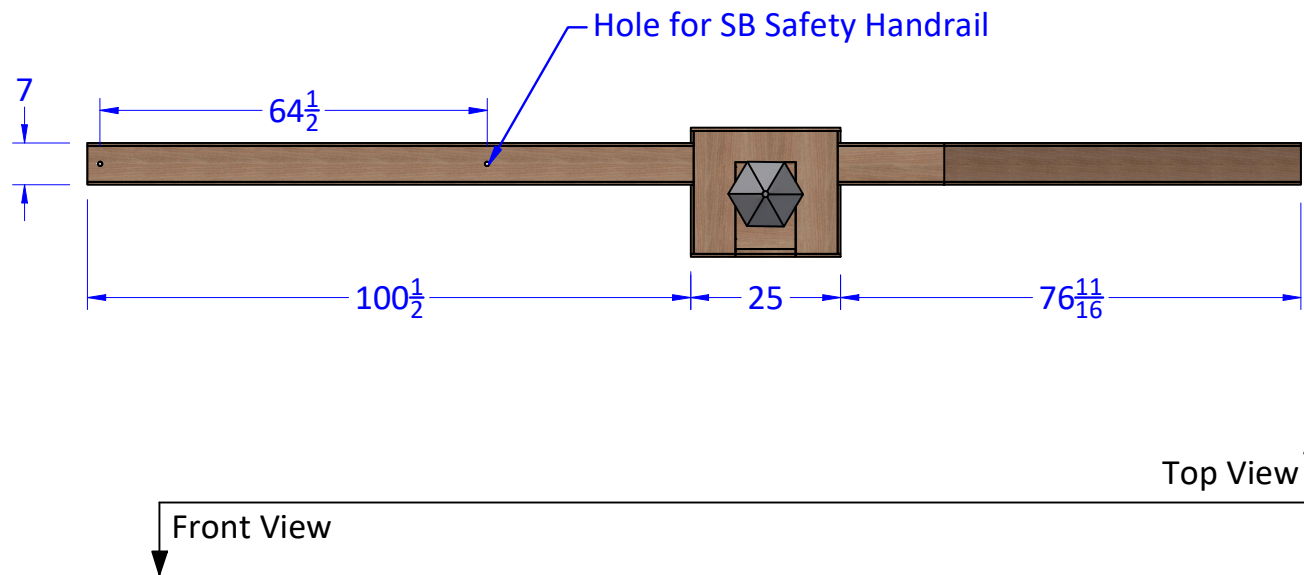
This drawing is CONFIDENTIAL and should not be disclosed to a 3rd party without written permission from All Access Staging and Productions, Inc.

Sheet 13

Wedding Stage- Handrail C(L) & B(R) Overview

Scale: 3/8"=1'-0"

Build x2 Units (x1L + x1R, L Shown)



ALLACCESS
ALLACCESSINC.COM

Project:
SB LX HT- Wedding
Wedding Stage & Nuevayol

Project Number:
EF260001

Release Date: 12/18/2025
Drawn By: Genesis A

Sheet: 13 of 17
Scale: As Noted on 11x17 Page

Estimated Weight:
335 lbmass

General Notes:

Date: _____ Drawn By: Genesis A

Drawing History

Versa
Stage

This drawing is the property of All Access Staging and Productions, Inc. and can not be duplicated, modified or used for any other purpose without written permission from All Access Staging and Productions, Inc. Use of this drawing for bidding is strictly prohibited. Verify all Dimensions, specifications and conditions before using this drawing for construction.

This drawing is CONFIDENTIAL and should not be disclosed to a 3rd party without written permission from All Access Staging and Productions, Inc.

Sheet 14

Wedding Stage - Safety Handrail

Scale: 1"=1'-0"

Build x2 Units

Project:
**SB LX HT- Wedding
Wedding Stage & Nuevayol**

Project Number:
EF260001

Release Date: **12/18/2025** Drawn By: **Genesis A**

Sheet: **14 of 17** Scale: **As Noted on 11x17 Page**

Estimated Weight:
7 lbmass

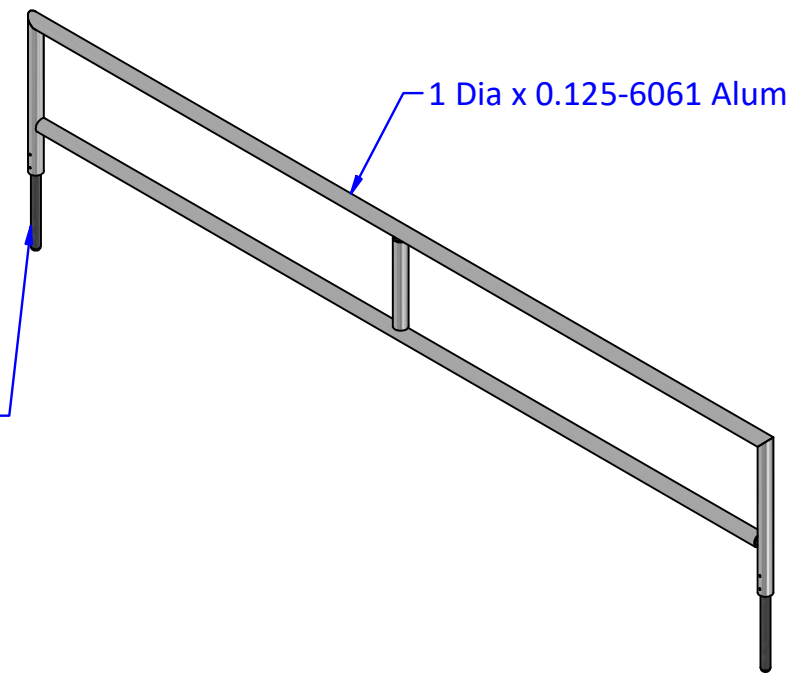
General Notes:

Date: Drawn By:
Genesis A

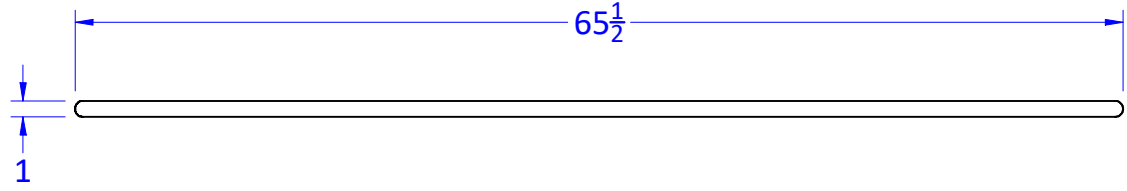
Drawing History



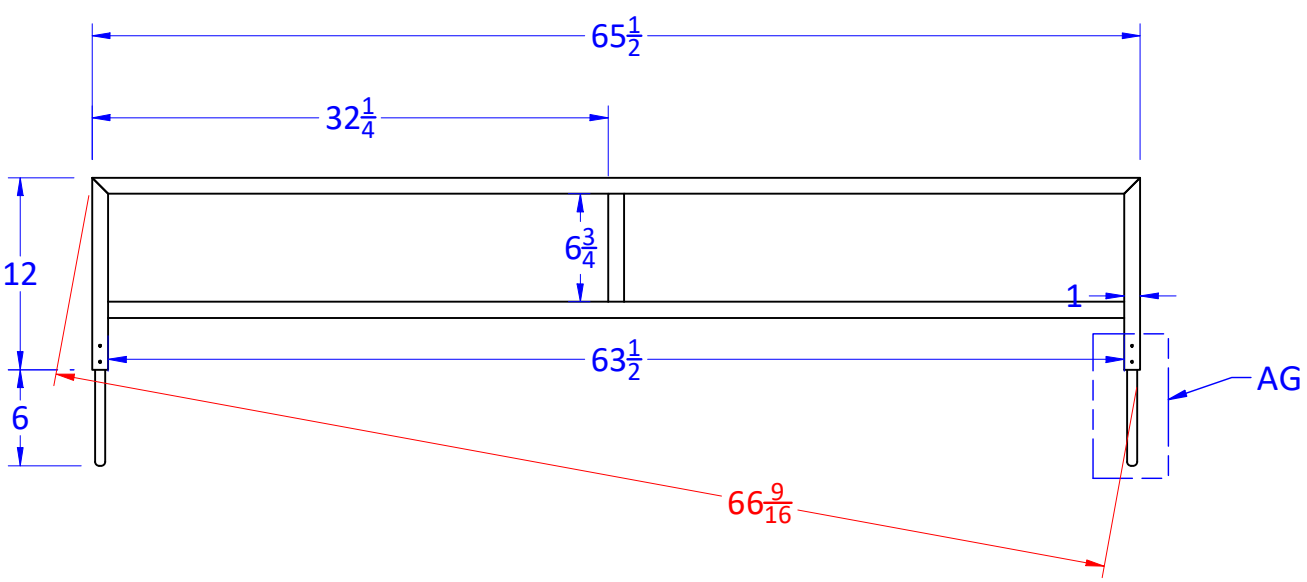
This drawing is the property of All Access Staging and Productions, Inc. and can not be duplicated, modified or used for any other purpose without written permission from All Access Staging and Productions, Inc. Use of this drawing for bidding is strictly prohibited. Verify all Dimensions, specifications and conditions before using this drawing for construction.
This drawing is CONFIDENTIAL and should not be disclosed to a 3rd party without written permission from All Access Staging and Productions, Inc.



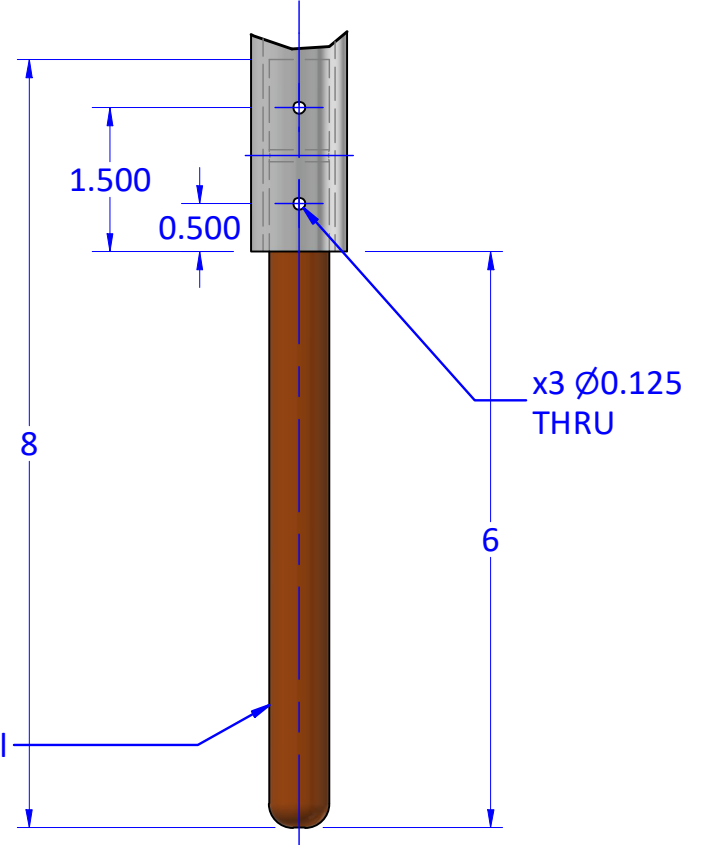
Pin Insert
0.625 Dia-HR A36 Steel



Top View
Front View



0.625 Dia-HR A36 Steel



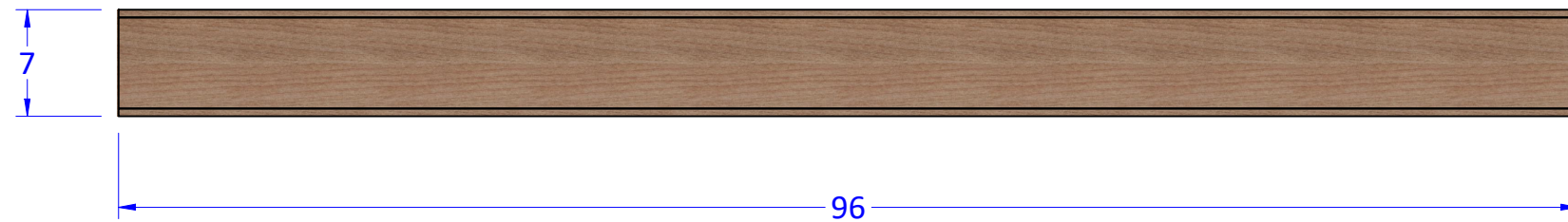
DETAIL AG
SCALE 6"=1'-0"

Sheet 15

Wedding Stage- Handrail E Overview

Scale: 1"=1'-0"

Build x2 Units



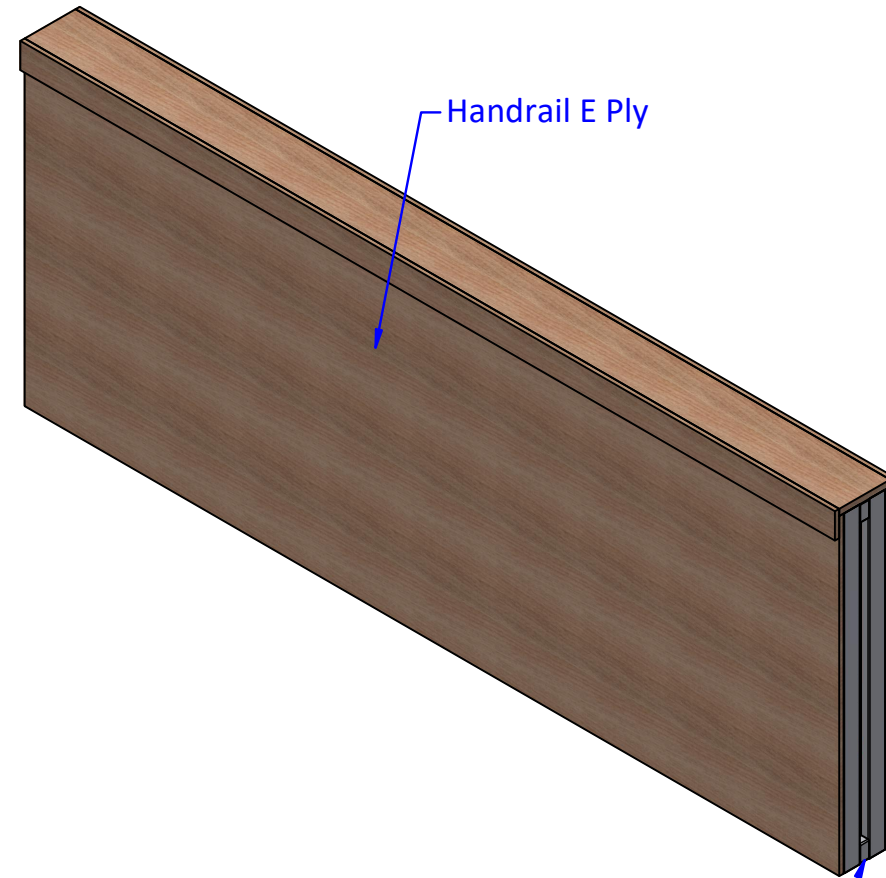
Top View

Front View



Front View

Side View



Handrail E Ply

Handrail E Frame

7

37 1/2

6

Project:
SB LX HT- Wedding
Wedding Stage & Nuevayol

Project Number:
EF260001

Release Date: **12/18/2025** Drawn By: **Genesis A**

Sheet: **15 of 17** Scale: **As Noted on 11x17 Page**

Estimated Weight:
144 lbmass

General Notes:

Date: Drawn By:
Genesis A

Drawing History



This drawing is the property of All Access Staging and Productions, Inc. and can not be duplicated, modified or used for any other purpose without written permission from All Access Staging and Productions, Inc. Use of this drawing for bidding is strictly prohibited. Verify all Dimensions, specifications and conditions before using this drawing for construction.

This drawing is CONFIDENTIAL and should not be disclosed to a 3rd party without written permission from All Access Staging and Productions, Inc.

Sheet 16

Wedding Stage- Handrail F Overview

Scale: 3/8"=1'-0"

Build x1 Unit

Project:
**SB LX HT- Wedding
Wedding Stage & Nuevayol**

Project Number:
EF260001

Release Date: **12/18/2025**
Drawn By: **Genesis A**

Sheet: **16 of 17**
Scale: **As Noted on 11x17 Page**

Estimated Weight:
480 lbmass

General Notes:

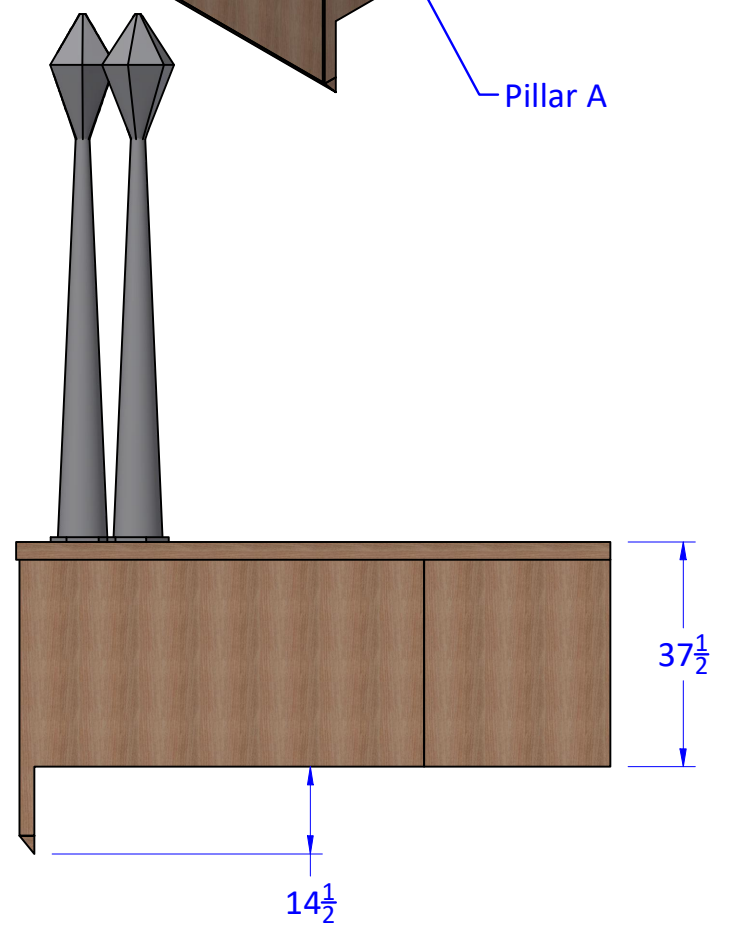
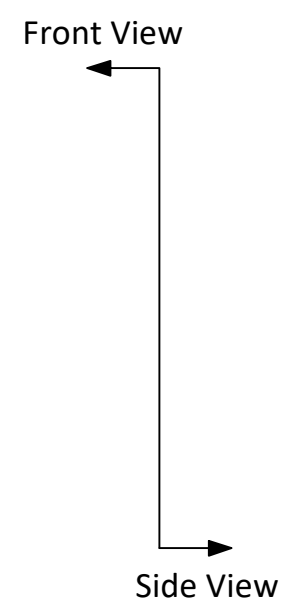
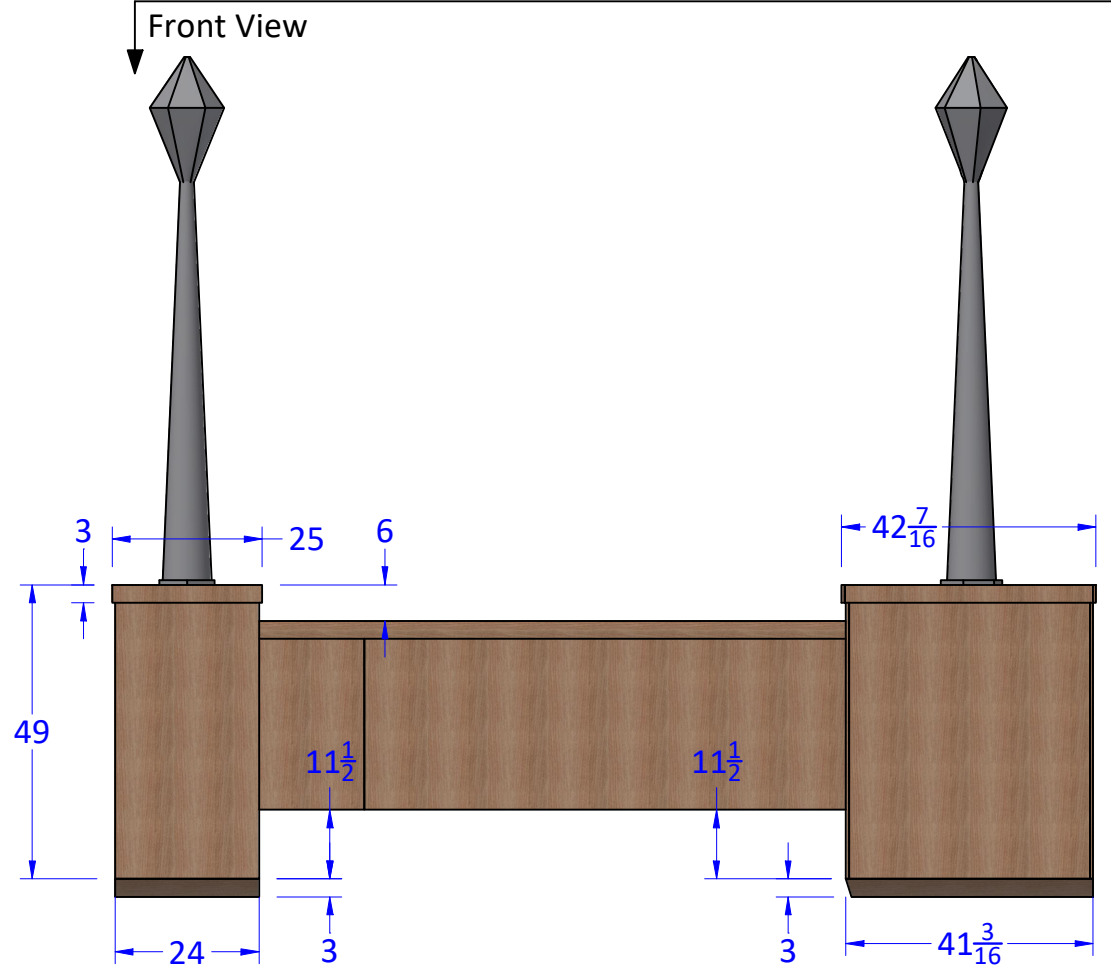
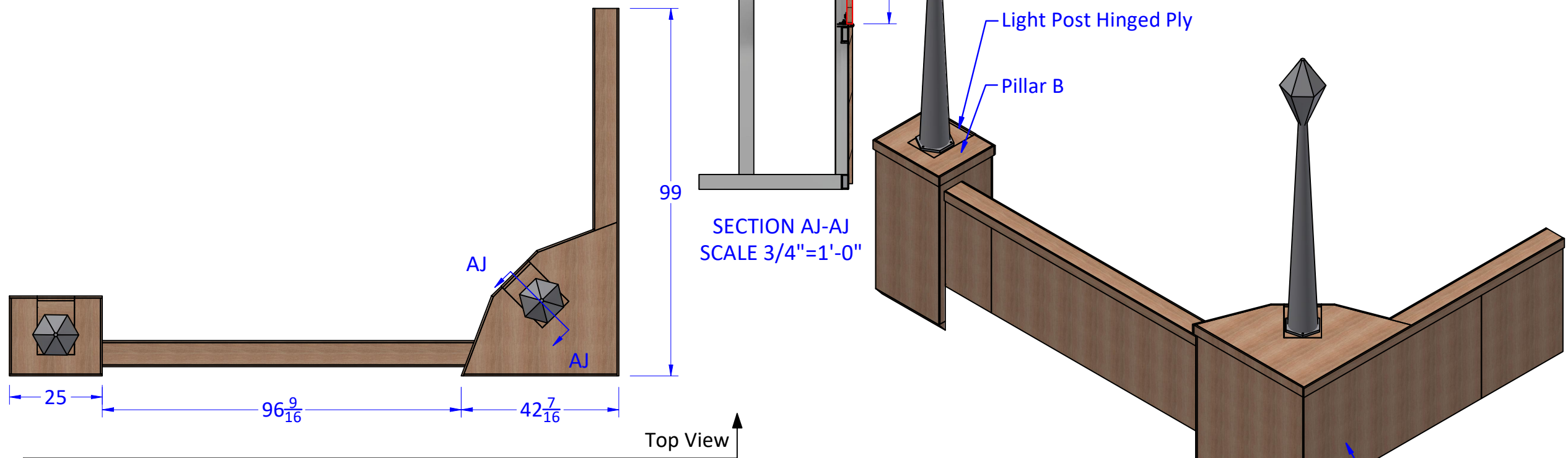
Date: _____ Drawn By: **Genesis A**

Drawing History



This drawing is the property of All Access Staging and Productions, Inc. and can not be duplicated, modified or used for any other purpose without written permission from All Access Staging and Productions, Inc. Use of this drawing for bidding is strictly prohibited. Verify all Dimensions, specifications and conditions before using this drawing for construction.

This drawing is CONFIDENTIAL and should not be disclosed to a 3rd party without written permission from All Access Staging and Productions, Inc.

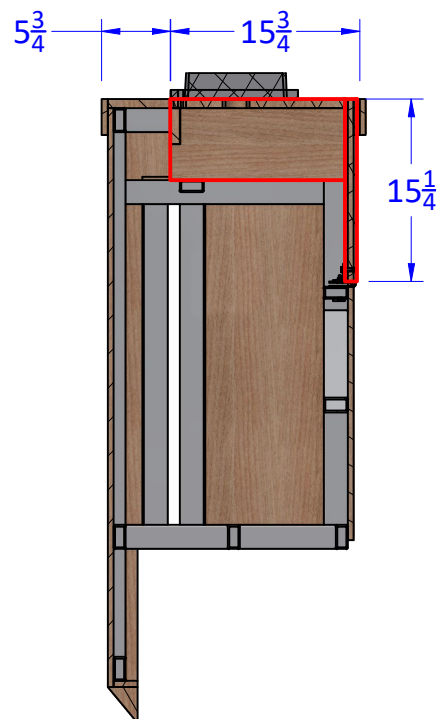
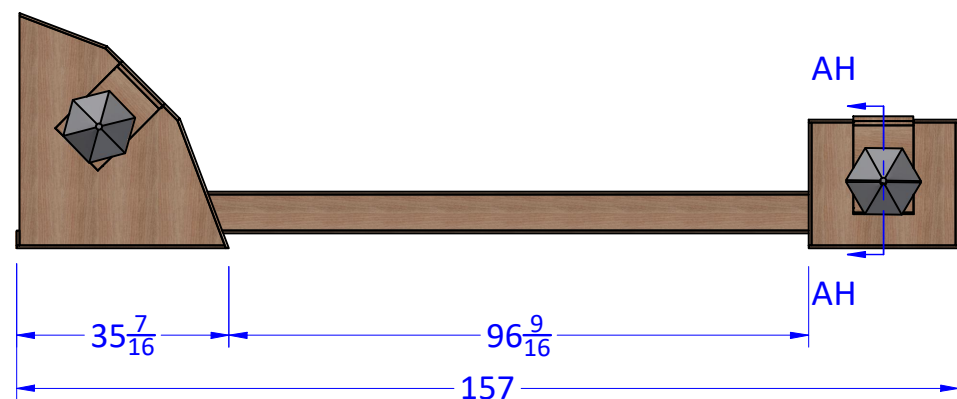


Sheet 17

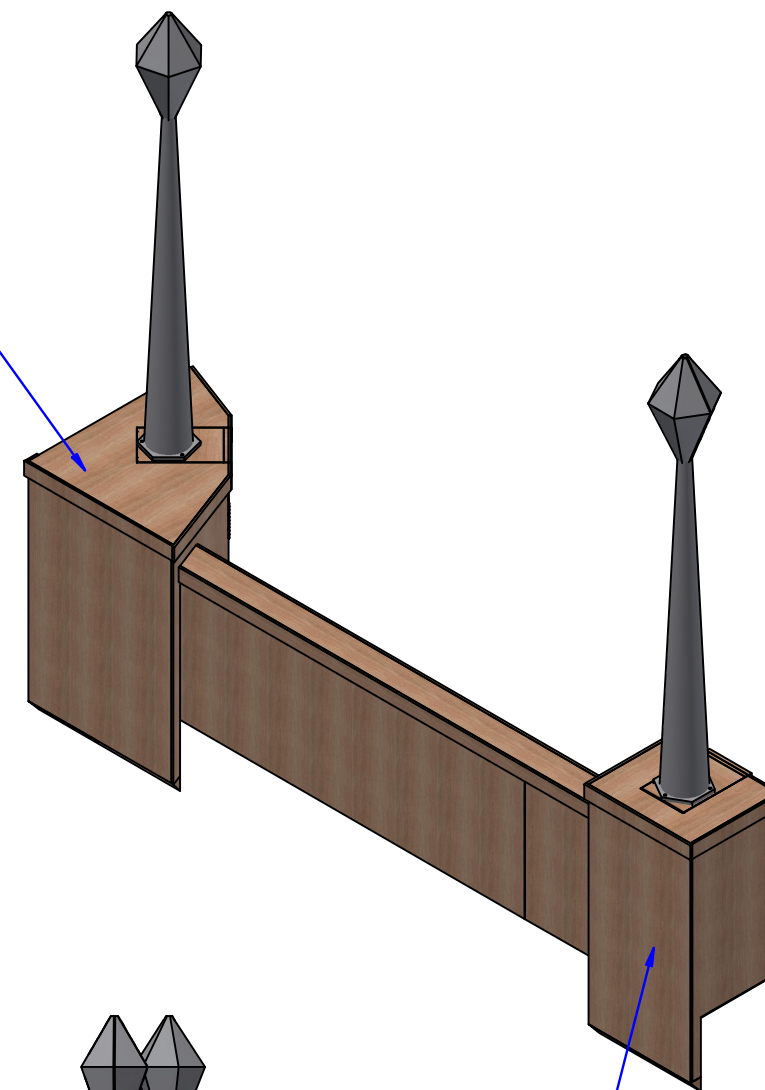
Wedding Stage- Handrail G Overview

Scale: 3/8"=1'-0"

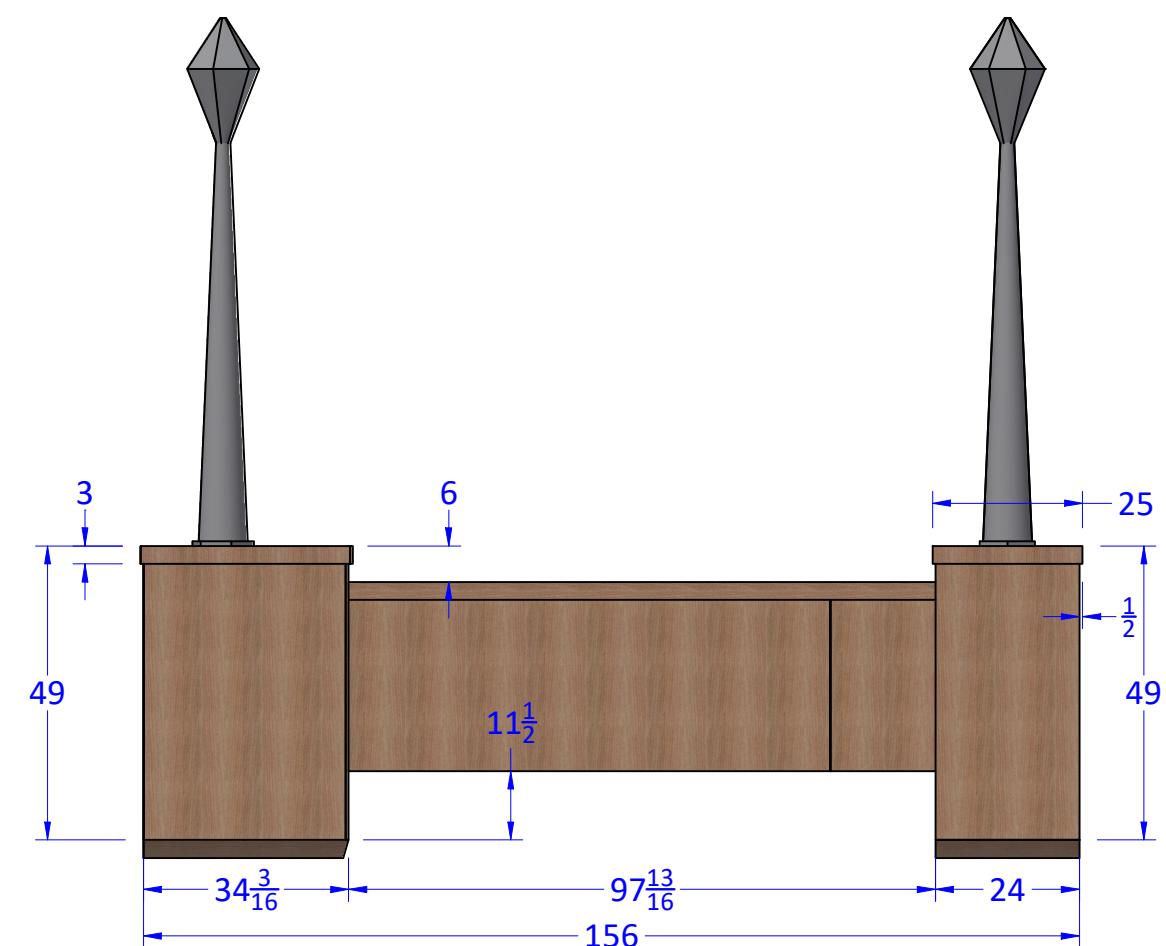
Build x1 Unit



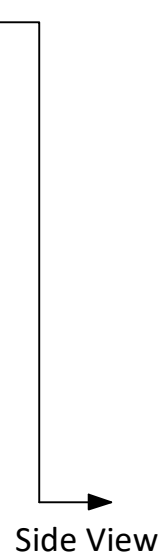
Pillar A



Front View



Front View



ALLACCESS
ALLACCESSINC.COM

Project:
SB LX HT- Wedding
Wedding Stage & Nuevayol

Project Number:
EF260001

Release Date: **12/18/2025** Drawn By: **Genesis A**

Sheet: **17 of 17** Scale: **As Noted on 11x17 Page**

Estimated Weight:
400 lbmass

General Notes:

Date: Drawn By:
Genesis A

Drawing History

Versa
Stage

This drawing is the property of All Access Staging and Productions, Inc. and can not be duplicated, modified or used for any other purpose without written permission from All Access Staging and Productions, Inc. Use of this drawing for bidding is strictly prohibited. Verify all Dimensions, specifications and conditions before using this drawing for construction.

This drawing is CONFIDENTIAL and should not be disclosed to a 3rd party without written permission from All Access Staging and Productions, Inc.