

MA504 / MA595

MA504 / MA595 ADJUSTABLE STEM ASSEMBLY AND OPERATION INSTRUCTION

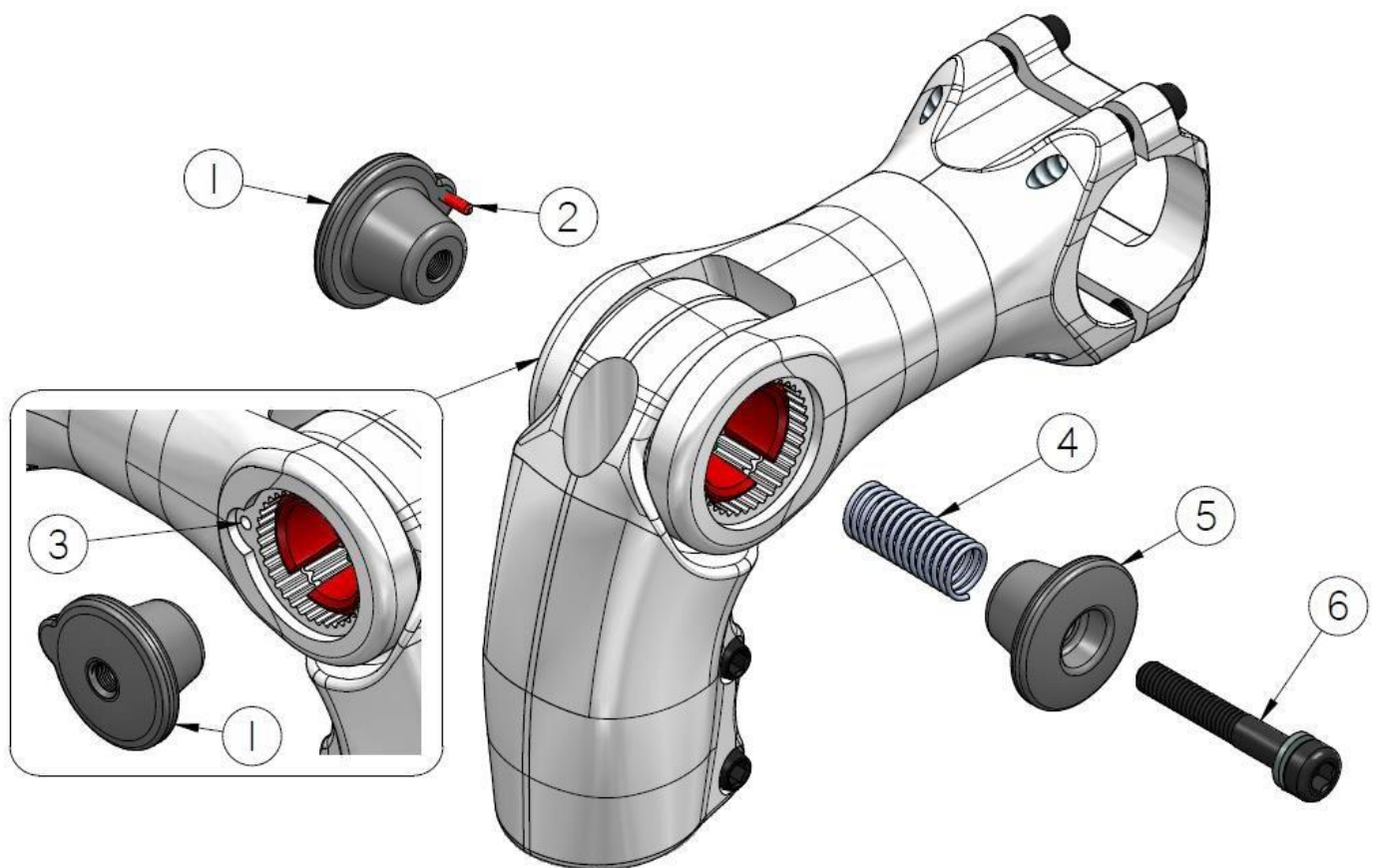
✓ ASSEMBLY

1.

► Put the left adjustable piece ① into the stem from the left side. The pin of adjustable piece ② should be aligned with the hole ③ to be inserted.

2.

► Put the spring ④, right adjustable piece ⑤ and screw ⑥ into the stem from the right side, and fix the stem after tightening the screw.



MA504 / MA595

MA504 / MA504L ADJUSTABLE STEM ASSEMBLY AND OPERATION INSTRUCTION

✓ 操作 OPERATION

1.

▶ Please install the handlebar ⑦ on the stem.
2.

▶ Loose the screw ⑧. If both adjustable pieces are separated ⑨, it could adjust the angle. If both adjustable pieces aren't separated, press the screw head to push one side piece out ⑩, and then proceed to step 3.
3.

▶ Hold the ends of handlebar and shake the handlebar ⑪ until both adjustable pieces are separated ⑨. It could adjust the angle.

