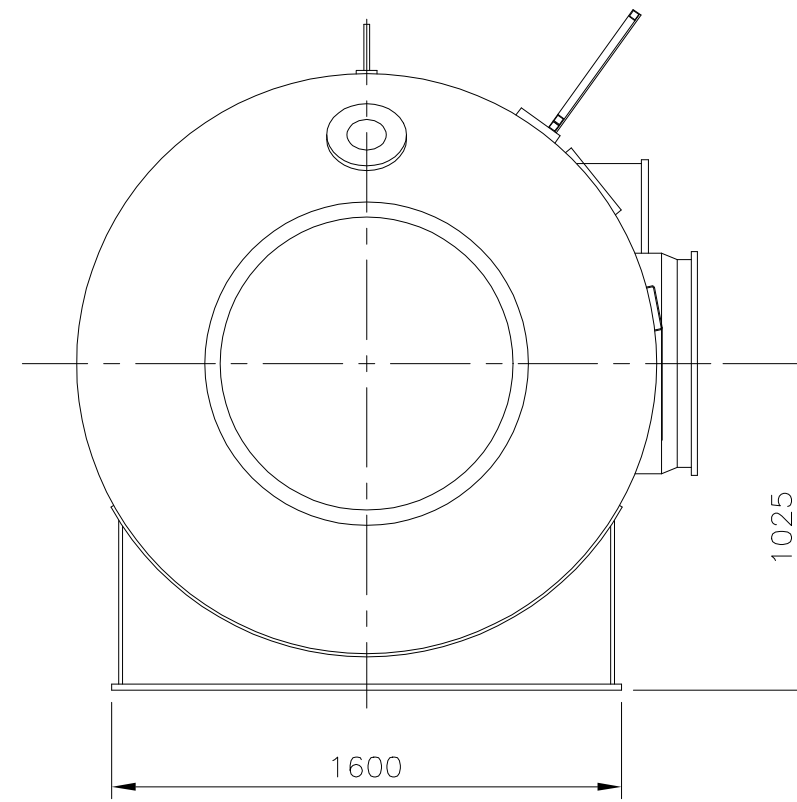


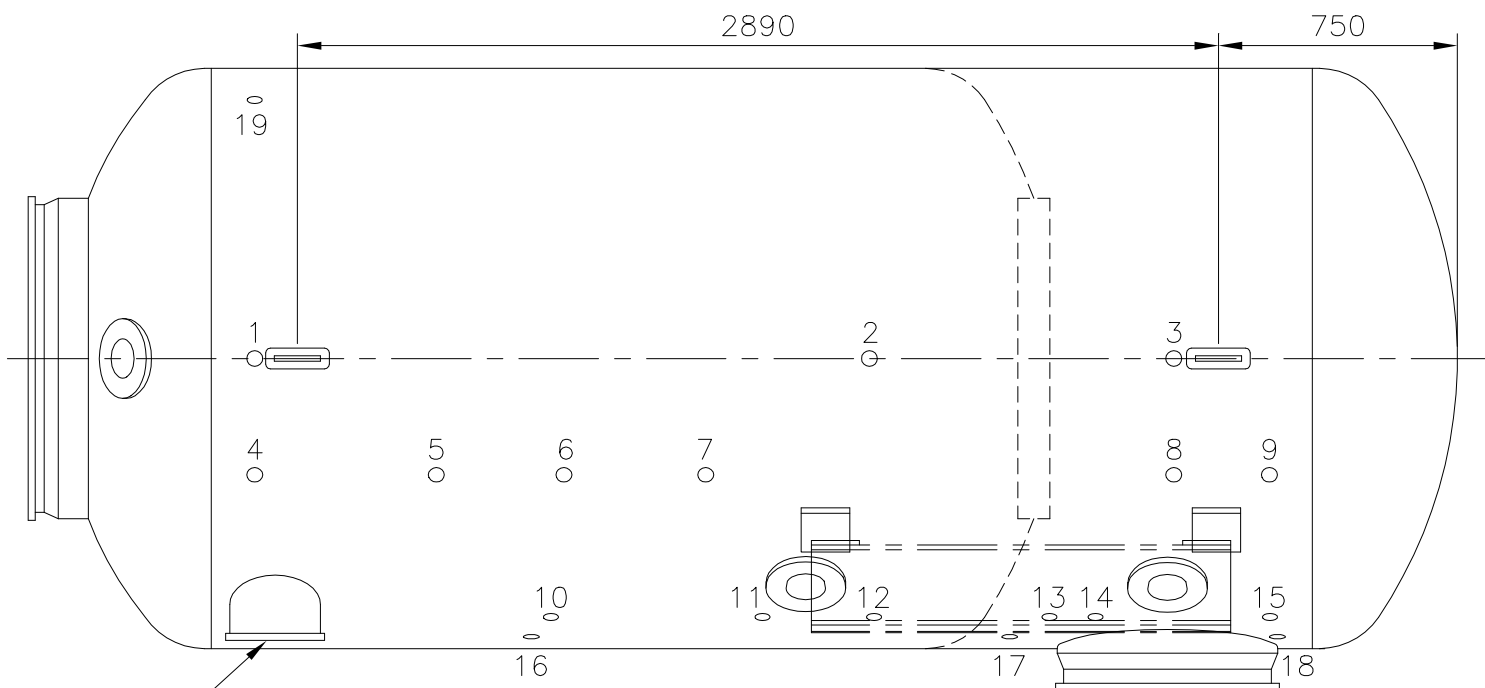
ELEVATION



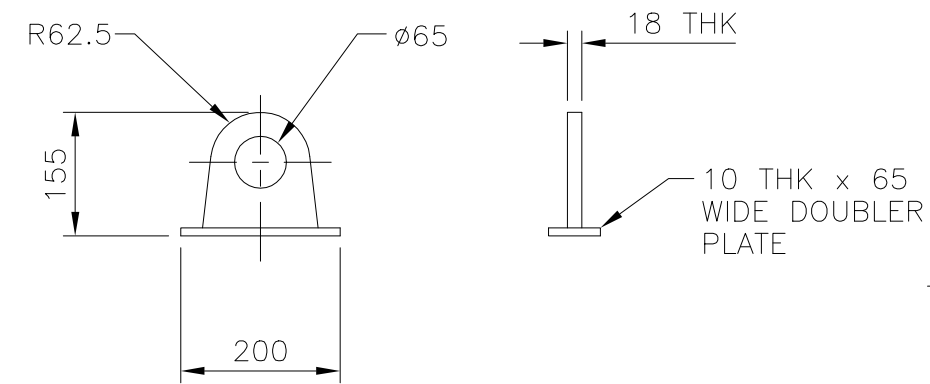
END VIEW

PENETRATION IDENTIFICATION

- 1 MAIN LOCK LIGHT
- 2 MAIN LOCK LIGHT
- 3 ENTRY LOCK LIGHT
- 4 RELIEF VALVE
- 5 MAIN LOCK SAMPLE
- 6 BLOWDOWN
- 7 MAIN LOCK PNEUMO
- 8 ENTRY LOCK SAMPLE
- 9 RELIEF VALVE
- 10 BIBS IN
- 11 MAIN LOCK EXHAUST
- 12 MAIN LOCK BLOWDOWN
- 13 ENTRY LOCK EXHAUST
- 14 ENTRY LOCK PNEUMO
- 15 BIBS INLET
- 16 BIBS DUMP
- 17 ENTRY LOCK BLOWDOWN
- 18 BIBS DUMP
- 19 SPARE
- 20 MAIN LOCK EMERGENCY BLOWDOWN
- 21 ENTRY LOCK EMERGENCY BLOWDOWN
- 22 ENTRY LOCK SAMPLE
- 23 SPARE
- 24 BILGE DRAIN
- 25 SPARE
- 26 BILGE DRAIN



PLAN VIEW



LIFTING EYE DETAIL
SCALE 1:10

NOTES

- 1 MANUFACTURER – PRESSURE FABRICATION LTD
WORKING PRESSURE – 10 BAR
DESIGN PRESSURE – 10 BAR
TEST PRESSURE – 15 BAR
- 2 WEIGHT – 6 TONNES
- 3 SUITABLE FOR TWO DIVERS

REFERENCE DRAWINGS
S0983/000/95/198 AIR DIVE CONTROL
VAN – ADC-011

AC-017

B	19.7.00	REF DRG REVISED	JMD	BW	XH	BWR
A	5.10.95	FIRST ISSUE	JRM	LW	DWP	
REV	DATE	REVISION	DRN	D.O.	ENG.	APD



COFLEXIP STENA OFFSHORE LIMITED
COFLEXIP STENA OFFSHORE GROUP

This drawing is Coflexip Stena Offshore's property and will not be disclosed without their authorisation

REF NO: DRAWING NUMBER REV

WK - 983.000 - 3 - 203 B

ORIG. SIZE A3 SCALE: 1:25 983-196

CLIENT: IN-HOUSE	APPROVED	
PROJECT: IN-HOUSE EQUIPMENT	DATE	
TITLE: TWINLOCK DECOMPRESSION CHAMBER GENERAL ARRANGEMENT	ENG CKD	DWP
	DATE	5.10.95
	DO. CKD	LW
	DATE	5.10.95
	DRAWN	JRM
	DATE	26.9.95