

U11I Rugged Tablet 2-Bay Battery Charger

User's Manual



Package Contents

If any of following items is damaged, please contact your retailer.

Battery Charger



Adapter



Power cord



NOTE

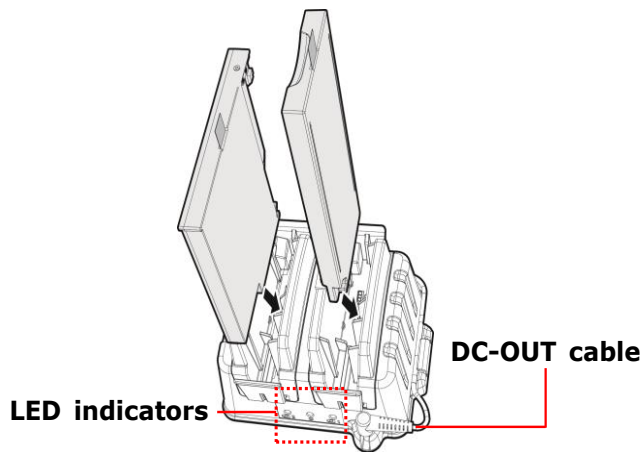
The pictures are for reference only, actual items may slightly differ.

BATTERY CHARGER

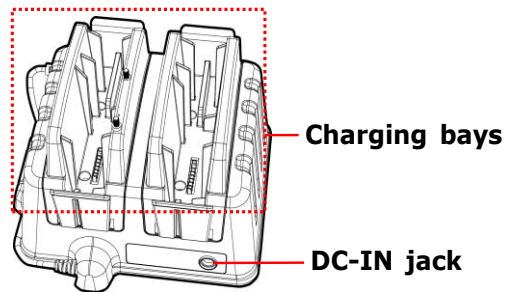
With this external 2-bay battery charger, you can charge the approved batteries directly without plugging them into the tablet.

About the Battery Charger




FRONT VIEW



REAR VIEW

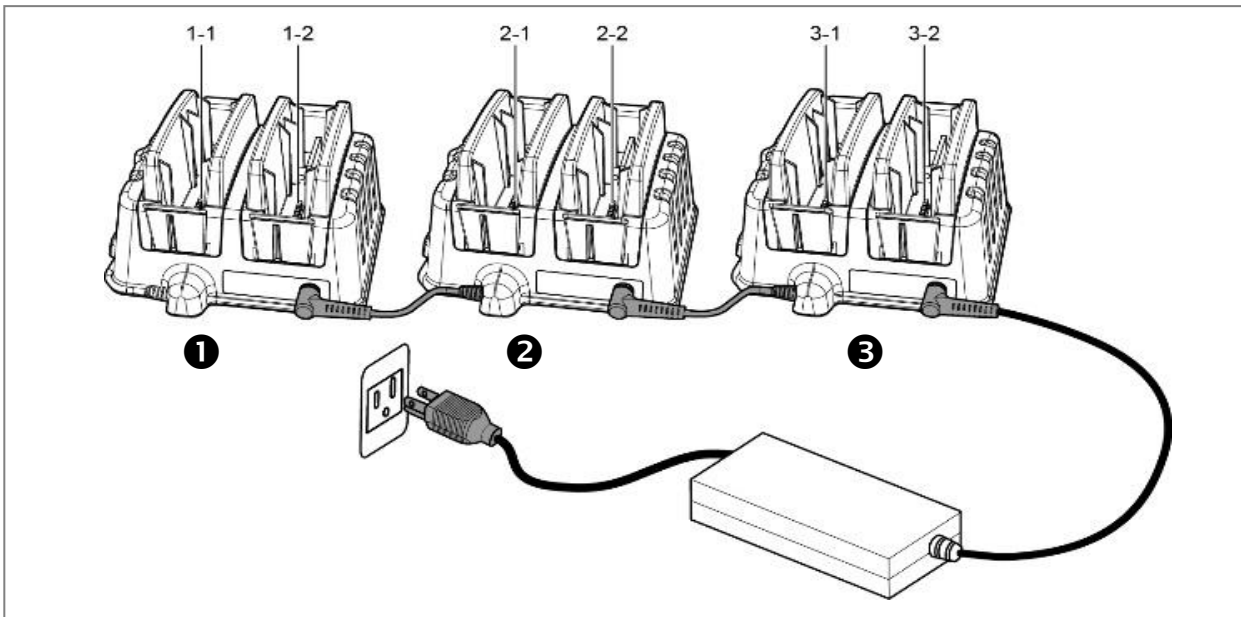


LED Indicators

Icon	Item	LED Color and Status	
 1 /  2	Battery indicator	Green	Charging complete
		Orange	Battery charging
		Red	Charging error
		Off	No battery is inserted
❖ The Green LED lights up when the battery is at 95% charged. For 100% fully charged pack, user will need to leave the pack to be charged for longer.			
	Power indicator	Green	19V DC power is supplied
		Off	No power supply

Using the Battery Charger

CHAIN CONNECTION (Charging sequence)



1. Connect the charger unit to an electrical outlet using the power adapter.
2. Insert battery into the designated charging bay.
 - The charger bay supports both main and second batteries. Once seated, it can automatically determine the battery specification.

Charger has two charging bays and can support chain connection to another charger using the attached DC-OUT cable, for at most up to total of 3 chargers. When chargers are connected, the charging starts from the last charger of the chain. (The charging sequence is shown in the right figure: 1-1, 1-2, 2-1, 2-2, 3-1, 3-2)

Normal charging time will vary by the capacity of the battery pack.

- When charging the standard battery pack(s) on a single charger, the charging time is approximately 2.5 hours.
- When charging two high-capacity battery packs on a single charger, the charging time is approximately 3.5 hours for the first battery and 5 hours for the second battery.

NOTE

Use only the designated power adapter (19V/65W) to avoid damage to the charger.

Charging time may vary depending on the remaining battery capacity.

Safety Precautions

This section provides essential safety guidelines for the proper handling, charging, and storage of your battery charger. Following these instructions helps ensure optimal performance and, most importantly, prevents potential hazards or injuries.

Secure Battery Placement:

When inserting or removing the battery, always place the charger on a stable surface. This prevents tilting or accidental drops. Avoid excessive pushing or pulling, which could damage components.

Maintaining Clean Connection Points:

Periodically clean the metal connection points on both the battery and charger using a dry, soft, lint-free cloth. This ensures an efficient and reliable electrical connection. Don't use liquids or abrasive cleaners.

Protection Against Physical Damage:

To prevent accidental damage, avoid dropping the charger, subjecting it to strong impacts, or placing heavy objects on it. Physical damage can lead to internal failures or pose a safety risk.

Battery Removal Before Movement:

Before moving the charger, always take out the battery pack. This prevents the battery from dislodging or falling out, which could lead to damage or potential injury during movement.

Exclusive Use of Specified Accessories:

This charger operates only with the specified battery models designed for your device. Always use the AC adapter that was originally provided. Using incompatible accessories voids your warranty and may result in overheating, poor performance, or severe safety risks.

Connecting to a Standard Power Outlet:

Connect the charger exclusively to a standard household outlet that meets local electrical codes. Avoid using inadequate extension cords or power strips.

Proper Plug Handling:

When connecting, ensure the plug is fully seated in the outlet. To disconnect, always firmly grasp the plug housing and pull directly. Never pull on the cord, as this can damage components or pose electrical risks.

Avoid Using with Wet Hands:

Never handle the charger or its power plug with wet hands. Moisture can create an electrical pathway, significantly increasing the risk of electric shock or short-circuiting the device.

Well-Ventilated Operation:

To prevent overheating and ensure efficient operation, always use the charger in a well-ventilated area. Avoid placing it in enclosed spaces that could block airflow.

Protection from Extreme Temperatures:

Keep both the charger and battery away from direct sunlight, heating appliances, or any sources of extreme heat. High temperatures can degrade performance and pose a fire or explosion risk.

Avoid Use During Adverse Conditions:

For your safety and to protect the device, avoid using the charger during electrical storms. Power surges or lightning strikes can cause severe damage. Also, refrain from using it under unstable power grid conditions.

Proper Storage When Not in Use:

When the charger isn't in active use, especially for extended periods, disconnect it from the power source. Store the charger and battery properly in a clean, dry place, away from dust and moisture.

Action on Detecting Abnormalities:

Should you detect any abnormalities—such as abnormal high heat, unusual odors, or any visible damage or deformation—immediately stop using the charger. Unplug it from the power outlet and contact customer support for assistance.

Federal Communications Commission Statement

This equipment has been tested and found to comply with the limits for a Class A digital device, pursuant to part 15 of the FCC Rules. These limits are designed to provide reasonable protection against harmful interference when the equipment is operated in a commercial environment. This equipment generates, uses, and can radiate radio frequency energy and, if not installed and used in accordance with the instruction manual, may cause harmful interference to radio communications. Operation of this equipment in a residential area is likely to cause harmful interference in which case the user will be required to correct the interference at his own expense.

Warning: Operation of this equipment in a residential environment could cause radio interference.

IC Regulations

This device complies with Industry Canada's licence-exempt RSSs. Operation is subject to the following two conditions: (1) This device may not cause interference; and (2) This device must accept any interference, including interference that may cause undesired operation of the device.

Le présent appareil est conforme aux CNR d'Industrie Canada applicables aux appareils radio exempts de licence. L'exploitation est autorisée aux deux conditions suivantes: (1) l'appareil ne doit pas produire de brouillage, et (2) l'utilisateur de l'appareil doit accepter tout brouillage radioélectrique subi, même si le brouillage est susceptible d'en compromettre le fonctionnement.

This Class A digital apparatus complies with Canadian ICES-003.

Cet appareil numérique de la classe A est conforme à la norme NMB-003 du Canada.