

# R10 Rugged Tablet X Strap User's Manual



# Package Contents

If any of following items is damaged, please contact your retailer.

X Strap



Bracket (4)



**NOTE**

The pictures are for reference only, actual items may slightly differ.

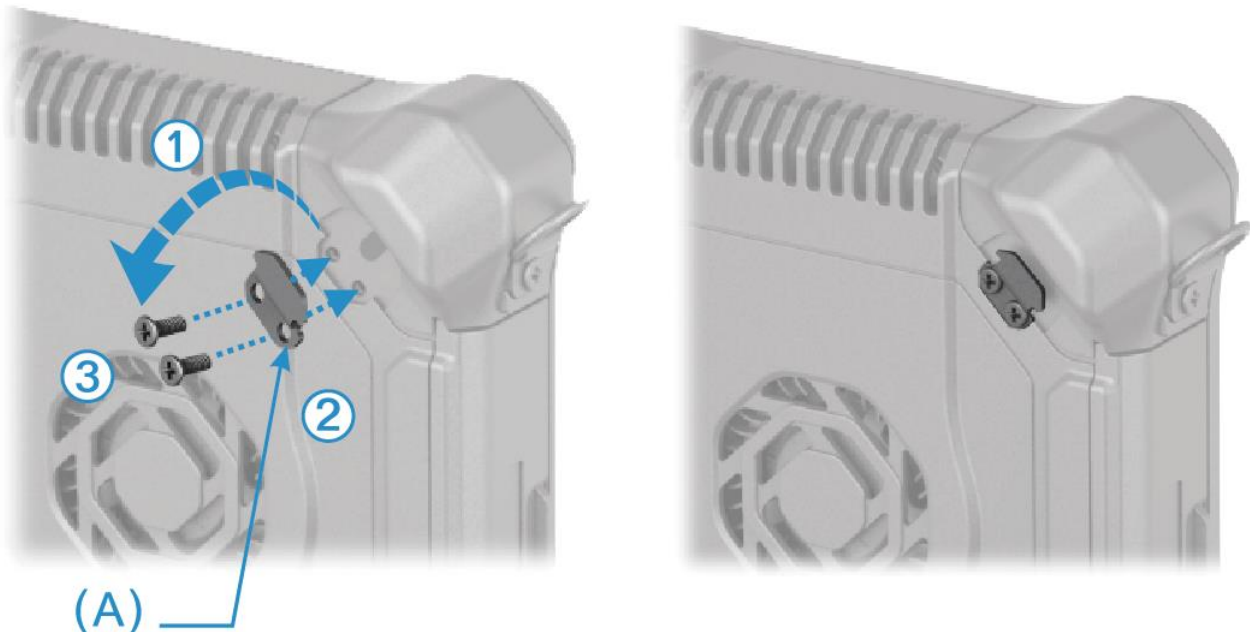
# Installation

This section will guide you on how to install the X strap of your tablet.

## Installing the X Strap

To install the X strap, follow the steps below:

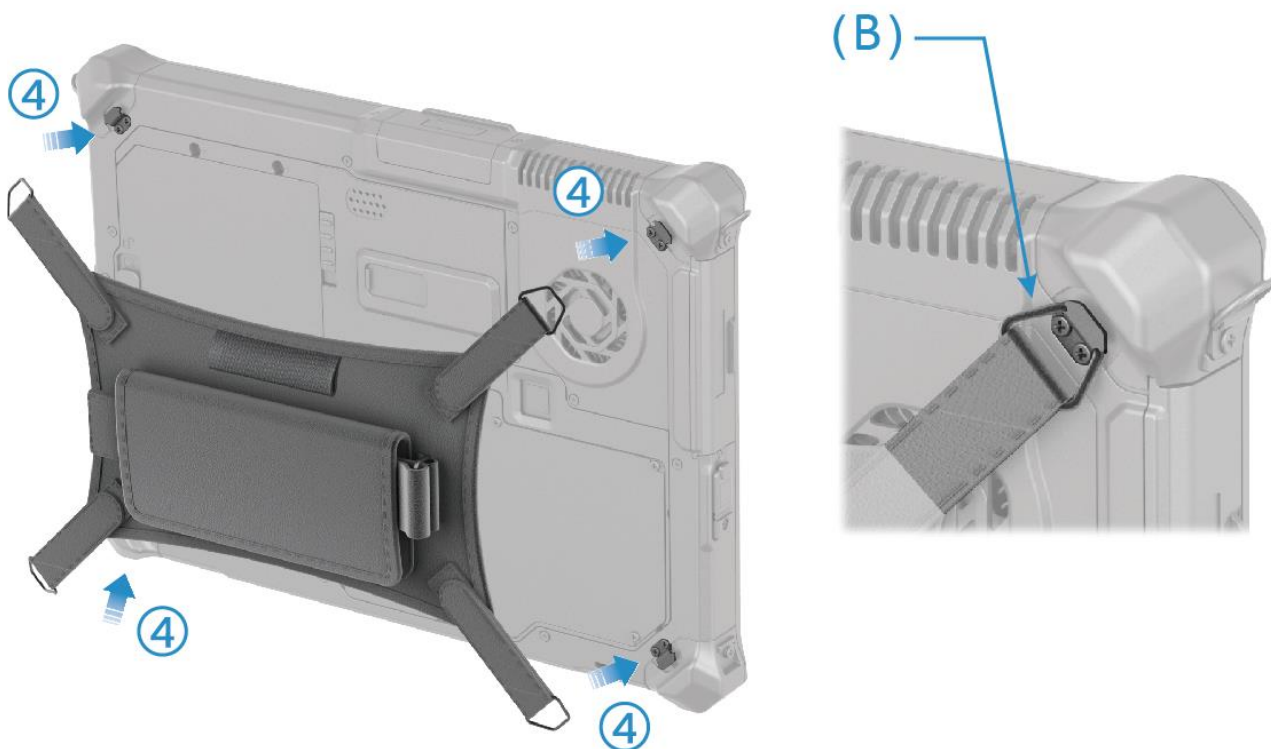
1. Remove the screws of the corner protectors.
2. Align the strap bracket (A) with the notch facing out.
3. Mount on the strap bracket with screws in place. Please repeat this procedure on the others.



4. Insert the steel loop into each of the 4 corner straps.



5. Hook the steel loop of the X Strap (B) onto the corner bracket. Please repeat this step for the other corners and tighten the corner straps.



6. Move your hand into the slit between the X strap and the device.
7. Fix the X strap firmly so that the tablet does not come off.

