

# R10 Rugged Tablet Office Dock User's Manual



# Package Contents

If any of following items is damaged, please contact your retailer.

Office Docking



Adapter



Power cord

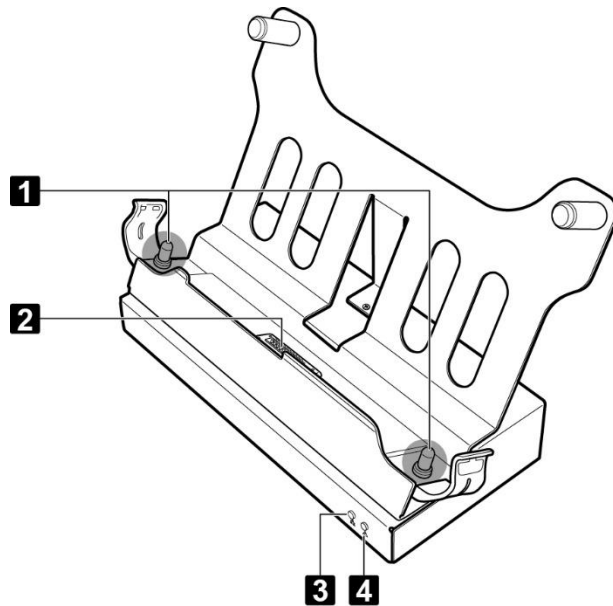


**NOTE**

The pictures are for reference only, actual items may slightly differ.

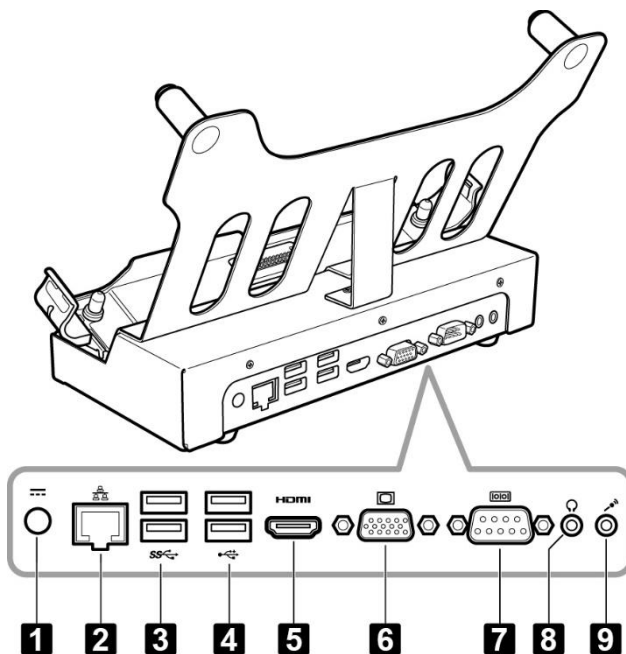
# Product Overview

## Front



No.	Item
1	Alignment port (x2)
2	Docking connector
3	LAN indicator
4	Power indicator

## Rear

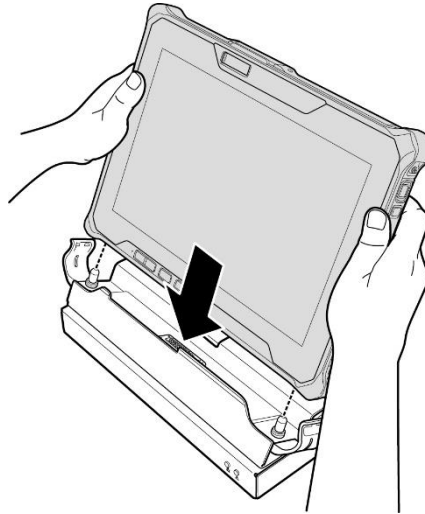


No.	Item
1	DC-in jack *
2	LAN (RJ-45) port
3	USB3.0 port (x2)
4	USB2.0 port (x2)
5	HDMI port
6	VGA port
7	Serial port (RS-232)
8	Audio out jack
9	Microphone in jack

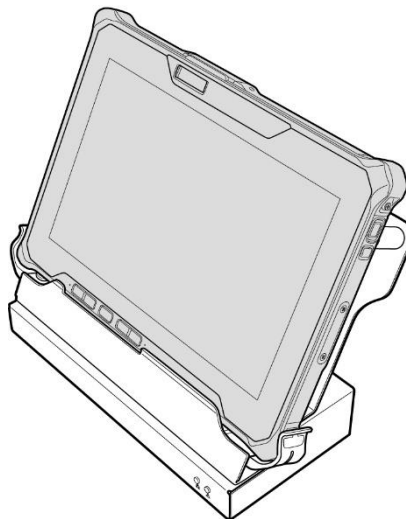
\*Please contact dealer for appropriate adapter.

## Docking the Tablet PC

1. With screen side facing down, install the tablet PC into the alignment ports on keyboard dock.

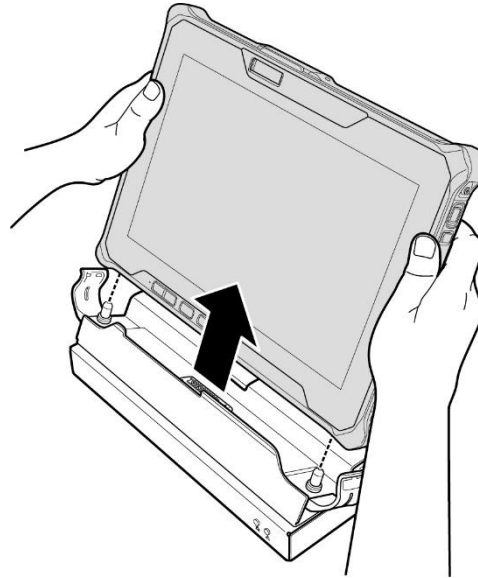


2. Ensure the tablet PC is tightly secured to the docking cradle.



## Undocking the Tablet PC

Use both hands to remove the tablet PC from the docking cradle.



# Federal Communications Commission

## Statement

This equipment has been tested and found to comply with the limits for a Class A digital device, pursuant to part 15 of the FCC Rules. These limits are designed to provide reasonable protection against harmful interference when the equipment is operated in a commercial environment. This equipment generates, uses, and can radiate radio frequency energy and, if not installed and used in accordance with the instruction manual, may cause harmful interference to radio communications. Operation of this equipment in a residential area is likely to cause harmful interference in which case the user will be required to correct the interference at his own expense.

### DECLARATION OF CONFORMITY

according to FCC 47 Part 15 Subpart B : Section 15.107 & 15.109

ICES-003 Issue 7 : 2020 Class A

ANSI C63.4-2014



**Responsible Party** : DURABOOK AMERICAS INC.  
**Address** : 48329 Fremont Blvd., Fremont, CA 94538, USA  
**Phone Number** : (510) 492-0828

Hereby declares that the product

**Brand/Trademark** : DURABOOK  
**Product** : Office Dock  
**Model** : OD-TXXXXXX (Where "X" may 0 to 9, A to Z, a to z or blank)

This device complies with Part 15 of the FCC Rules. Operation is subject to the following two conditions: (1) this device may not cause harmful interference, and (2) this device must accept any interference received, including interference that may cause undesired operation.

## IC Regulations

This device complies with Industry Canada's licence-exempt RSSs. Operation is subject to the following two conditions: (1) This device may not cause interference; and (2) This device must accept any interference, including interference that may cause undesired operation of the device.

Le présent appareil est conforme aux CNR d'Industrie Canada applicables aux appareils radio exempts de licence. L'exploitation est autorisée aux deux conditions suivantes: (1) l'appareil ne doit pas produire de brouillage, et (2) l'utilisateur de l'appareil doit accepter tout brouillage radioélectrique subi, même si le brouillage est susceptible d'en compromettre le fonctionnement.

**This Class A digital apparatus complies with Canadian ICES-003.**

**Cet appareil numérique de la classe A est conforme à la norme NMB-003 du Canada.**

## EU RoHS

This product complies with the EU RoHS Directive 2011/65/EU as amended by (EU) 2015/863.

The above criteria do not apply to the RoHS exemptions. Exemption item: 7a, 7(c)-1 and 6c.

## REACH - Substances of Very High Concern (SVHC)

According to article 33 in EU REACH, article manufacturer has the obligation to disclose information of substances included in candidate list of SVHC contained in products. If used in product and encourage suppliers to reduce and phase out such substance in product if commercially available.

SVHC list is based on the publication by European Chemicals Agency (ECHA).

<http://echa.europa.eu/candidate-list-table/>

# VCCI

この装置は、クラス A 情報技術装置です。この装置を家庭環境で使用すると電波妨害を引き起こすことがあります。この場合には使用者が適切な対策を講ずるよう要求されることがあります。

VCCI-A

