

# **R10 Rugged Tablet Expansion Modules Smart Card Reader + LF/HF RFID**

User's Manual



# Package Contents

If any of following items are damaged, please contact your retailer.

Smart card reader + LF/HF  
RFID module





CTO door plate



Screw & O RING  
(6+6)



## Smart Card Reader + LF/HF RFID Module Screws

Screw Name	Screw Type	Quantity	Torque
M2.6X12L & O RING		6 (module to CTO door plate)	2.0 ± 0.3 Kgf-cm
ISOT-M2X4L		6 (CTO door plate to lower case)	2.0 ± 0.3 Kgf-cm



**NOTE**

The pictures are for reference only. Actual items may slightly differ.

# Installation

This section will guide you on how to install the expansion modules to your tablet PC.

**Note:** Make sure to remove the battery before installing any type of expansion modules. For more information on how to remove/install the battery, please refer to the tablet PC service guide.

## Installing the Smart Card Reader + LF/HF RFID Module

To install the smart card reader + LF/HF RFID module, follow the steps below:

1. Remove the 6 screws securing the CTO door to the lower case.

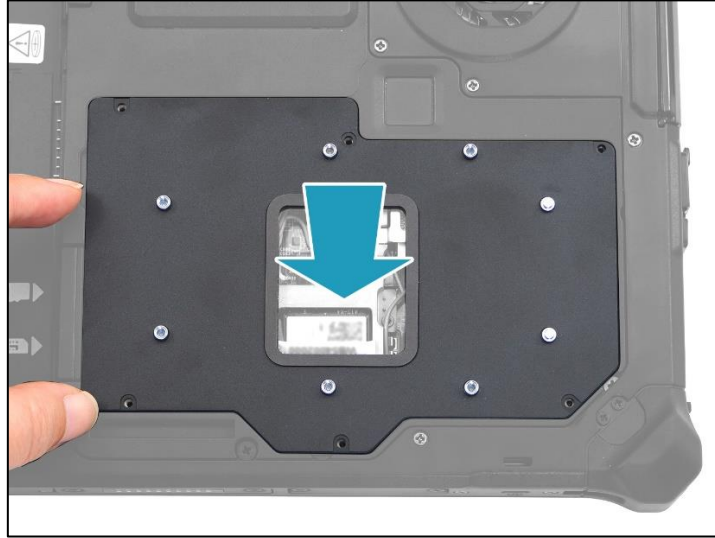


2. Remove the CTO door.

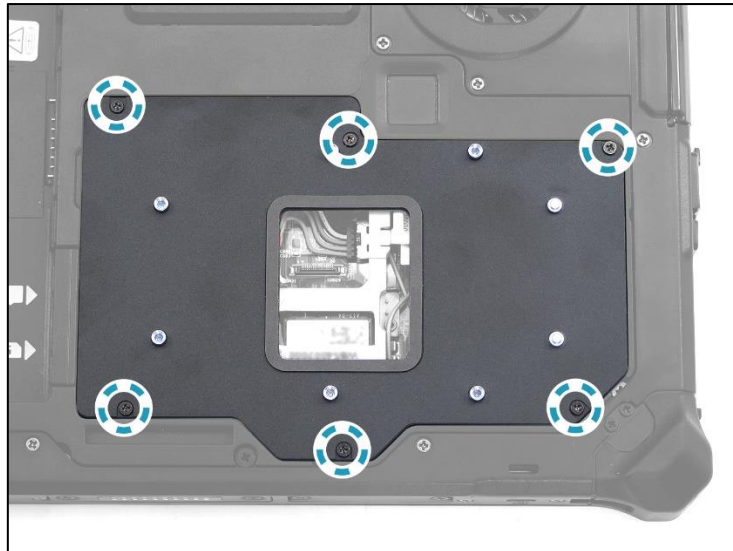


## R10 Expansion Modules Smart Card Reader + LF/HF RFID

3. Install the CTO door plate onto its compartment on the lower case.

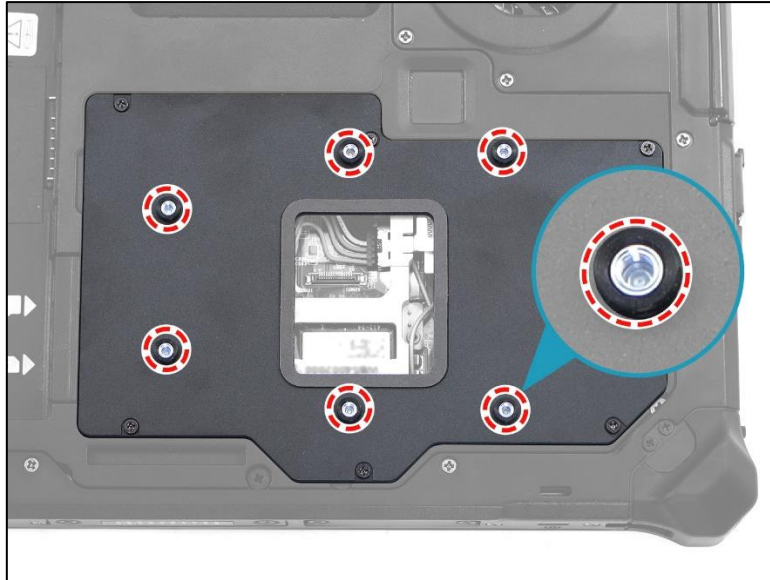


4. Attach the 6 screws to secure the CTO door plate to the lower case.



## R10 Expansion Modules Smart Card Reader + LF/HF RFID

5. Attach the 6 rubber washers to the screw holes on the CTO door plate.

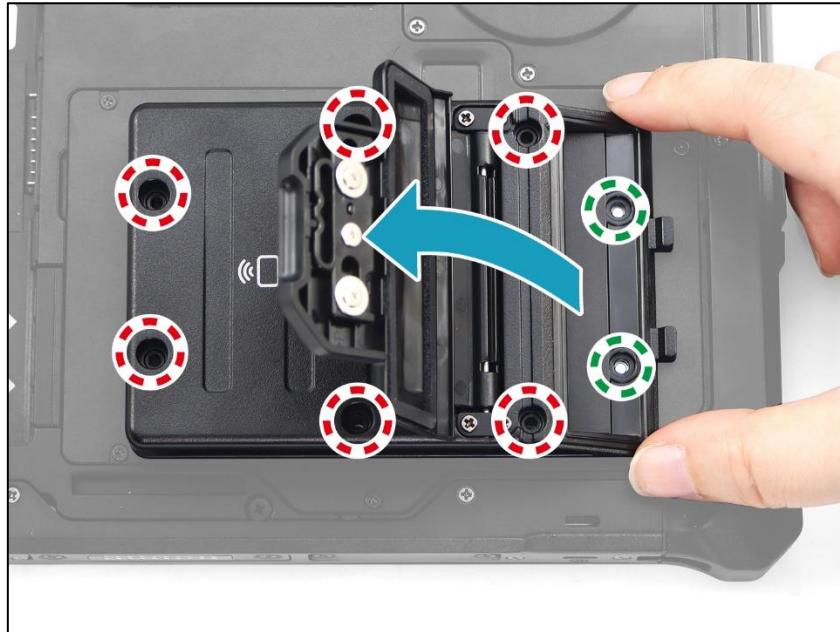


6. Connect the smart card reader + LF/HF RFID module harness to the mainboard connector.

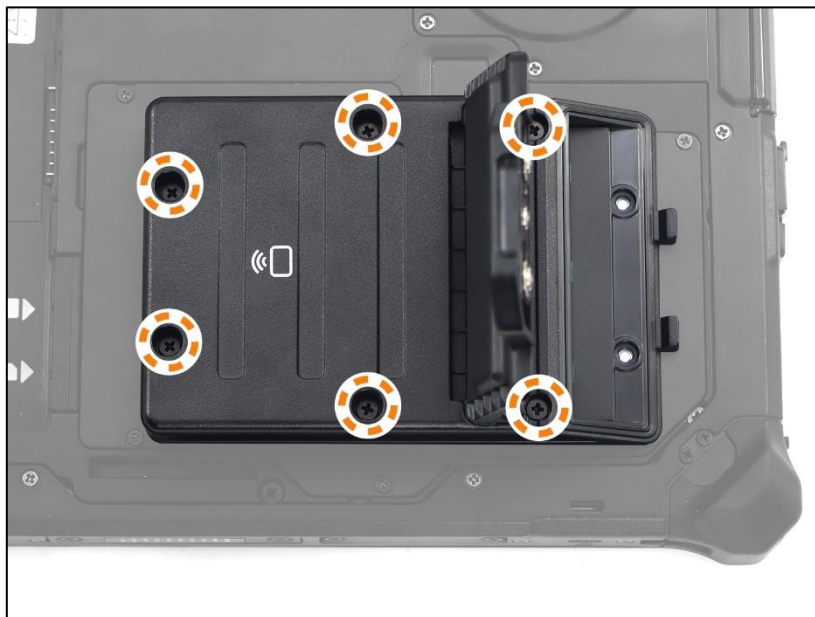


## R10 Expansion Modules Smart Card Reader + LF/HF RFID



7. Align the smart card reader + LF/HF RFID module with the guide pins (marked in green) and the screw holes (marked in red). Then install the smart card reader + LF/HF RFID module onto its compartment on the CTO door plate.



8. Attach the 6 screws to secure the smart card reader + LF/HF RFID module to the lower case.



**Smart Card Reader + LF/HF RFID Module Screws**

<b>Screw Name</b>	<b>Screw Type</b>	<b>Quantity</b>	<b>Torque</b>
M2.6X12L & O RING		6 (module to CTO door plate)	2.0 ± 0.3 Kgf-cm
ISOT-M2X4L		6 (CTO door plate to lower case)	2.0 ± 0.3 Kgf-cm