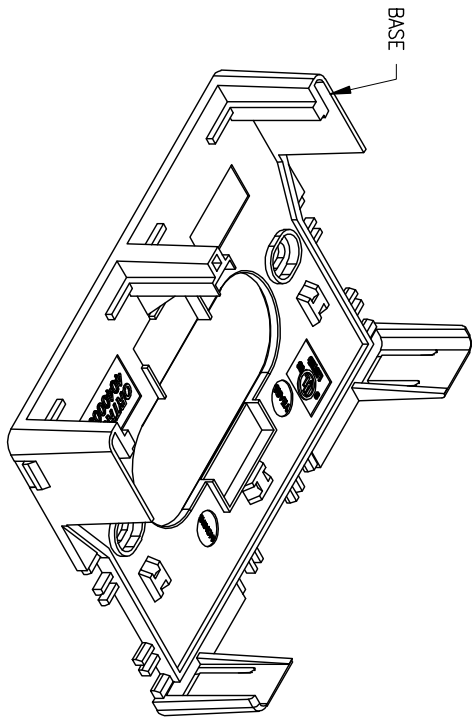
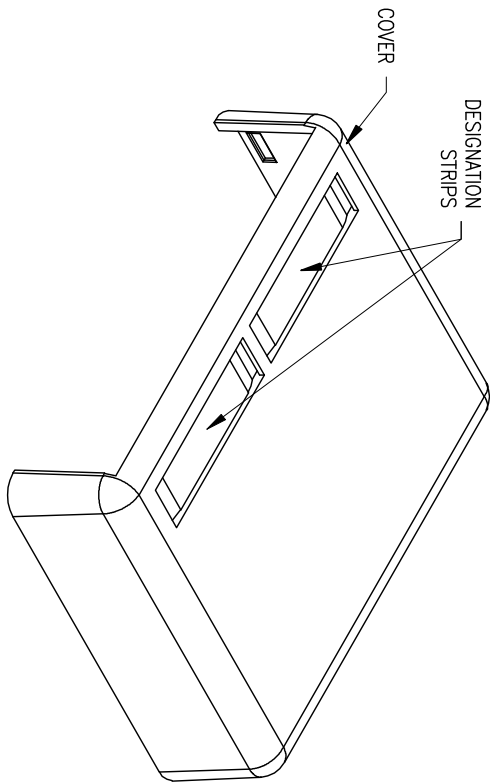


PART NO.	COLOR
404S22U	FOG WHITE



*** NOTICE ***

THIS DOCUMENT CONTAINS CONFIDENTIAL AND/OR PROPRIETARY INFORMATION INTENDED FOR USE ONLY BY THE INDIVIDUAL(S) SPECIFIED HEREIN AND ONLY FOR THE PURPOSE(S) PROVIDED. NEITHER THIS DOCUMENT, NOR ANY INFORMATION CONTAINED HEREIN, MAY BE COPIED, DISTRIBUTED, DISCLOSED TO ANY THIRD PARTY OR USED IN ANY MANNER OTHER THAN FOR WHICH IT HAS BEEN PROVIDED, WITHOUT THE PRIOR WRITTEN CONSENT OF ORTRONICS, INC.



NEW LONDON, CT 06320
(860) 445-3800

DRAWN BY: W. DIETZ DATE: 10/22/07

CHECK BY: C.A. COLLELO DATE: 10/29/07

APP. BY: M. MARTICH DATE: 10/29/07

TITLE
S11, 2 SIDE BY SIDE MODULES
SURFACE MOUNT BOX

SIZE	CAD FILE	PART NUMBER	REV
A	404S22UXXC	OR-404S22U-XX	01
SCALE	REL DATE	SHEET	
NONE	03/17/09	1 OF 1	