

# Eluxa AMT Multi-tone Horns and Multi-tone Strobe appliances



## Description

The Eluxa AMT multitone horns and strobes provide the industry with a UL Standard 1971 and UL Standard 464 combination audible/visual device that simplifies installation and offers three (3) distinct prioritized audible signals from three isolated inputs. Priority (1) will override all other commands upon activation.

The Eluxa AMT offers a choice of eight (8) self-prioritized sound combinations for suppression releasing systems, combination security and emergency evacuation systems and high-risk installations as well as many other applications.

The Eluxa AMT multi-tone strobe is designed for ADA applications while meeting or exceeding the latest requirements of NFPA 72 (the National Fire Alarm Code), ANSI 117.1 (the American National Standard For Accessible and Usable Buildings and Facilities) and UL Standard 1971 (Standard for Signaling Devices for the Hearing Impaired).

Each Eluxa AMT addressable multi-tone horns and multi-tone strobe appliance have two user selective sound output levels: STANDARD dBA and HIGH dBA. The Eluxa AMT multi-tone horn provides 12VDC or 24VDC operation, filtered

or FWR. The Eluxa AMT Multi-tone Horns and Multi-tone Strobe Appliances operate at 24VDC and may be used with filtered or unfiltered (full-wave-rectified) input voltages. Separate supervised sets of input terminals are available for each prioritized input. Jumper plugs are provided to enable both tone and strobe to operate simultaneously for all inputs.

The Eluxa AMT multitone strobe appliances are UL Listed for indoor use, wall mount, under Standard 1971 for Signaling Devices for the Hearing Impaired as well as UL1638 for Visual Signaling Devices & Standard 464 for Audible Signal Appliances and use a LED light source with solid state circuitry enclosed in a rugged lens to provide maximum reliability for effective visible signaling.

All models may be synchronized using the Wheelock DSM Sync Modules, Wheelock Power Supplies or other manufacturers panels incorporating the Wheelock Patented Sync Protocol.

# EAT•N

Powering Business Worldwide

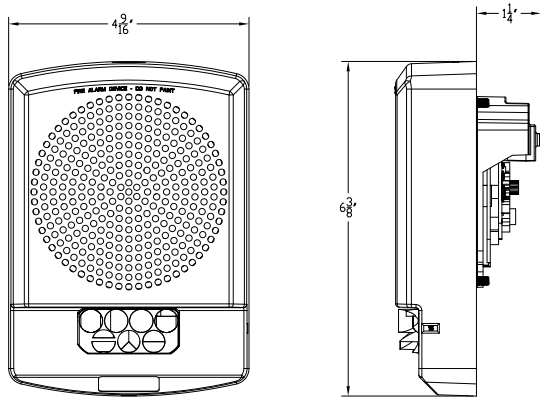


Figure 1. ELAMTSTR

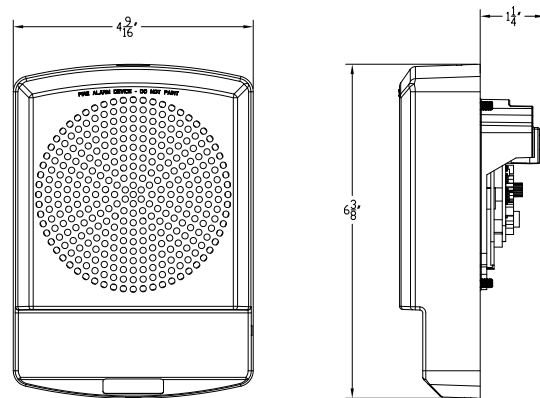


Figure 2. ELAMT

### Features

- Approvals include: UL Standard 1971, UL1638 for Visual Signaling Devices & UL Standard 464, FCC, ULC, Factory Mutual (FM), California State Fire Marshal (CSFM), See approvals by model in Specifications and Ordering Information
- Compliance with RFI limits in FCC Part 15, Class B for compatibility with sensitive detection and communication circuits
- Designed to meet or exceed NFPA/ANSI Standards and ADA Accessibility Guidelines. Meets OSHA 29 Parts 1910.165
- Three separate prioritized inputs that will activate three isolated signals
- All inputs are supervised
- Code-3 Horn and Tone meet ANSI/NFPA/ISO temporal pattern
- Two power taps for high dBA and standard dBA @ 10 feet
- Low current draw to reduce power consumption and wiring costs
- Eluxa AMT Strobe models are available with Wheelock patented MCW Multi-Candela strobes with field selectable candela settings at 15/30/75/110/135/185 cd
- Eluxa AMT with strobe can be wired to flash independently or in unison with all audible signals
- Strobes synchronize using the Wheelock Sync Modules or panels with built-in Wheelock Patented Sync Protocol
- Selectable input voltage (12 or 24 VDC) horn, non-strobe applications
- Polarized inputs for compatibility with standard reverse polarity type supervision of circuit wiring by an alarm panel

- Low-cost installation via standard electrical boxes. Attractive flush or surface mounting options
- No additional trim plate required for flush mounting. Fast installation with In/Out screw terminals using #12 to #18 AWG

**Note:** Please read these specifications and associated installation instructions, before using, specifying, or installing this product. Visit [Eaton.com/lifesafetynotification](http://Eaton.com/lifesafetynotification) for current installation instructions.

### General Notes

- Strobes are designed to flash at 1 flash per second minimum over their "Regulated Voltage Range." Note that NFPA-72 specifies a flash rate of 1 to 2 flashes per second.
- All candela ratings represent minimum effective Strobe intensity based on UL 1971

**Table 1. Maximum RMS Current for Strobe**

Model	Regulated Voltage Range	UL Max Current					
		24MCW					
		15cd	30cd	75cd	110cd	135cd	185cd
ELAMTSTR	16.0-33.0	0.017	0.022	0.053	0.079	0.106	0.161

**Table 2. Eluxa ELAMT and Eluxa ELAMTS – Horn Current and Sound Pressure Level Ratings**

Tone	Tone Description	Volume	Maximum RMS Current (AMPS)				Reverberant dBA at 10ft Per UL464/ULC525	
			Regulated 12V (ELAMT only)		Regulated 24V		Regulated 12V (ELAMT only)	Regulated 24V
			8-17.5VDC	8-17.5VFWR	16-33VDC	16-33VFWR		
Horn	Broadband Horn (Continuous)	HI	0.210	0.230	0.108	0.092	88	88
		STD	0.058	0.103	0.044	0.050	72	83
Bell	1560 Hz Modulated (0.07 Sec. ON/Repeat)	HI	0.117	0.150	0.057	0.067	78	81
		STD	0.031	0.057	0.026	0.028	63	74
March Time	Horn (0.25 Sec. ON/0.25 Sec. OFF/Repeat)	HI	0.210	0.229	0.108	0.092	85	88
		STD	0.059	0.091	0.035	0.050	69	83
Code 3 Horn	Horn (ANSI S3.41 Temporal Pattern)	HI	0.210	0.241	0.122	0.092	84	88
		STD	0.057	0.093	0.043	0.050	68	83
Code 3 Tone	500 Hz (ANSI S3.41 Temporal Pattern)	HI	0.168	0.216	0.135	0.110	81	81
		STD	0.052	0.100	0.035	0.032	65	76
Slow Whoop	500-1200Hz Sweep (4 sec ON/0.5 sec OFF/Repeat)	HI	0.182	0.212	0.112	0.092	87	87
		STD	0.056	0.110	0.044	0.050	69	81
Siren	600-1200Hz Sweep (1.0 Sec. ON/Repeat)	HI	0.177	0.197	0.104	0.092	86	87
		STD	0.055	0.107	0.042	0.043	69	81
HI/LO	1000/800 Hz (0.25 Sec. ON/Alternate)	HI	0.131	0.186	0.064	0.063	86	84
		STD	0.028	0.088	0.035	0.035	68	79
Vibrating Chime	700Hz (1.0 Sec. Decay/Repeat)	HI	0.090	0.108	0.041	0.044	75	77
		STD	0.028	0.042	0.020	0.029	58	71

**Table 3. Specifications and Ordering Information**

Model #	Input Voltage	Candela	Color	Mounting	Sync w/DSM or Wheelock Power Supplies
ELAMTR	12/24		Red	Wall/Ceiling	X
ELAMTW	12/24		White	Wall/Ceiling	X
ELAMTSTR	24	15/30/75/110/135/185	Red	Wall	X
<b>Accessories</b>					
ELSPKBB-R	Eluxa LED Backbox		Red	Wall	
ELSPKBB-W	Eluxa LED Backbox		White	Wall	

## Architects and Engineers Specifications

When notification appliances are required for applications with more than one function, an appliance with multiple inputs and capable of being programmed shall be used. The notification appliance shall be capable of accepting three (3) individual DC signals and providing three (3) distinct audible signals. In the event the signals are simultaneous, the priority shall be as follows. Highest priority = PR1, Second priority = PR2 and the Third priority = PR3. With the addition of the Strobe, the appliance shall operate with an independent input DC voltage to the strobe terminals. When it is desired to operate the strobe with all of the audible signals, a set of jumpers shall be provided.

The notification appliance shall be a Eluxa AMT audible/visual appliance or equivalent. Notification appliance shall be electronic and use solid state components. Electromechanical alternatives are not approved. Tone selection shall be by dip switch assembly. The audible and the strobe shall be able to operate from a single NAC circuit while producing any of these tones. The appliances shall provide two output sound levels: STANDARD and HIGH dBA. The HIGH anechoic dBA measurement at 10 feet at the alarm HORN SETTING shall be 88 dBA for Eluxa AMT and 88 dBA for Eluxa AMT Strobes, at nominal voltage. Operating voltages shall be either 12VDC (Audible only) or 24VDC using filtered power or unfiltered power supply (full-wave-rectified). All models shall have provisions for standard reverse polarity type supervision and IN/OUT field wiring using terminals that accept #12 to #18 AWG wiring. When strobe synchronization is required, the strobe appliance shall be compatible with Wheelock's DSM Sync Modules, Wheelock Power Supplies or other manufacturers panels with built-in Wheelock Patented Protocol.

Combination audible/visual appliances shall incorporate a LED enclosed in a rugged lens or equivalent with solid state circuitry. Strobe shall meet UL 1971 and produce a flash rate of one (1) flash per second minimum over the Listed input voltage (16VDC-33VDC) range. The ELAMTSR shall be specified when field selectable 15/30/75/110/135/185 candela ratings are required.

All UL Standard 1971 & UL1638 for Visual Signaling Devices Listed strobe appliances shall be verified to meet FCC Part 15, Class B. Strobe activation shall be via independent input or from the same input circuit as the audible.

The combination audible/visual appliances may be installed indoors and surface or flush mounted. They shall mount to standard electrical hardware requiring no additional trim plate or adapter. The aesthetic appearance shall not have any mounting holes or screw heads visible when the installation is completed. The appliance shall be finished in a textured red color.

UL, ULC, CSFM, FM, FCC

**Note:** Due to continuous development of our products, specifications and offerings are subject to change without notice in accordance with Cooper Wheelock Inc., dba Eaton standard terms and conditions.



WE ENCOURAGE AND SUPPORT NICET CERTIFICATION  
3 YEAR WARRANTY

**Eaton**  
1000 Eaton Boulevard  
Cleveland, OH 44122  
United States  
Eaton.com

**Eaton Life safety & mass  
notification solutions**  
273 Branchport Ave.  
Long Branch, NJ 07740  
www.eaton.com/lifesafetynotification

© 2025 Eaton  
All Rights Reserved  
Printed in USA  
Publication No. TD450193EN  
March 2025