

# Eluxa outdoor multi-tone colored lens 3R/4X strobes

EL3R/EL4XMTSTB (Blue), EL3R/EL4XMTSTG (Green) and EL3R/EL4XMTSTR (Red)



The Wheelock Eluxa 4X/3R weatherproof series EL3RMTST/EL4XMTST Multi-Tone colored lens strobe appliances are designed for easy installation with a pre-wire capable EL4XBB surface box or EL3RMP mounting plate. Eluxa 4X/3R Multi-Tone Strobe (Blue, Green or Red) is UL Certified under Standard UL1638 for Visual Signaling Devices and Standard 464 for Audible Signaling Devices. The Eluxa 4X/3R Multi-Tone is also ULC Listed under Standard ULC526 for Visual Signaling Devices and under Standard ULC525 for Audible Signaling Devices for Fire Alarm Systems. All models are listed for indoor/outdoor use, and for wall or ceiling mount.

## Rugged

The cutting-edge solution delivers optimal performance thanks to its NEMA type 3R and 4X ratings, which make it resistant to corrosion and ice formation (4X only). The IP54 and IP66 ratings provide superior protection against dust and water, making it ideal for areas of high humidity, extreme heat, or severe cold.

## Energy Efficient

With six candela settings in a single device, Eluxa features one of the industry's lowest current draws across the full candela range. The Eluxa outdoor product line reduces overall power consumption, allowing for more appliances on each circuit (NAC) and fewer power supplies.

## Compliance and Approvals

- Certified to NEMA type 3R | 4X
- IP54 | IP66 Certified | Tested to IP67
- NFPA 72 2016 (Meets maximum light pulse duration of 20 ms)
- IEC 60529 2nd edition + amendment 3- August 2013
- FCC Part 15B / ICES-003- Class A
- UL 50 13th edition- October 2020
- UL 50E 3rd edition- October 2020
- UL464 11th edition: CAN/ULC 525 5th edition- May 2023
- UL1480 7th edition: CAN/ULC 541 5th edition- May 2023
- UL1638 6th edition: CAN/ULC 526 5th edition- April 2023
- California State Fire Marshal (CSFM)
- Factory Mutual (FM)
- ADA/NFPA/ANSI/OSHA

## Complete and Compliant

The Wheelock Eluxa 4X/3R series meets NFPA 2016 20 millisecond light pulse duration code requirements. In addition, the Wheelock Eluxa and LED3 product lines have been UL/ULC certified as compatible with all Fire Alarm Control Panels (FACP) and accessories that have been determined to be compatible with Wheelock model RSS Strobe based products including the RSS, ASWP, CH, E, EH, ET,ST,HS,MT,S8, SA, STH and Z Series. Refer to FACP installation instructions for more detail. The

# EATON

Powering Business Worldwide

### Complete and Compliant

Wheelock Eluxa Series and Exceder LED3 Series strobes may be installed in the same notification zone and field of view with any RSS Strobe based product. installed in the same notification zone and field of view with any RSS Strobe based product.

Wheelock Eluxa 4X/3R Multi-Candela Strobes can provide a non-synchronized strobe appliance when connected directly to a Fire

Alarm Control Panel (FACP), or provide a synchronized strobe appliance when used in conjunction with an FACP that incorporates the Cooper Wheelock sync protocol, a Dual Sync Module (DSM), or the Wheelock Power Supply.

## Drawings

Figure 1. Eluxa outdoor 3R

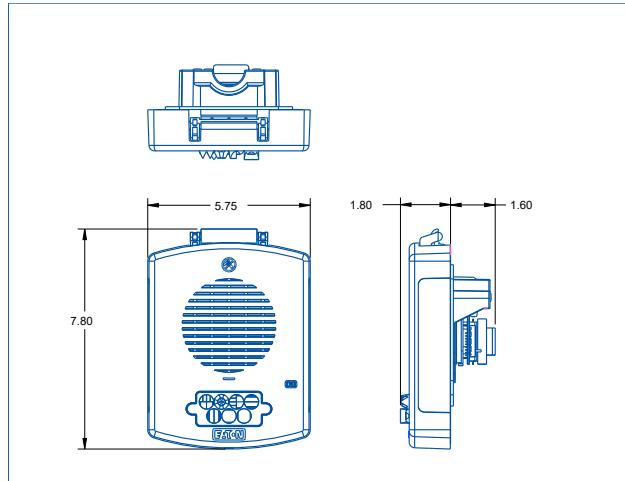
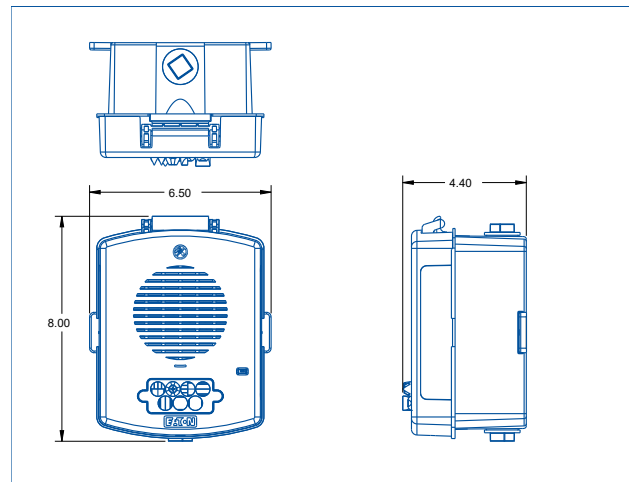


Figure 2. Eluxa outdoor 4X



**Table 1: EL4X/3R Multi-tone colored lens – Current and Sound Pressure Level Ratings**

Tone	Volume	Maximum RMS Current (AMPS)		Reverberant dBA at 10ft Per UL464/ULC-525
		16-33VDC	16-33VFWR	
Horn	HI	0.108	0.087	88
	STD	0.044	0.045	83
Bell	HI	0.053	0.067	81
	STD	0.024	0.028	75
March Time	HI	0.104	0.087	88
	STD	0.087	0.045	83
Code 3 Horn	HI	0.122	0.087	88
	STD	0.035	0.045	83
Code 3 Tone	HI	0.135	0.110	81
	STD	0.035	0.032	76
Slow Whoop	HI	0.098	0.092	87
	STD	0.037	0.042	81
Siren	HI	0.104	0.092	87
	STD	0.042	0.040	81
HI/LO	HI	0.057	0.063	84
	STD	0.035	0.035	79

**Table 1A: EL4X/3R Multi-tone horn Directional Characteristics**

-3dB	+/- 43 Degrees Horizontal, +/- 48 Degrees Vertical
-6dB	+/- 53 Degrees Horizontal, +/- 56 Degrees Vertical
-18dB	+/- 90 Degrees Horizontal/Vertical

**Table 2. EL3RMST/EL4XMST Colored Strobe Ratings at 24V (AMPS)**

		<b>UL/ULC Max Current</b>					
		<b>24VDC  FWR</b>					
<b>Blue lens model</b>	<b>Regulated Voltage Range VDC</b>	<b>15</b>	<b>30</b>	<b>75</b>	<b>95</b>	<b>135</b>	<b>150</b>
EL3RMTSTB-NW	16.0-33.0	0.026	0.038	0.070	0.097	0.179	0.206
EL4XMTSTB - NW	16.0-33.0	0.026	0.038	0.070	0.097	0.179	0.206
	<b>FWR</b>	0.034	0.053	0.098	0.137	0.235	0.308
<b>Green lens model</b>		<b>15</b>	<b>30</b>	<b>60</b>	<b>75</b>	<b>115</b>	<b>125</b>
EL3RMTSTG-NW	16.0-33.0	0.026	0.038	0.070	0.097	0.179	0.206
EL4XMTSTG-NW	16.0-33.0	0.026	0.038	0.070	0.097	0.179	0.206
	<b>FWR</b>	0.034	0.053	0.098	0.137	0.235	0.308
<b>Red lens model</b>		<b>10</b>	<b>20</b>	<b>40</b>	<b>50</b>	<b>75</b>	<b>80</b>
EL3RMTSTR-NW	16.0-33.0	0.026	0.038	0.070	0.097	0.179	0.206
EL4XMTSTR-NW	16.0-33.0	0.026	0.038	0.070	0.097	0.179	0.206
	<b>FWR</b>	0.034	0.053	0.098	0.137	0.235	0.308

**Table 3. Specifications**

<b>Physical</b>	
Material	Red or white textured UV stabilized, colored impregnated engineered plastic.
Weight	3R = 1.7 lbs 4X = 2.3
Lens	Light Emitting Diode (LED) in a rugged Lexan lens
Dimensions	3R: 7.8"L x 5.75"W x 1.6"H 4X: 8"L x 6.5"W x 4.5"H
Operating Temperature	Indoor/Outdoor Use. -40° C to 66° C (-40° F to 150° F) 95% R.H.
<b>Mounting &amp; Wire Connections</b>	
Mounting	Wall & Ceiling
Wire Connections	18 to 12 AWG. 2 wire. MTS is 4 wire
<b>Power &amp; General</b>	
Operating voltage	16-33 VDC/FWR.
Strobe Output Rating	Blue 15/30/75/95/135/150 Cd on-axis Red 10/20/40/50/75/80 Cd on-axis Green 15/30/60/75/115/125 Cd on-axis
Strobe Flash Rate	1 Hz
Synchronization Models	ALL

**Table 4. Ordering Information**

<b>Model</b>	<b>Strobe Candela</b>	<b>White</b>	<b>Lens Color</b>	<b>Mounting</b>	<b>Sync with DSM or Wheelock Power Supplies</b>
EL3RMTSTB-NW	15cd/ 30cd/ 75cd/ 95cd/ 135cd/ 150cd	X	Blue	Ceiling or Wall	X
EL4XMTSTB-NW	15cd/ 30cd/ 75cd/ 95cd/ 135cd/ 150cd	X	Blue	Ceiling or Wall	X
EL3RMTSTG-NW	15cd/ 30cd/ 60cd/ 75cd/ 115cd/ 125cd	X	Green	Ceiling or Wall	X
EL4XMTSTG-NW	15cd/ 30cd/ 60cd/ 75cd/ 115cd/ 125cd	X	Green	Ceiling or Wall	X
EL3RMTSTR-NW	10cd/ 20cd/ 40cd/ 50cd/ 75cd/ 80cd	X	Red	Ceiling or Wall	X
EL4XMTSTR-NW	10cd/ 20cd/ 40cd/ 50cd/ 75cd/ 80cd	X	Red	Ceiling or Wall	X

**Table 5. Accessories**

<b>Standard Letter Plates</b>	<b>Color</b>	<b>Description</b>
ELLP-FW (10Pk)	White	ELUXA LETTER PLATE, WHITE, FIRE (10 PAIR PER PKG. - 1 PAIR PER DEVICE)
ELLP-NW (10Pk)	White	ELUXA LETTER PLATE, WHITE, NO LETTERING (10 PAIR PER PKG. - 1 PAIR PER DEVICE)
ELLP-AW (10Pk)	White	ELUXA LETTER PLATE, WHITE, AGENT (10 PAIR PER PKG. - 1 PAIR PER DEVICE)
ELLP-ALW (10Pk)	White	ELUXA LETTER PLATE, WHITE, ALERT (10 PAIR PER PKG. - 1 PAIR PER DEVICE)
<b>Special Project Letter Plates</b>	<b>Color</b>	<b>Description</b>
ELLP-COW (10Pk)	White	ELUXA LETTER PLATE, WHITE, CARBON MONOXIDE (10 PAIR PER PKG. - 1 PAIR PER DEVICE)
ELLP-CO2W (10Pk)	White	ELUXA LETTER PLATE, WHITE, CARBON DIOXIDE (10 PAIR PER PKG. - 1 PAIR PER DEVICE)
ELLP-EVW (10Pk)	White	ELUXA LETTER PLATE, WHITE, EVACUATE (10 PAIR PER PKG. - 1 PAIR PER DEVICE)
ELLP-MW (10Pk)	White	ELUXA LETTER PLATE, WHITE, EMERGENCY (10 PAIR PER PKG. - 1 PAIR PER DEVICE)
ELLP-FFW (10Pk)	White	ELUXA LETTER PLATE, WHITE, FIRE / FEU (10 PAIR PER PKG. - 1 PAIR PER DEVICE)
<b>Back Box</b>	<b>Color</b>	<b>Description</b>
EL4XBB-W	White	NEMA 4X SURFACE BACKBOX, WHITE

## Architects and Engineers Specifications

The colored lens outdoor strobe appliances shall be Wheelock® Eluxa EL3R/EL4XMTSTB (Blue), EL3R/EL4XMTSTG (Green) and EL3R/EL4XMTSTR (Red) multi-tone strobe appliances for wall or ceiling-mount applications with a low-profile design or approved equals. Strobes shall include blue, green and red lens models. Special lettering, including ALERT and no lettering, shall be available. The Series EL3R/4XMTST strobes shall be certified for: Certified to NEMA type 3R | 4X, IP54 | IP66 Certified | Tested to IP67, NFPA 72 2016 (Meets maximum light pulse duration of 20ms), IEC 60529 2nd edition + amendment 3- August 2013, FCC Part 15B / ICES-003- Class A, UL 50 13th edition- October 2020, UL 50E 3rd edition- October 2020, UL464 11th edition: CAN/ULC 525 5th edition- May 2023, UL1480 7th edition: CAN/ULC 541 5th edition- May 2023, UL1638 6th edition: CAN/ULC 526 5th edition- April 2023, California State Fire Marshal (CSFM), Factory Mutual (FM), ADA/NFPA/ANSI/OSHA . All inputs shall be compatible with standard reverse polarity supervision of circuit wiring by a Fire Alarm Control Panel (FACP) with the ability to operate from 16 to 33 VDC/VFWR.

The outdoor multitone colored lens strobe series EL3R/4XMTST appliances shall produce a flash rate of one (1) flash per second over the Regulated Voltage Range and shall incorporate a Light Emitting Diode (LED) as the light source with a rugged Lexan® lens. The Series shall be of low current design. The LED strobe flash duration shall be 20 ms. The blue lens strobe intensity shall have 6 field selectable settings at 15cd/ 30cd/ 75cd/ 95cd/ 135cd/ 150cd candela for wall or ceiling mount applications. The green lens strobe intensity shall have 6 field selectable settings at 15cd/ 30cd/ 60cd/ 75cd/ 115cd/ 125cd/150cd candela for

wall or ceiling mount applications. The red lens strobe intensity shall have 6 field selectable settings at 10cd/ 20cd/ 40cd/ 50cd/ 75cd/ 80cd candela for wall or ceiling mount applications. The selector switch for selecting the candela shall be tamper-resistant. Appliances with candela settings shall show the candela selection in a visible location at all times when installed.

The outdoor multitone colored lens strobe series EL3R/4XMTST appliances shall include a mounting plate or surface mounting box from the factory. The outdoor series EL3R/4XMTST incorporates pre-wire, pre-test mounting plate and back box terminals. The outdoor series EL3R/4XMTST rated to NEMA type 3R, IP54 and NEMA type 4X, IP66 respectively, when used with the included mounting accessory. Two wire appliance wiring shall be capable of directly connecting to the mounting plate or back box. Removal of an appliance shall result in a supervision fault condition by the Fire Alarm Control Panel (FACP). All notification appliances shall be backwards compatible.

The colored lens outdoor strobe series EL3R/4XMTST appliances shall provide installers ease of installation provided by the self-supporting hanging hinge feature.

When synchronization is required, the appliance shall be compatible with Wheelock’s DSM Sync Modules, PS Power Supplies, SAFEPATH Intelligent Notification Controller products or other manufacturer’s panels with built-in Wheelock® Patented Sync Protocol. The strobes shall not drift out of synchronization at any time during operation. If the sync protocol fails to operate, the strobe shall revert to a non-synchronized flash rate and still maintain (1) flash per second over its Regulated Voltage Range.

**Note:** Due to continuous development of our products, specifications and offerings are subject to change without notice in accordance with Cooper Wheelock Inc.. dba “Eaton” Standard terms and conditions apply.

**Eaton**  
 1000 Eaton Boulevard  
 Cleveland, OH 44122  
 United States  
 Eaton.com

Life safety and mass notification solutions  
 273 Branchport Ave  
 Long Branch, NJ 07740  
 Eaton.com/Lifesafetynotification

© 2025 Eaton  
 All Rights Reserved  
 Printed in USA  
 Publication No. TD450186EN  
 July 2025

Eaton is a registered trademark.

All other trademarks are property of their respective owners.