

Eluxa outdoor colored lens 4X/3R strobes

EL4XSTB/EL3RSTB (Blue), EL4XSTG/EL3RSTG (Green) and EL4XSTR/EL3RSTR (Red)



The Wheelock Eluxa weatherproof series EL4XSTB/EL3RSTB (Blue), EL4XSTG/EL3RSTG (Green) and EL4XSTR/EL3RSTR (Red) strobe appliances are designed for easy installation with a pre-wire capable EL4XBB back box or EL3RMP mounting plate. Eluxa 4X/3R strobes are designed for 24V operation. All Eluxa 4X/3R models are for indoor/outdoor use and wall or ceiling mount.

Rugged

The cutting-edge solution delivers optimal performance thanks to its NEMA type 3R and 4X ratings, which make it resistant to corrosion, ice formation. The IP54 and IP66 ratings provide superior protection against dust and water, making it ideal for areas of high humidity, extreme heat, or severe cold.

Energy Efficient

With six candela settings in a single device, Eluxa features one of the industry's lowest current draws across the full candela range. The Eluxa outdoor product line reduces overall power consumption, allowing for more appliances on each circuit (NAC) and fewer power supplies.

Compliance and Approvals

- Certified to NEMA type 3R | 4X
- IP54 | IP66 Certified | Tested to IP67
- NFPA 72 2016 (Meets maximum light pulse duration of 20 ms)
- IEC 60529 2nd edition + amendment 3- August 2013
- FCC Part 15B / ICES-003- Class A
- UL 50 13th edition- October 2020
- UL 50E 3rd edition- October 2020
- UL464 11th edition: CAN/ULC 525 5th edition- May 2023
- UL1480 7th edition: CAN/ULC 541 5th edition- May 2023
- UL1638 6th edition: CAN/ULC 526 5th edition- April 2023
- California State Fire Marshal (CSFM)
- Factory Mutual (FM)
- ADA/NFPA/ANSI/OSHA



Powering Business Worldwide

Complete and Compliant

The Wheelock Eluxa 4X/3R series meets NFPA 2016 20 millisecond light pulse duration code requirements. In addition, the Wheelock Eluxa and LED3 product lines have been UL/ULC listed as compatible with all Fire Alarm Control Panels (FACP) and accessories that have been determined to be compatible with Wheelock model RSS Strobe based products including the RSS, ASWP, CH, E, EH, ET,ST,HS,MT,S8, SA, STH and Z Series. The maximum number of Eluxa devices per NAC is determined by dividing the maximum current rating of the FACP NAC by the total current rating of one Eluxa device, with a maximum of 105 Eluxa (or LED3) devices per NAC. Refer to FACP installation instructions for more detail. The Wheelock Eluxa Series and Exceder LED3 Series strobes may be installed in the same notification zone and field of view with any RSS Strobe based product.

Wheelock Eluxa 4X/3R Multi-Candela Strobes can provide a non-synchronized strobe appliance when connected directly to a Fire Alarm Control Panel (FACP), or provide a synchronized strobe appliance when used in conjunction with an FACP that incorporates the Cooper Wheelock sync protocol, a Dual Sync Module (DSM), or the Wheelock Power Supply.

Drawings

Figure 1. Eluxa outdoor 4X

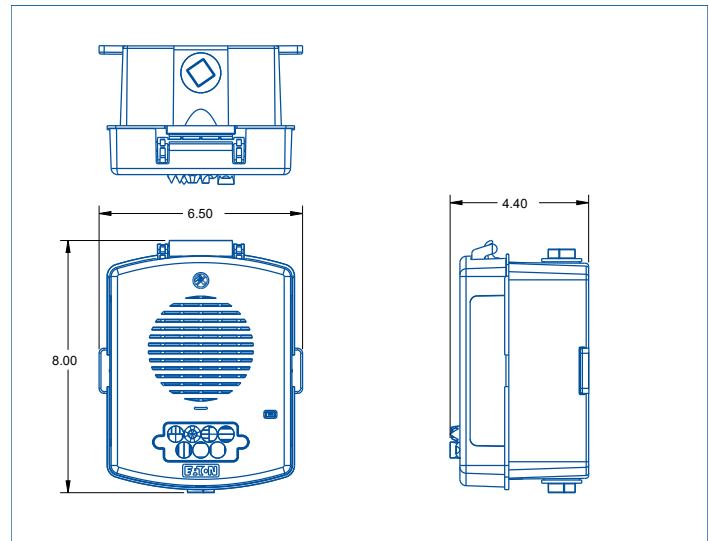


Fig 2. Eluxa outdoor 3R

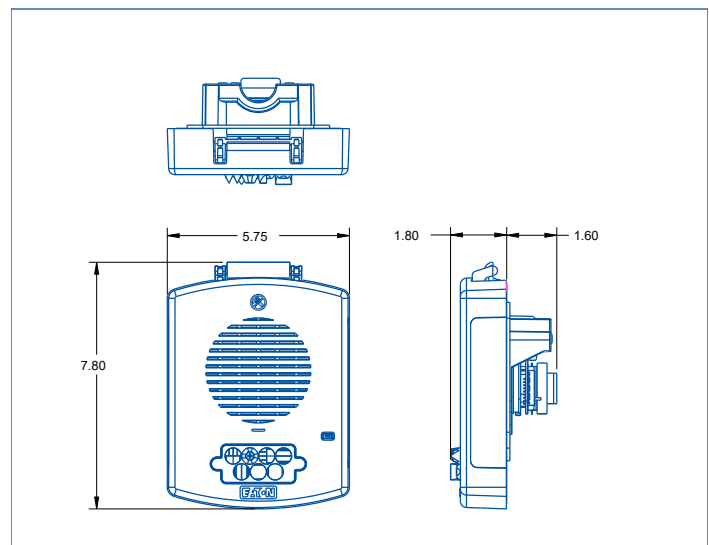


Table 1. Strobe Rating

	Regulated Voltage Range VDC	UL/ULC Max Current					
		24VDC					
Blue lens model		15	30	75	95	135	150
EL3RSTB-NW	16.0-33.0	0.026	0.038	0.070	0.097	0.179	0.206
EL4XSTB - NW	16.0-33.0	0.026	0.038	0.070	0.097	0.179	0.206
	FWR	0.034	0.053	0.098	0.137	0.235	0.308
Green lens model		15	30	60	75	115	125
EL3RSTG-NW	16.0-33.0	0.026	0.038	0.070	0.097	0.179	0.206
EL4XSTG-NW	16.0-33.0	0.026	0.038	0.070	0.097	0.179	0.206
	FWR	0.034	0.053	0.098	0.137	0.235	0.308
Red lens model		10	20	40	50	75	80
EL3RSTR-NW	16.0-33.0	0.026	0.038	0.070	0.097	0.179	0.206
EL4XSTR-NW	16.0-33.0	0.026	0.038	0.070	0.097	0.179	0.206
	FWR	0.034	0.053	0.098	0.137	0.235	0.308

Model	Strobe Candela	White	Lens Color	Mounting	Sync with DSM or Wheelock Power Supplies
EL3RSTB-NW	15cd/ 30cd/ 75cd/ 95cd/ 135cd/ 150cd	X	Blue	Ceiling or Wall	X
EL4XSTB - NW	15cd/ 30cd/ 75cd/ 95cd/ 135cd/ 150cd	X	Blue	Ceiling or Wall	X
EL3RSTG-NW	15cd/ 30cd/ 60cd/ 75cd/ 115cd/ 125cd	X	Green	Ceiling or Wall	X
EL4XSTG-NW	15cd/ 30cd/ 60cd/ 75cd/ 115cd/ 125cd	X	Green	Ceiling or Wall	X
EL3RSTR-NW	10cd/ 20cd/ 40cd/ 50cd/ 75cd/ 80cd	X	Red	Ceiling or Wall	X
EL4XSTR-NW	10cd/ 20cd/ 40cd/ 50cd/ 75cd/ 80cd	X	Red	Ceiling or Wall	X

Accessories

Standard Letter Plates	Color	Description
ELLP-FW (10Pk)	White	ELUXA LETTER PLATE, WHITE, FIRE (10 PAIR PER PKG. - 1 PAIR PER DEVICE)
ELLP-NW (10Pk)	White	ELUXA LETTER PLATE, WHITE, NO LETTERING (10 PAIR PER PKG. - 1 PAIR PER DEVICE)
ELLP-AW (10Pk)	White	ELUXA LETTER PLATE, WHITE, AGENT (10 PAIR PER PKG. - 1 PAIR PER DEVICE)
ELLP-ALW (10Pk)	White	ELUXA LETTER PLATE, WHITE, ALERT (10 PAIR PER PKG. - 1 PAIR PER DEVICE)
Special Project Letter Plates	Color	Description
ELLP-COW (10Pk)	White	ELUXA LETTER PLATE, WHITE, CARBON MONOXIDE (10 PAIR PER PKG. - 1 PAIR PER DEVICE)
ELLP-CO2W (10Pk)	White	ELUXA LETTER PLATE, WHITE, CARBON DIOXIDE (10 PAIR PER PKG. - 1 PAIR PER DEVICE)
ELLP-EVW (10Pk)	White	ELUXA LETTER PLATE, WHITE, EVACUATE (10 PAIR PER PKG. - 1 PAIR PER DEVICE)
ELLP-MW (10Pk)	White	ELUXA LETTER PLATE, WHITE, EMERGENCY (10 PAIR PER PKG. - 1 PAIR PER DEVICE)
ELLP-FFW (10Pk)	White	ELUXA LETTER PLATE, WHITE, FIRE / FEU (10 PAIR PER PKG. - 1 PAIR PER DEVICE)
Back Box	Color	Description
EL4XBB-W	White	NEMA 4X SURFACE BACKBOX, WHITE

Table 3. Specifications

Physical	
Material	Red or white textured UV stabilized, colored impregnated engineered plastic.
Weight	3R = 1.7 lbs 4X = 2.3
Lens	Light Emitting Diode (LED) in a rugged Lexan lens
ELLP-ALW (10Pk)	ELUXA LETTER PLATE, WHITE, ALERT (10 PAIR PER PKG. - 1 PAIR PER DEVICE)
Dimensions	3R: 7.8”L x 5.75”W x 1.6”H 4X: 8”L x 6.5”W x 4.5”H
Operating Temperature	Indoor/Outdoor Use. -40° C to 66° C (-40° F to 150° F) 95% R.H.
Mounting & Wire Connections	
Mounting	Wall & Ceiling
Wire Connections	18 to 12 AWG. 2 wire.
Power & General	
Operating voltage	16-33 VDC/FWR.
Strobe Output Rating	Blue 15/30/75/95/135/150 Cd on-axis Red 10/20/40/50/75/80 Cd on-axis Green 15/30/60/75/115/125 Cd on-axis
Strobe Flash Rate	1 Hz
Synchronization Models	ALL

Architects and Engineers Specifications

The colored lens outdoor strobe appliances shall be Wheelock® Eluxa EL3R/4XST visual strobe appliances for wall or ceiling-mount applications with a low-profile design or approved equals. Strobes shall include blue, green and red lens models. Special lettering, including ALERT and no lettering, shall be available. The Series EL3R/4XST strobes shall be listed for: Certified to NEMA type 3R | 4X, IP54 | IP66 Certified | Tested to IP67, NFPA 72 2016 (Meets maximum light pulse duration of 20 ms), IEC 60529 2nd edition + amendment 3- August 2013, FCC Part 15B / ICES-003- Class A, UL 50 13th edition- October 2020, UL 50E 3rd edition- October 2020, UL464 11th edition: CAN/ULC 525 5th edition- May 2023, UL1480 7th edition: CAN/ULC 541 5th edition- May 2023, UL1638 6th edition: CAN/ULC 526 5th edition- April 2023, California State Fire Marshal (CSFM), Factory Mutual (FM), ADA/NFPA/ANSI/OSHA. All inputs shall be compatible with standard reverse polarity supervision of circuit wiring by a Fire Alarm Control Panel (FACP) with the ability to operate from 16 to 33 VDC/VFWR.

The colored lens outdoor strobe series EL3R/4XST appliances shall produce a flash rate of one (1) flash per second over the Regulated Voltage Range and shall incorporate a Light Emitting Diode (LED) as the light source with a rugged Lexan® lens. The Series shall be of low current design. The LED strobe flash duration shall be 20 ms. The blue lens strobe intensity shall have 6 field selectable settings at 15cd/ 30cd/ 75cd/ 95cd/ 135cd/ 150cd candela for wall or ceiling mount applications. The green lens strobe intensity shall have 6 field selectable settings at 15cd/ 30cd/ 60cd/ 75cd/ 115cd/

125cd/150cd candela for wall or ceiling mount applications. The red lens strobe intensity shall have 6 field selectable settings at 10cd/ 20cd/ 40cd/ 50cd/ 75cd/ 80cd candela for wall or ceiling mount applications. The selector switch for selecting the candela shall be tamper-resistant. Appliances with candela settings shall show the candela selection in a visible location at all times when installed.

The colored lens outdoor strobe series EL3R/4XST appliances shall include a mounting plate or surface mounting box from the factory. The outdoor series EL3R/4XST incorporates pre-wire, pre-test mounting plate and back box terminals. The outdoor series EL3R/4XST rated to NEMA type 3R, IP54 and NEMA type 4X, IP66 respectively, when used with the included mounting accessory. Two wire appliance wiring shall be capable of directly connecting to the mounting plate or back box. Removal of an appliance shall result in a supervision fault condition by the Fire Alarm Control Panel (FACP). All notification appliances shall be backwards compatible.

The colored lens outdoor strobe series EL3R/4XST appliances shall provide installers ease of installation provided by the self-supporting hanging hinge feature.

When synchronization is required, the appliance shall be compatible with Wheelock®'s DSM Sync Modules, PS Power Supplies, SAFEPAH products or other manufacturer's panels with built-in Wheelock® Patented Sync Protocol. The strobes shall not drift out of synchronization at any time during operation. If the sync protocol fails to operate, the strobe shall revert to a non-synchronized flash rate and still maintain (1) flash per second over its Regulated Voltage Range.

Note: Due to continuous development of our products, specifications and offerings are subject to change without notice in accordance with Cooper Wheelock Inc., dba Eaton standard terms and conditions.

Eaton
1000 Eaton Boulevard
Cleveland, OH 44122
United States
Eaton.com

Life safety & mass notification solutions
273 Branchport Ave.
Long Branch, NJ 07740
Eaton.com/Lifesafetynotification

© 2025 Eaton
All Rights Reserved
Printed in USA
Publication No. TD450185EN
July 2025

Eaton is a registered trademark.

All other trademarks are property of their respective owners.