



Speaker and microphone kit to extend two-way communication with standard PoE power cameras

AVS01KIT

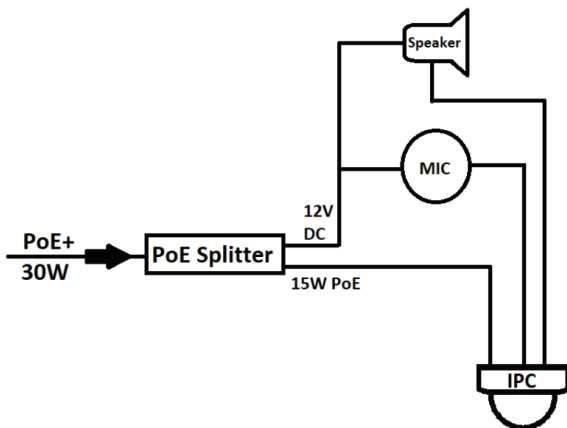
- 6" ABS plastic 20W amplified weatherproof speaker
- Surface mount line level microphone
- PoE splitter with PoE passthrough to provide standard PoE camera

Features

- Can be configured with any standard Speco PoE camera
- P.A. speaker amplifies two-way communication making it easier to be heard
- Microphone can be wall or ceiling mounted
- Microphone is designed for indoor spaces
- 2 year warranty
- NDAA compliant

PoE Splitter Specifications

Ports	1*10/100/1000M RJ45 PoE Input port 1*10/100/1000M RJ45 PoE Output port 1*DC Jack (DC OUT)
PoW Through Data Rate	10/100/1000Mbps
PoE Input	IEEE802.3af/at (30W)
DC Power Output	DC12V 1.2A
IEEE802.3af/at (30W)	IEEE802.3af/at (30W)
Combined Wattage	Max 27 watts (when using 12V DC out and PoE out simultaneously)
Wattage Consumption of Operation	Max 3 Watts
Connectors	Shielded RJ-45, EIA568A and 568B
Shielded RJ-45, EIA568A and 568B	Up to 100m



Speaker Specifications

Frequency Response	500Hz-5kHz
Input Impedance	3-16 Ohms
Output Audio	20W Max
Impedance	8 Ohms
Requires	10-16VDC (powered through PoE splitter)
Fuse	2A, 3AG
Dimensions	6" (W) x 6" (H) x 6.25" (L)
Weight	3 lbs.

Microphone Specifications

Range	10-120Sqft
Sensitivity	-42dB@1000Hz
S/N	Max 65dB
Operating Voltage	9-12VDC, 25mA (max)
Dimensions	3.4" (W) x 1" (H)
Connection Mode	Red (power), White (RCA audio)
Sensitivity Adjustments	On board, access through cutout on back of unit

Included Connectors

		QTY
3PC	Three-port connector	2
MC3.5	3.5mm stereo three pole male plug to bare wire	2
MPP	Male end Power Plug to bare wire	1
FPP	Female end Power Plug to bare wire	1
MRCA	Male RCA to bare wire	1
RCBC	Red crimp connectors	14



Compatible Cameras

O8VD3M
O4B9M
O4D9M
O6B1
O6B1M
O6D1
O6D1M
O6T1
O6T1M
O8D9M
O8B9M
O12B1M
O12D1M

O4FB2M
O4FD2M
O4FB2M
O4iD2M
O4TDD2M
O4BDD2M
O4BDD2
O8TDD2
O8TDD2M
O4DM
O4BM
O2BLP1M
O2BLP2M

O4BLP2M
O4BXL1M
O6MDP4
O12MDP4
O5E1
O8FBMS1
O8LMST1
O4P3X
O4P4X2
O4P25X2
O4P25X3
O8P32X
O4P800

NDAA
COMPLIANT



Products are in compliance with NDAA Section 889 Part B Guidelines. Google Chrome® and Firefox® use Java™ which requires an initial internet connection. Apple® and the Apple logo® are trademarks of Apple Inc., registered in the U.S. and other countries. App Store® is a service mark of Apple Inc. Android™, Google Play® and the Google Play logo® are trademarks of Google Inc. Speco Technologies® is constantly developing and improving products. We reserve the right to modify product design and specifications without notice and without incurring any obligation.

Revised 07/30/25

