

STI METAL PROTECTIVE CABINETS



EM1212DOC



EM1212DOC-BK



Custom Printing



PRODUCT OVERVIEW

These metal industrial enclosures for important system documents provide a line of defense against hazardous material and provide a degree of protection to digital and physical documentation. Constructed for indoor use, enclosures mount to the wall enabling important documents to be secured in their designated area.

Metal enclosures have a durable textured finish to help protect against corrosion.

KEY FEATURES

General Information

- Cabinets help protect important documents such as system information, building layouts and more.

Design

- Cost effective, low maintenance and compact design.
- Includes a document holder, and allows attachment for a pen and key.
- Continuous piano type hinge.

Construction

- Constructed of high-quality steel for strength and reliability.
- Coated with a powder-coated finish for added durability.

Installation

- Enclosures mount to the wall enabling units to be protected in their designated location.
- Back design helps accommodate uneven walls or mounting surface.

Options

- Red or black finish.
- Thumb lock included. Key lock available.
- Custom printing on enclosures is available. Contact customer service for details.

STI Metal Protective Cabinets

Dimensions and Technical Information

MODELS AVAILABLE

EM1212DOC Red Metal Cabinet 18 gauge, thumb lock
EM1212DOC-BK Black Metal Cabinet 18 gauge, thumb lock

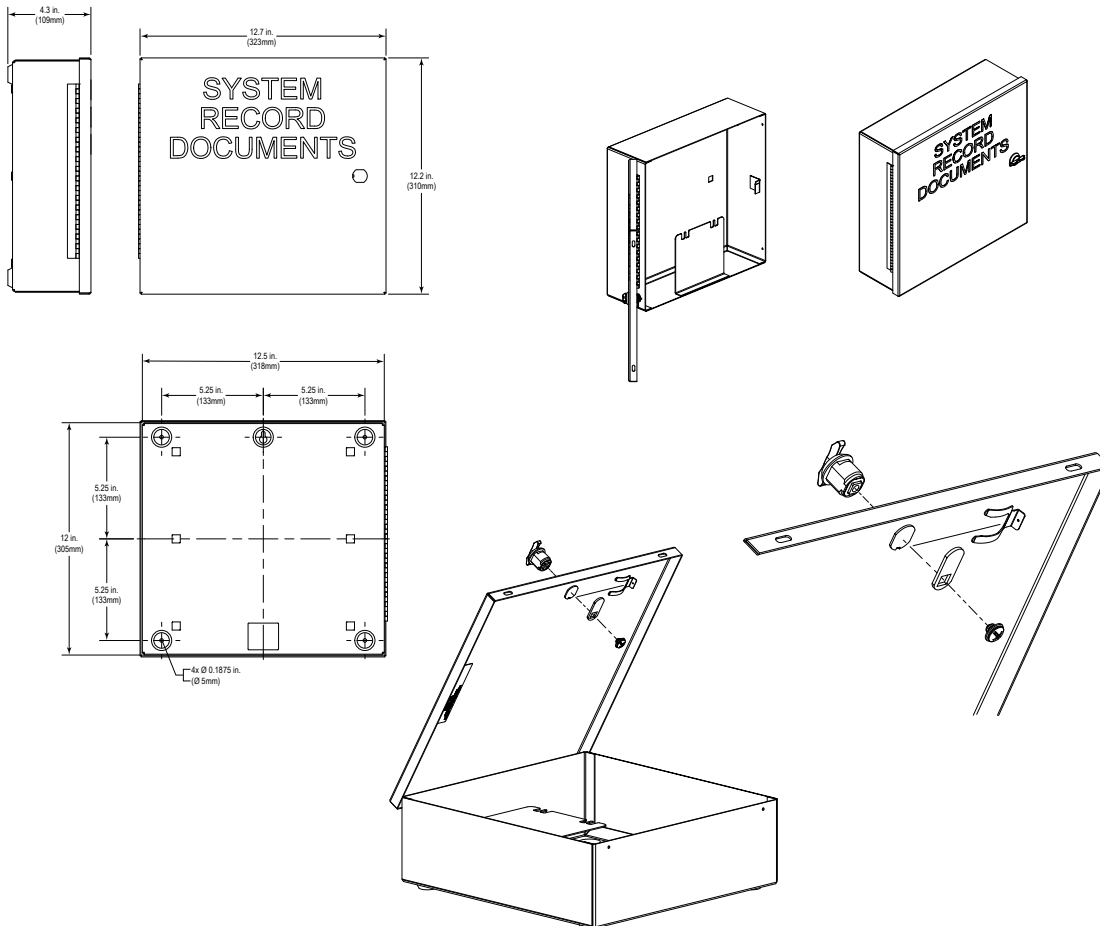
APPROVALS

- UL, cUL Listed, File E348136
- Type 1 (indoor use only)

ACCESSORIES

KL544 Key lock
KIT-H18086 Key set (includes 2 keys) for KL544

Model	Height	Width	Depth
EM1212DOC	12.20" (310mm)	12.7" (323mm)	4.30" (109mm)
EM1212DOC-BK	12.20" (310mm)	12.7" (323mm)	4.30" (109mm)



Safety Technology International

2306 Airport Road
 Waterford, MI
 48327, USA
 info@sti-usa.com
 www.sti-global.com
 Tel: 248-673-9898

Taylor House
 34 Sherwood Rd., Bromsgrove,
 Worcs., B60 3DR, England

info@sti-emea.com
 www.sti-global.com
 Tel: +44 (0) 1527 520 999

Unit 7A Lockheed Avenue
 Airport Business Park
 Waterford X91 HWF2 Ireland