

STI WIDEBODY KEYPAD PROTECTOR



STI-6560



PRODUCT OVERVIEW

Here is a super tough protective cover to increase the life and reliability of larger digital keypads, access controls, alarms, volume or lighting controls and similar devices by protecting them from accidental or intentional damage, as well as severe environments, dirt and grime when optional gaskets are installed. Three models are offered: with a key lock, thumb lock or without lock. Each comes in either clear or smoked. Installation is simple with anchors and screws provided.

BACKED BY A THREE YEAR GUARANTEE

As all STI protective covers, Widebody is backed by a three year guarantee against breakage in normal use. It is molded of thick, super tough polycarbonate material.

KEY FEATURES

General Information

- Protection against physical damage, grime and harsh environments inside and out.
- Three year guarantee against breakage of polycarbonate in normal use.

Construction

- Molded of thick, super tough polycarbonate material.

Installation

- Typical working properties of polycarbonate are -40° to 250°F (-40° to 121°C).
- Fast, easy installation.

Options

- Gasket available for use in areas that require frequent hosing down or have a wet environment.
- Available with or without key or thumb lock.
- Available in clear or smoke color.



STI Widebody Keypad Protector

Dimensions and Technical Information

MODELS AVAILABLE

STI-6550	Widebody Keypad Protector without lock - clear
STI-6560	Widebody Keypad Protector with key lock - clear
STI-6561	Widebody Keypad Protector with thumb lock - clear
STI-6550S	Widebody Keypad Protector without key lock - smoke
STI-6560S	Widebody Keypad Protector with key lock - smoke
STI-6552	Weather Gasket, 3/16 in.
STI-6580	Heater Kit - 12 Volt
STI-6582	Backplate
STI-6583	Heater Kit - 24 Volt
KIT-81	Tamper resistant stainless steel screws, #8 x 2 in. snake eye (quantity 4)
KIT-19038	Tamper bit for KIT-81
KIT-H18054	Additional keys (2) #CH751

NOTE: Locking units are not permitted on actuation stations used for fire or emergency life safety functions.

APPROVALS & WARRANTY

TESTING

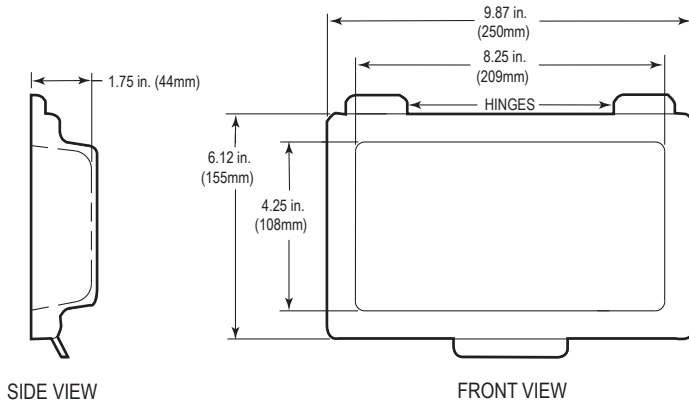
It has been tested and approved or listed by:
· Underwriter Laboratories No. S7255
· Canadian Underwriter Laboratories No. S7255

WARRANTY

Three year guarantee against breakage of polycarbonate in normal use.

Accessories

These tough protective covers become even more useful with these accessories: STI Heater Kit to protect your keypads, etc. in cold climates (assuring their continued operation), a weather gasket, a backplate and additional keys for locking models.



**Safety Technology
International**

2306 Airport Road info@sti-usa.com
Waterford, MI www.sti-global.com
48327, USA Tel: 248-673-9898

Taylor House info@sti-emea.com
34 Sherwood Rd., Bromsgrove, www.sti-global.com
Worcs., B60 3DR, England Tel: +44 (0) 1527 520 999

Unit 7A Lockheed Avenue
Airport Business Park
Waterford X91 HWF2 Ireland