



Ex d Surface Mount Ex d Trunnion Mount Ex de Surface Mount

► Model G-STR

Global Series® Hazardous Location Strobe

Federal Signal's patented Global Series® 15-joule and 21-joule strobes feature high-intensity xenon strobe tubes. The housing is made from non-metallic materials designed to serve the demanding needs of offshore marine and land-based industrial applications and can dramatically reduce the cost of long-term maintenance.

The flameproof "Ex d" versions come standard with (2) M20 entries. The increased safety "Ex de" versions include a separate terminal chamber for quick field termination or pass-through wiring and include (3) M20 entries in a standard configuration.

The Global Series Strobe can be combined with all other Global Series audible and visual products in several custom configurations. Custom configurations can be ordered directly from the factory. Optional coupling kits, which allow limited field fixturing, are available.



FEATURES

- Available in 24 Vdc, 120 Vac, and 220-240 Vac 50/60 Hz
- Optional stainless steel ratchet-adjustable mounting U-bracket (field installation required)
- Non-metallic corrosion-resistant design, available in Red or Black
- 24 Vdc models contain a supervisory diode and four-wire terminal block
- For use in alarm control panel applications
- Dome guard included
- M20 entries standard
- Optional indicator rings are available in six colors: Black, Blue, Green, Magenta, Red, and Yellow
- Field-customizable legend plates available¹
- Type 4X, IP66 enclosure, IP67
- IP69K compliant
- Marine Rated
- Zone 1, 21 Rated, IECEx, ATEX, Ex d IIC, Ex de IIC and Ex tb IIC
- UL and cUL Listed for Class I, Division 2, Groups A, B, C and D; Class II, Division 2, Groups F and G; Class III
- UL and cUL Listed for Class 1, Zone 1; Zone 21
- UL Fire Listed (24 Vdc, Clear 21 J Strobe)
- UKEX certified
- 316SS Guard and External Fasteners

MODEL	OPERATING VOLTAGE	NOMINAL OPERATING CURRENT		LIGHT OUTPUT		FLASH RATE	
		15 J	21 J	15 J	21 J	15 J	21 J
G-STR	24 Vdc	0.83 A	1.5 A	300 cd	500 cd	60	60
	120 Vac 50/60 Hz	0.33 A	0.45 A	300 cd	500 cd	60	60
	220-240 Vac 50/60 Hz	0.19 A	0.34 A	300 cd	500 cd	60	60

UL/cUL HAZARDOUS LOCATION RATING

TEMPERATURE CODE AT 70°C

Class I, Division 2, Groups A, B, C, D	T3
Class II, Division 2, Groups F, G	T4A
Class III	T4A

ATEX/IECEx HAZARDOUS LOCATION RATING

TEMPERATURE CODE AT 70°C

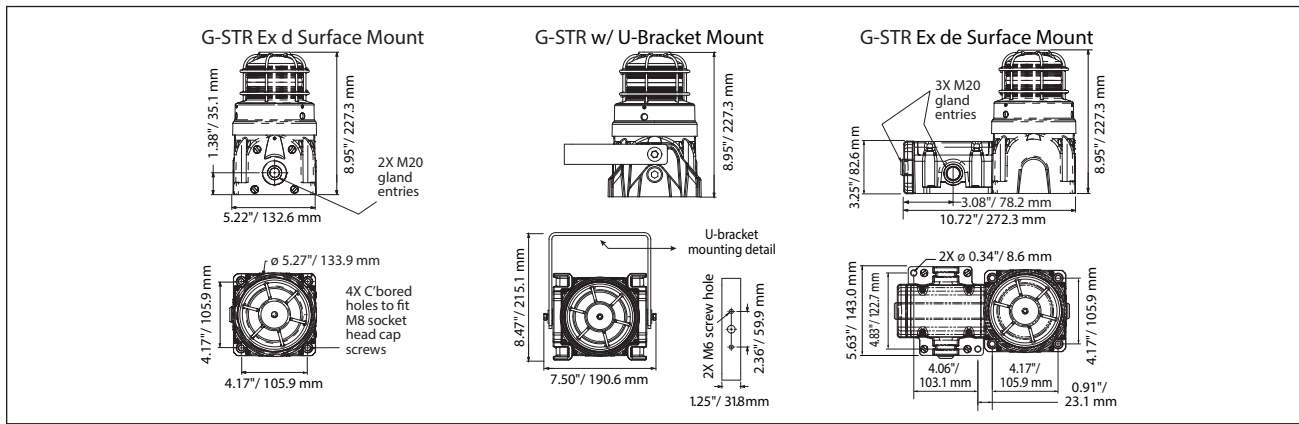
15 J	21 J
T4	T3

UL/cUL HAZARDOUS LOCATION CLASS/ZONE

TEMPERATURE CODE AT 70°C
T3

¹ Recommended labels: BRADY #B-855 Toughwash labels or ULINE #S-16643 weather resistant

Global Series® Hazardous Location Strobe (G-STR)



SPECIFICATIONS

Lamp Life: 10,000 Hours
 Light Source: Strobe
 Operating Temperature Range: -67° to 158°F (-55° to 70°C)
 ATEX/IECEx Certification Marking: @ 70°C 15J 21J
 II 2GD Ex d IIC Gb, Ex tb IIIC Db IP66: T4 T3
 II 2GD Ex de IIC Gb, Ex tb IIIC Db IP66: T4 T3
 ATEX: Baseefa15ATEX0154X
 IECEx: IECEx BAS 15.0103X

Terminals: 4mm² (12 AWG) Max
 Ex d: 6-way block (3 in, 3 out)
 Ex de: 2X 3-pole, 4-position, quad-pole terminal blocks

Cable Entries: Ex d: 2 entries - M20 x 1.5
 Ex de: 3 entries - M20 x 1.5

UL and cUL Certification Marking:
 Class I, Division 2, Groups A, B, C, D T3 @ 70°C
 Class II, Division 2, Groups F, G T4A @ 70°C
 Class III T4A @ 70°C

Certificate Number E207119
 Class 1, Zone 1 AEx db IIC T3 @ 70°C
 or Class 1 Zone 1 AEx db eb IIC T3 @ 70°C
 Zone 21, AEx tb IIIC T200°C (21 J)
 Zone 21, AEx tb IIIC T165°C (15 J)
 Certificate Number E488522

Net Product Weight:
 Ex d Surface Mount: 7.17 lb (3.25 kg)
 Ex d U-Bracket Mount: 9.15 lb (4.15 kg)
 Ex de Surface Mount: 9.99 lb (4.53 kg)

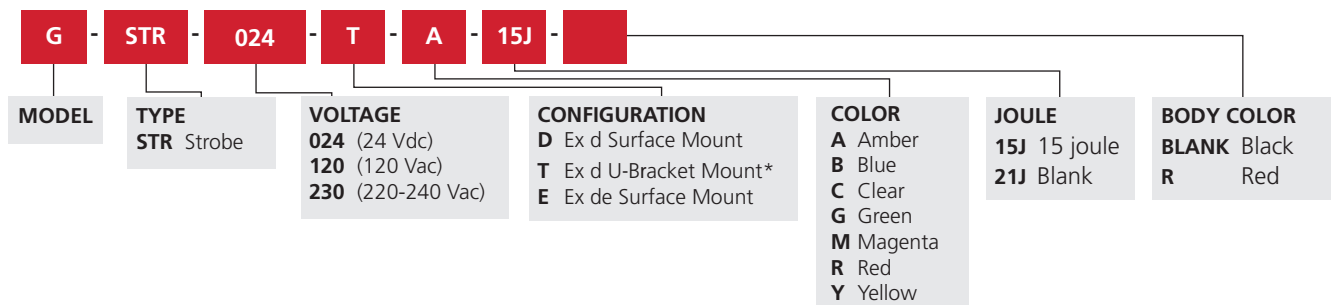
ACCESSORIES

Description	Part Number
E-Box Endcap with M20 Opening	K859500805-02
E-Box Endcap with M25 Opening	K859500805-01
E-Box Cover Assembly	K859501414
Adapter, M20 Male to 1/2-inch Female NPT	K231246A
Adapter, M20 Male to 3/4-inch Female NPT	K231247
Wall Mount Bracket	G-KIT-WBKT

REPLACEMENT PART

Description	Part Number
Lens Guard	K859500821-01
Lens, Amber	K859500814
Lens, Blue	K859500814-01
Lens, Clear	K859500814-02
Lens, Green	K859500814-03
Lens, Red	K859500814-04
Lens, Magenta	K859500814-05
Lens, Yellow	K859500814-06
Strobe Tube Only	K8107177A
Strobe Tube, 15 J, PCBA 24 Vdc Kit	K859501402-024-15J
Strobe Tube, 15 J, PCBA 120 Vac Kit	K859501402-120-15J
Strobe Tube, 15 J, PCBA 240 Vac Kit	K859501402-230-15J
Strobe Tube, 21 J, PCBA 24 Vdc Kit	K859501402-024
Strobe Tube, 21 J, PCBA 120 Vac Kit	K859501402-120
Strobe Tube, 21 J, PCBA 240 Vac Kit	K859501402-230

HOW TO ORDER



Global Series is a registered trademark of Federal Signal Corporation.