

## DESCRIPTION

Nascom's N305 Series is stubby 3/4" recessed roller wheel plunger, designed to protect all nonferrous (e.g. wood, aluminum and vinyl) doors and windows, in both residential and commercial settings.

The N305 is the installer's choice of contact configuration where drill depth is critical.



## FEATURES

- 12" 22AWG WIRE LEADS
- LISTED TO UL634 STANDARD
- ENCAPSULATED HERMETICALLY SEALED CONTACTS
- ABS HOUSINGS

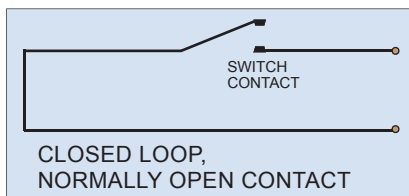
## ORDERING INFORMATION

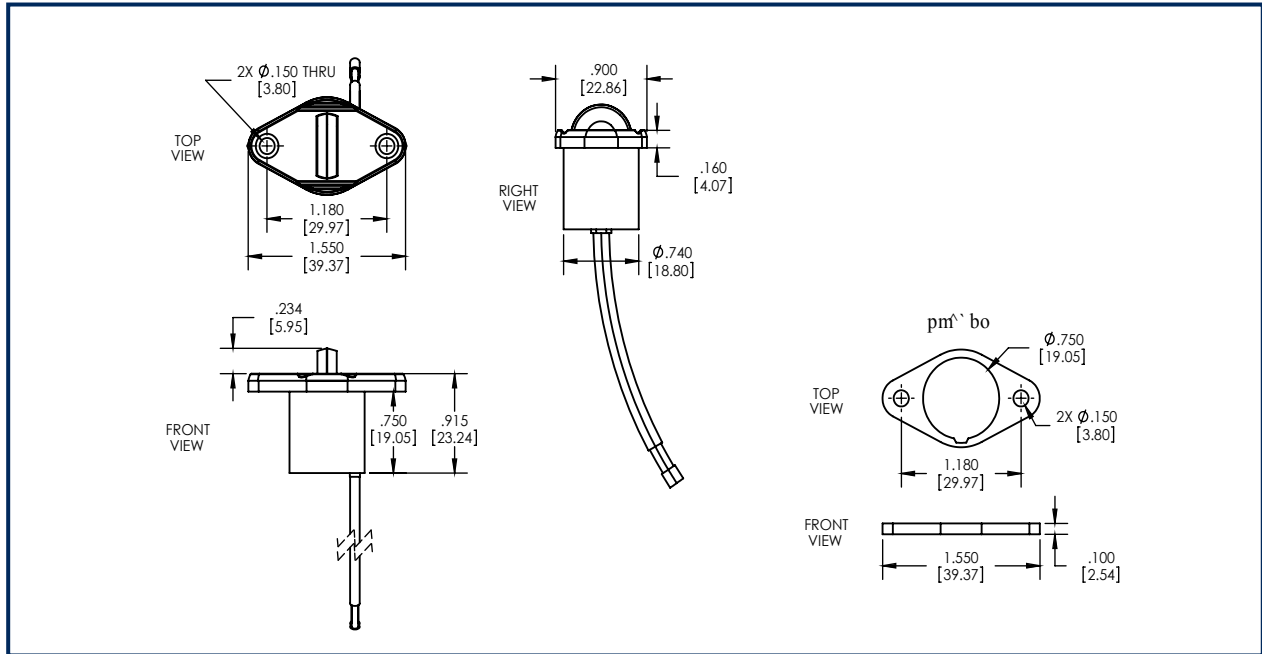
PART NUMBER	COLOR	CONTACT RATING (Max DC/Peak AC Resistive)				STATIC CONTACT RESISTANCE (50mV, 100mA)
		SWITCHING		CARRY		
		V	I	V	I	

### CLOSED LOOP, NORMALLY OPEN, 1FA, SWITCH/MAGNET SET:

N305B/ST N305W/ST	BROWN WHIITE	200 VDC	0.5 Amps	10vA	1.5 Amps	150 mOhms
----------------------	-----------------	---------	----------	------	----------	-----------

## WIRING SCHEMATIC



**DIMENSIONS - IN [mm]**

**INSTALLATION INSTRUCTIONS**

- On the hinge jamb of the door, measure out from the door stop half the thickness of the door and make a mark at the height you want to install the switch.
- Drill a 3/4" hole at the marked location, through the jamb and deep enough to access the alarm circuit wiring.
- Test fit the switch in the hole to make sure the switch will seat against the mounting flange. Close the door and measure the space between the door and the hinge jamb. If the space is greater than 1/4", you will need to install the enclosed spacer under the mounting flange of the switch.
- Connect the switch leads to the alarm system circuit. **Caution!** Hold wire leads, not the switch housing while cutting and stripping to prevent damage to switch.
- Mark the mounting screw locations and drill the mounting screw holes using a drill adequately sized for #6 Self-tapping screws.
- Install screws and tighten to mount the switch on the door.
- Test the system for correct operation.

**PART NUMBERING SYSTEM**