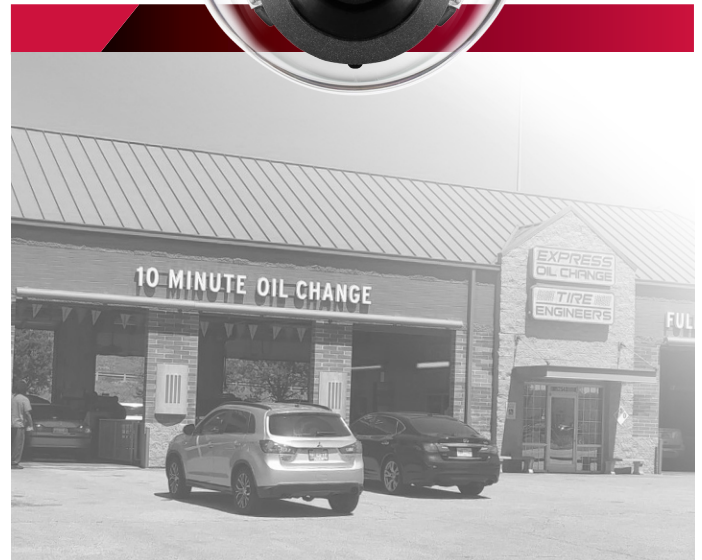


**VISIX 5MP, Fixed 2.8mm Lens, Indoor/Outdoor Vandal Proof Mini-dome with IR and True WDR, Audio and Mic. IP67/IK10 rated.**

The VX-5M28-MD-IAW is 5 Megapixel, indoor/outdoor, mini-dome IP camera. This camera is IK10 vandal resistant, has 120dB WDR, audio, and built-in IR making the VX-5M28-MD-IAW a versatile camera fitting most every entry-level indoor/outdoor installation requirements.

The VX-5M28-MD-IAW is compatible with the entire VIGIL Software Suite, including direct access through VIGIL Client and our mobile app View Lite II, as well as with VIGIL Central Management for remote health monitoring and notification.

The VX-5M28-MD-IAW also supports dual streaming. This combined with VIGIL Server's Substream Motion Detection and RapidStream technologies allows the camera to be viewed remotely in both live and playback modes with minimal impact on your network.



**Typical Use Cases**



**K-12  
EDUCATION**



**WAREHOUSE &  
DISTRIBUTION**



**SMALL/MEDIUM  
BUSINESS**

**Key Features and Benefits**

|                               |                    |
|-------------------------------|--------------------|
| <b>Lens</b>                   | <b>2.8mm Fixed</b> |
| <b>Resolution (MegaPixel)</b> | <b>5</b>           |
| <b>IR Range</b>               | <b>30m</b>         |
| <b>Audio (Mic)</b>            | <b>✓</b>           |
| <b>H.264/H.265/MJPEG</b>      | <b>✓</b>           |
| <b>Wide Dynamic Range</b>     | <b>120 dB</b>      |
| <b>IK10 Impact-Resistant</b>  | <b>✓</b>           |
| <b>IP67 Weather-Resistant</b> | <b>✓</b>           |
| <b>4 Year Warranty</b>        | <b>✓</b>           |
| <b>Base Analytics</b>         | <b>✓</b>           |

**What's in the Box**

Template Sheet  
Torx Wrench  
Waterproof Cap & Gasket  
Screws & Anchors  
Mount Bolts & Nuts

### Camera

|               |                                   |
|---------------|-----------------------------------|
| Image Sensor: | 1/2.8" 5.14M CMOS (Sony Starvis)  |
| Lens          | 2.8 mm, F1.8                      |
| Motorized?    | No                                |
| Angle of View | D : 125.5°, H : 102.4°, V : 77.4° |
| Min Illum     | 0.06 Lux, 0Lux with IR (F1.8)     |
| IR Range      | 30m                               |
| Shutter Time  | 1/15 ~ 1/32000                    |
| Day/Night     | TDN (True Day & Night)            |
| WDR           | 120dB                             |

### Compression Standard

|                   |                       |
|-------------------|-----------------------|
| Video Compression | H.264, H.265, MJPEG   |
| Bit Rate          | 100Kbps ~ 10Mbps      |
| Video Streams     | 2592x1944p30 + 480p30 |

### Image

|                      |            |
|----------------------|------------|
| Max Image Resolution | 2592 x1944 |
| Frame Rate           | 30fps      |

### Functions

|                      |                                                                                                                                                                                            |
|----------------------|--------------------------------------------------------------------------------------------------------------------------------------------------------------------------------------------|
| Alarm Triggers       | Motion Alarm, Network disconnection, Temperature critical                                                                                                                                  |
| Local Storage        | Micro SD / SDHC / SDXC                                                                                                                                                                     |
| SD Card Capacity     | 128GB                                                                                                                                                                                      |
| Security Protocols   | HTTPS(SSL), IP filtering, 802.1x, Digest Authentication<br>TCP/IP, UDP, AutoIP, RTP(UDP/TCP), RTSP, NTP, HTTP, HTTPS, SSL, DNS,<br>DDNS, DHCP, FTP, SMTP, ICMP, SNMPv1/v2/v3(MIB-2), ONVIF |
| System Compatibility | CGI API, ONVIF (Profile S)                                                                                                                                                                 |

### Physical

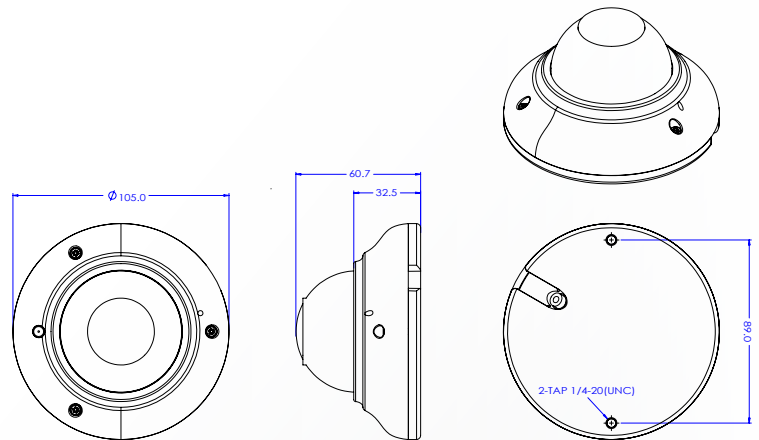
|                      |                              |
|----------------------|------------------------------|
| Operating Conditions | -30°C ~ 50°C (-22°F ~ 122°F) |
| Humidity             | 10~90% RH (non-condensing)   |
| Weather Proof Rating | IP67                         |
| Impact Protection    | IK10                         |
| Housing Material     | Aluminum                     |
| Dome Material        | Lexan 143R                   |
| Dimensions (D x H)   | Ø105 x 60.7 mm               |
| Weight               | 0.36kg                       |

### Electrical

|                   |                                    |
|-------------------|------------------------------------|
| Power Supply      | DC DC12V / POE IEEE 802.3af class2 |
| Power Consumption | DC12V Max 6W / PoE Max 7.2W        |

### Certifications and Compliance

FCC Part 15, Subpart B, Class B  
CAN ICES-3 (A)/NMB-3(A)  
UL and ULC Safety  
CE  
NDAA Compliant



### Interface

|               |                    |
|---------------|--------------------|
| Communication | RJ45(10/100BASE-T) |
| Audio Input   | On-Board Mic       |
| Audio Output  | 1                  |
| Alarm In      | 1                  |
| Alarm Out     | 1                  |

### Part Number

|                  |                                  |
|------------------|----------------------------------|
| VX-5M28-MD-IAW   | Base Camera                      |
| VX-5M28-MD-IAW-A | Add Advanced Analytics License * |

### Warranty

Four (4) years

### Recommended Mounts

|              |                  |
|--------------|------------------|
| VX-PM-BC11   | Pendant Mount    |
| VX-WM-BW11   | Wall Mount       |
| VX-CM-BC04   | Corner Mount     |
| VX-POLE-BP04 | Pole Mount       |
| VX-GP-02     | Gang Plate Mount |
| VX-JB-BJC04  | Junction Box     |

\* **NOTE:** - A advanced analytics license can be added to a Base Camera at any time to unlock advanced analytics functionality. Speak to a 3xLOGIC Sales Associate for more info.