

Honeywell

HA35JCBHA1

35 series All-in-one box

The 35 Series HA35JCBHA1 All-in-one box is compatible with the following Honeywell camera:

- HC35WE3R2 • HC35WE3R3 • HC35W25R3
- HC35WE5R2 • HC35WE5R3
- HC35WE8R2 • HC35WE8R3



The following accessories are provided along with the package:



T15



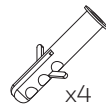
x3

M4 x 8mm



x4

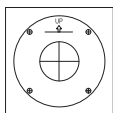
M4 x 30mm



x4



x2



x2

G3/4" Plug



PTFE Tape



G3/4" Gland

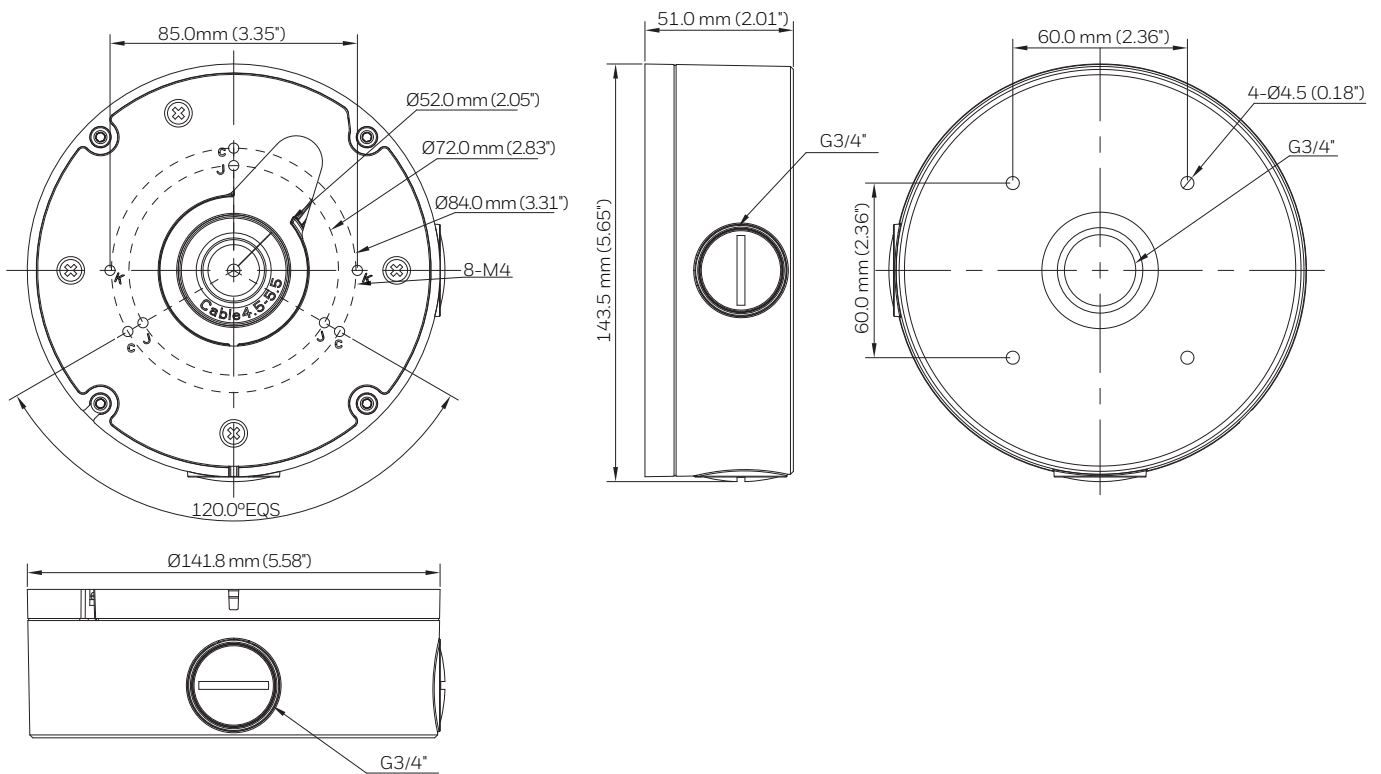
Specifications

PARAMETER	
Material	ADC12
Color	RAL 9003 (Signal White)
Dimensions	143.5 mm×Ø141.8 mm×51.0 mm (5.65"×Ø5.58"×2.01")
Weight	0.48 kg(1.06 lb)

Installation Notes

- The surface must be capable of supporting at least three times (3×) the total weight of the camera and the mount.
- Precautions for waterproof: Install the waterproof joint for camera network cable. Wind the duct tape for the power line.

Dimensions



INSTALLATION MATRIX

CAMERA	HA35JCBHA1 HOLE	SCREW TYPE	NOTES
HC35WE3R2/HC35WE5R2/HC35WE8R2	C	M4 x 8mm	The screw is included in the Package.Consult camera QIG for detailed installation.
HC35WE3R3/HC35WE5R3/HC35WE8R3	J	M4 x 8mm	The screw is included in the Package.Consult camera QIG for detailed installation.
HC35W25R3	K	M4 x 8mm	The screw is included in the Package.Consult camera QIG for detailed installation.

Honeywell

buildings.honeywell.com/security
+44 (0)1163 500714 (United Kingdom only)
Document 3011-9073-001-Rev B-11/2022