

# GV-GBL4911 Cloud AI 4MP H.265 4.3x Zoom Super Low Lux WDR Pro IR Bullet IP Camera



- Direct-to-Cloud
- AI deep learning: AI Perimeter Protection & Classification (Human, Vehicle)
- 1/3" progressive scan CMOS
- Min. illumination at 0.005 lux
- Triple streams from H.265, H.264 and MJPEG
- Up to 30 fps at 2592 x 1520
- Intelligent IR
- IR distance up to 70 m (230 ft)
- Day and Night function (with removable IR-cut filter)
- Ingress protection (IP67)
- Vandal resistance (IK10 for metal casing)
- DC 12V / PoE (IEEE 802.3af)
- Built-in microSD card slot (SDHC / SDXC / UHS-I, Class 10) for local storage
- Two-way audio capable
- Built in microphone
- Wide Dynamic Range Pro (WDR Pro)
- Defog
- GV-Center V2 connection
- AI analytics (Line Crossing, Region Entrance, Region Exiting, Region Intrusion, Target Counting, Heat Map Loitering Detection, Illegal Parking Detection, Face Detection, Video Metadata)
- Motion detection
- Text overlay
- Privacy mask
- 19 languages supported
- ONVIF (Profile G, S, T, M) conformant

## Introduction

GV-GBL4911 is an outdoor bullet IP camera equipped with automatic IR-cut filter and IR LEDs for day and night surveillance. The camera supports H.265 video codec to achieve better compression ratio while maintaining high quality pictures at reduced network bandwidth. GV-GBL4911 adheres to IP67 and IK10 standards, and can be powered through PoE.

Empowered by deep learning algorithms, AI technology distinguishes human and vehicles from other moving objects. When integrated with GeoVision Video Management Software (VMS), it supports AI perimeter protection, real time alert, event playback and more. By connecting the camera to the cloud-based data center and video surveillance solution, GV-Cloud VMS, thousands of on-site videos, alarm devices, and AI events can be monitored and managed from a single platform.

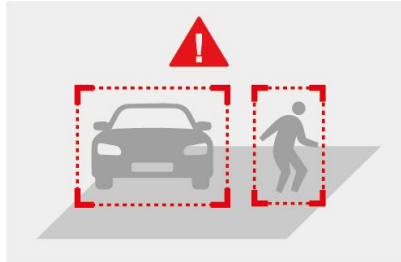
## Deep Learning Function

### Face Detection

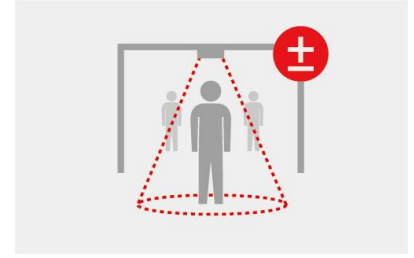


### AI Perimeter Protection

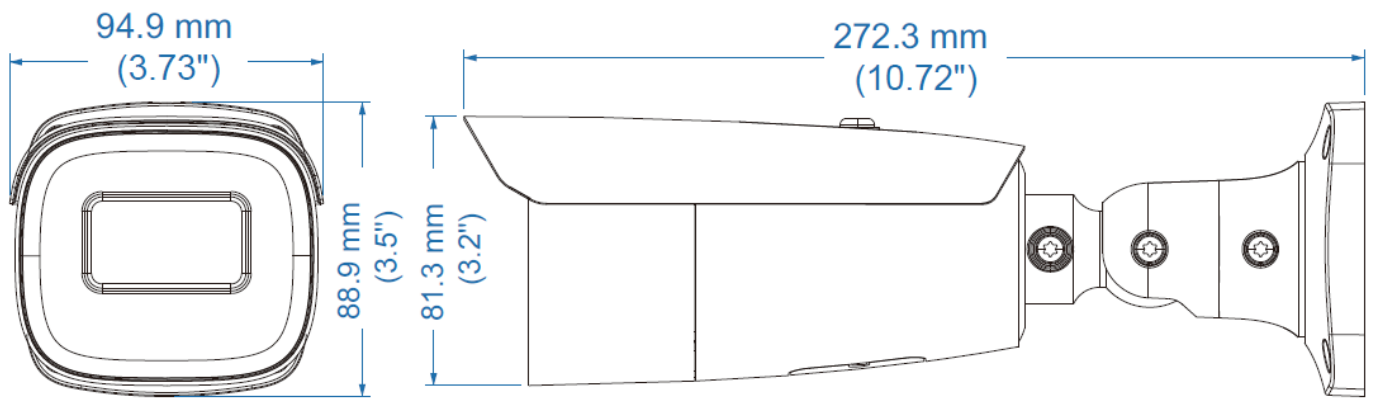
(Region Intrusion, Line Crossing, Region Entrance, Region Exiting)



### People Counting



## Dimensions



## Specifications

Camera		
Image Sensor		1/3" progressive scan CMOS
Picture Elements		2592 (H) x 1520 (V)
Minimum Illumination	Color	0.005 Lux (F1.3, AGC ON)
	IR On	0 Lux
Shutter Speed		Automatic, Manual (1/3 ~ 1/100000 sec)
White Balance		Automatic, Manual
Gain Control		Automatic, Manual
S/N Ratio		50 dB
WDR Pro		Yes
Dynamic Range		120 dB
Lens		
Megapixel		4 MP
Day/Night		Yes (with removable IR-cut filter)
Focal Length		2.8-12 mm
Lens Type		Motorized
Maximum Aperture		F/1.3
Mount		Ø14
Horizontal FOV		100° - 28.9°
Operation	Focus	Auto / Manual
	Zoom	4.3x
	Iris	DC
IR LED Quantity		4 IR LEDs
Max. IR Distance		70 m (230 ft)

DORI		Detect	Observe	Recognize	Identify
Lens	2.8-12 mm (W)	58.9 m (193.2 ft)	23.5 m (77.0 ft)	11.7 m (38.3 ft)	5.8 m (19.0 ft)
	2.8-12 mm (T)	205.9 m (675.5 ft)	82.4 m (270.3 ft)	41.2 m (135.1 ft)	20.6 m (67.5 ft)
<b>Operation</b>					
Video Compression		H.265, H.265+, H.264, H.264+, MJPEG			
Video Streaming		Triple streams			
Video Resolution	Main Stream	2592 x 1520 (Default), 2560 x 1440, 2304 x 1296, 1920 x 1080			
	Sub Stream	1280 x 720 (Default), 704 x 576, 704 x 480, 640 x 480, 640 x 360, 480 x 240, 352 x 288, 352 x 240			
	Third Stream	1280 x 720 (Default), 704 x 576, 704 x 480, 480 x 240, 352 x 288, 352 x 240			
Frame Rate		30 fps at 2592 x 1520 / 2560 x 1440 / 2304 x 1296 / 1920 x 1080 / 1280 x 720 / 704 x 480 / 640 x 480 / 640 x 360 / 480 x 240 / 352 x 240 (60 Hz) 25 fps at 2592 x 1520 / 2560 x 1440 / 2304 x 1296 / 1920 x 1080 / 1280 x 720 / 704 x 576 / 640 x 480 / 640 x 360 / 480 x 240 / 352 x 288 (50 Hz) * The frame rate and performance may vary depending on the number of connections and data bitrates (different scenes).			
Maximum Throughput	AI off	64 Mbps			
	AI on	18 Mbps: one AI function enabled 12 Mbps: multiple AI functions enabled			
Maximum Streams *When the total bitrate is within the maximum throughput		8 *By default, 2 connections are occupied whether connected to GV-Cloud VMS or not.			
Video Analytics		Motion Detection, Object Abandoned / Missing Detection			
Smart Alarm		Motion Detection, SD Card Error, SD Card Full, IP Address Conflict, Cable Disconnection, Scene Change Detection, Video Blur Detection, Video Cast Detection, Audio Exception			
Image Setting		Brightness, Contrast, Saturation, Sharpness, Flicker-less, 3D Noise Reduction, Image Orientation (Flip, Mirror, 0°, 90°, 180°, 270°-including Corridor format).			
Dual Redundant Images		Yes (for failsafe firmware upgrade)			
Audio Compression		G.711			
Audio Support		Two-way audio (external speaker required)			
Digital I/O	Input	1 Input, dry contact, NO / NC			
	Output	1 Relay Output (1A 30V DC / 0.3A 125V AC)			
<b>Deep Learning Function</b>					
AI Analytics		Face Event: Face Detection Smart Event: - Line Crossing, Region Entrance, Region Exiting, Region Intrusion, Target Counting, Heat Map, Video Metadata: Human & Vehicle classification - Loitering Detection, Illegal Parking Detection *A maximum of 2 smart detection functions are suggested at a time to ensure comprehensive detection results and the optimized performance by the camera. *Once connected to GV-Cloud VMS / GV-Center V2, up to 2 smart detection functions are supported.			
Video Metadata	People	Gender, Age, Top / Bottom (Type, Color), Accessories (Hat, Bag, Face Mask, Glasses)			
	Vehicle	Type, Color, Brand, Model			
	Non-Motor Vehicle	Type			
<b>Network</b>					
Interface		10/100 Ethernet			
Protocol		802.1x, DDNS, DHCP, FTP, HTTP POST, HTTP, HTTPS, IPv4, IPv6, NTP, ONVIF (Profile G, S, T, M), PPPoE, QoS, RTCP, RTMP, RTP, RTSP, SMTP, SNMP, UDP, UPnP			
<b>Mechanical</b>					
Camera Angle Adjustment	Pan	0 ~ 360°			
	Tilt	0 ~ 90°			
	Rotate	0 ~ 360°			
Connectors	Power	DC jack (DC 12 V, 1.25 A), PoE			
	Ethernet	RJ-45			
	Audio	1 In (built-in microphone, external speaker required with power supply) 1 Out (stereo phone jack, 3.5 mm / 0.14")			
	Video Output	CVBS output (BNC connector x 1)			
	Digital I/O	4-pin terminal block pitch 3.5 mm (0.14")			

	Local Storage	microSD card slot (SDHC / SDXC / UHS-I, Class 10) * UHS-II card type is not supported.
<b>General</b>		
Operating Temperature		-30 ~ 60°C (-22 ~ 140°F)
Humidity		0 ~ 95% (no condensation)
Power Source		12 V DC / PoE (IEEE 802.3af)
Max. Power Consumption		12.5 W
Dimensions		272.3 x 94.9 x 88.9 mm (10.72 x 3.73 x 3.5 in)
Weight		1.04 kg (2.29 lb)
Ingress Protection		IP67
Vandal Resistance		IK10 for metal casing
Certification		CE, FCC, RoHS, UKCA compliant
<b>Web Interface</b>		
Installation Management		Web-based configuration
Maintenance		Firmware upgrade through Web Browser or Utility
Access from Web Browser		Live View, Playback, Video Recording, Image Quality, Bandwidth Control, Image Snapshot, Digital Zoom, Text Overlay, Image Masking, Intelligent Mark
Language		Chinese Traditional, Czech, Dutch, English, French, German, Hebrew, Hungarian, Italian, Japanese, Korean, Norwegian, Polish, Portuguese, Romanian, Russian, Spanish, Spanish (Latin America), Turkish
<b>Software Applications</b>		
Software Supported		GV-VMS (V17.4.7 or later, V18.3.2 or later), GV-Edge Recording Manager (V2.2.7 or later), GV-Control Center (V4.2.0 or later), GV-Recording Server (V2.1.1 or later), GV-Cloud VMS (V1.1.0 or later), GV-Center V2 (V18.4.1 or later)
Smart Device Access		GV-Eye for iOS and Android (V3.1.1 or later)
Live Viewing		Web Browser (Edge, IE mode in Edge, Chrome, Firefox, Safari), Mobile App

**Note:**

1. When connecting to GV-Cloud VMS, avoid connecting to other GV-Software at the same time.
2. Industrial-grade microSD cards are recommended to avoid event recordings writing failure.
3. All specifications are subject to change without notice.

**Packing List**

- |                      |                          |
|----------------------|--------------------------|
| 1. GV-GBL4911 Bullet | 4. Drill Template Paster |
| 2. Screw Kit         | 5. CVBS & DC IN Cables   |
| 3. Hex Key           | 6. Download Guide        |

**Accessories**

Model No.	Name		Details
GV-Mount470 (must be used with Mount506)	Pole Mount Bracket		Dimensions: 163.3 x 54.5 x 215 mm (6.43 x 2.15 x 8.46 in) Weight: 1.10 kg (2.43 lb)
GV-Mount506	Junction Box		Dimensions: Ø 139.3 x 171.6 x 50 mm (Ø 5.48 x 2.81 x 1.97 in) Weight: 0.51 kg (1.13 lb)
GV-PA191	PoE Adapter		GV-PA191 is a Power over Ethernet (PoE) adapter designed to provide power to the IP device through a single Ethernet cable.

GV-PA301 Gigabit PoE Adapter



GV-PA301 is a Gigabit Power over Ethernet (PoE) adapter.

GV-POE Switch

GV-POE Switch is designed to provide power along with network connection for IP devices. The GV-POE Switch is available in various models with different numbers and types of ports.

Power Adapter

Contact our sales representatives for the countries and areas supported.

### Mounting Type

Junction Box Mount GV-Mount506	Junction Box Mount GV-Mount506	Pole Bracket Mount GV-Mount470
A white camera is shown attached to a circular junction box mount labeled GV-Mount506.	A white camera is shown attached to a junction box mount labeled GV-Mount506, which is mounted on a larger pole bracket labeled GV-Mount470.	