

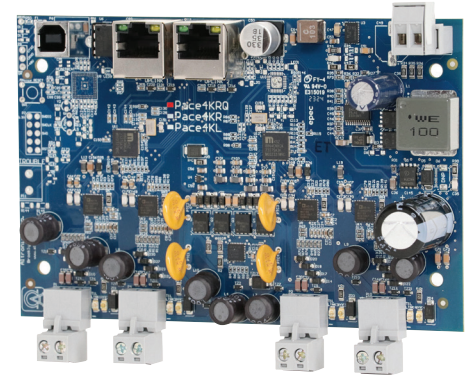
Pace4KRQ

Network Managed Four Port Single Pair Ethernet Media Adapter/Switch
IEEE 802.3cg Ethernet, SPE over UTP



Altronix Pace4KRQ is a 4-port SPE (Single Pair Ethernet) Media Adapter/Switch that transmits data and power via twisted pair (2-wire, UTP or shielded) in a PoE(+) compliant format. In addition to new SPE (UTP) Ethernet network installations for Surveillance-cameras/Security/Industrial/BMS/HVAC/Elevator Controllers, applications include upgrading of legacy networks, i.e. LONworks, RS485, 4-20ma Control Loops, etc. by using the existing two wire cabling, thus saving rip-out & reinstallation costs.

Operationally, the Pace4KRQ is connected to a PoE midspan/endspan switch at the headend and passes network data and power to the remote PaceKT Series transceiver(s) over UTP up to 1km (1,000m, 3,280 ft.). Pace1KT & Pace2KT transceivers can connect to one or two remote devices, such as a camera(s) or controllers, respectively. For non-enable PoE devices, only data will be transmitted. Cable distances and multi-node device drop-offs are facilitated by using one of the two Pace2KT ports for the continued network link in a daisy chain manner.



Pace4KRQ

For a direct T1L remote device, use Pace1K12/24S adapter to split T1L data & power for a compatible device

Pace4KRQ features built-in LINQ™ Network Power Management which facilitates monitoring, reporting and control of power/diagnostics.

For unmanaged switch see model Pace4KR.

Key Features

- Provides SPE (single pair Ethernet) over twisted pair (2-wire, UTP or shielded) or 16/2 AWG or higher wire up to 1km (1,000m, 3,280 ft.)
- Utilize twisted pair for new installations or retrofit of IP devices over existing twisted pair cabling
- Cost-effective solution to facilitate IP devices that need to be installed at longer distances such as in elevator shafts, tunnels, bridges, HVAC, and more...
- PoE, IEEE 802.3af (15W) and IEEE 802.3at (25W) compliant
- Auto detection allows it to safely work with non-PoE cameras/devices
- Works with Megapixel, HD720, HD1080 & VGA (SD) cameras
- Extends Network link distance in an industrial environment
- Building Automation, Elevator Systems, HVAC, Lighting, Surveillance & Security
- Utilize twisted pair for new installations or retrofit of IP devices over existing twisted pair cabling
- Compatible with Pace1KT, Pace2KT, Pace1KL12S, Pace1KL24S receivers
- Management interface software included (USB flash drive)
- VLAN (Virtual Local Area Networks) subnetwork allows for the grouping together of devices for improved network traffic and higher security
- CE European Conformity
- Lifetime Warranty

Maximum Length of Cable Type vs. Total Power Consumption

Wire type	Total Power Consumption	Max. Data Distance	Max. Power Distance
18 AWG (2-wire, UTP)	7.5W	1,000m (3,280 ft.)	1,996m (6,548 ft.)
	15W	1,000m (3,280 ft.)	998m (3,274 ft.)
	30W	1,000m (3,280 ft.)	269m (882 ft.)
16 AWG (2-wire, UTP)	7.5W	1,000m (3,280 ft.)	3,169m (10,396 ft.)
	15W	1,000m (3,280 ft.)	1,584m (5,196 ft.)
	30W	1,000m (3,280 ft.)	427m (1,400 ft.)

Lifetime Warranty

Pace4KRQ

Network Managed Four Port Single Pair Ethernet Media Adapter/Switch
IEEE 802.3cg Ethernet, SPE over UTP



Specifications

Input

12/24V power supply

UTP Connection

Wire type: Twisted pair (2-wire, UTP or shielded)
Distance: 1km (1,000m, 3,280 ft.),
16/2 AWG or higher @ 10Mbps
(see Maximum Length of Cable Type vs.
Total Power Consumption chart on pg. 1)

Ethernet

Connectivity: RJ45, auto-crossover
Wire type: 4-pair CAT5e or higher
Distance: up to 100m from midspan
Speed: 10/100BaseT, half/full duplex, auto negotiation
PoE: IEEE 802.3af (15W) and PoE+ compliant to
IEEE 802.3at (25W) delivered to device by Pace4KRQ
Power provided by Pace4KRQ to
Pace transceiver by PoE protocol

LINQ Technology:

Remote network power management allows for device reset
and monitoring
Provides local and/or remote access to critical information via LAN/WAN
Email and Windows Dashboard Alert notifications report
real-time diagnostics
Event log tracks history

VLAN:

Multiple management VLAN assignment
802.1Q Tagged VLAN
Up to 10 VLAN groups. ID Range 2-4095

Indicators (LED)

Yellow and Green LED (by RJ45 jack):
IP Link status, 10/100Base-T/active
Link LED for each UTP port

Agency Listings

CE European Conformity

Physical and Environmental

Dimensions (W x L x H)

Board: 5.5" x 3.6" x 1.125" (139.7mm x 91.4mm x 28.6mm)

Shipping: 8" x 6" x 5" (203.2mm x 152.4mm x 127mm)

Weight (approx.)

Product: 0.4 lb. (0.18 kg)

Shipping: 0.75 lb. (0.34 kg)

Temperature

Operating: -40°C to 75°C (-40° to 167°F)

Storage: -40°C to 75°C (-40° to 167°F)

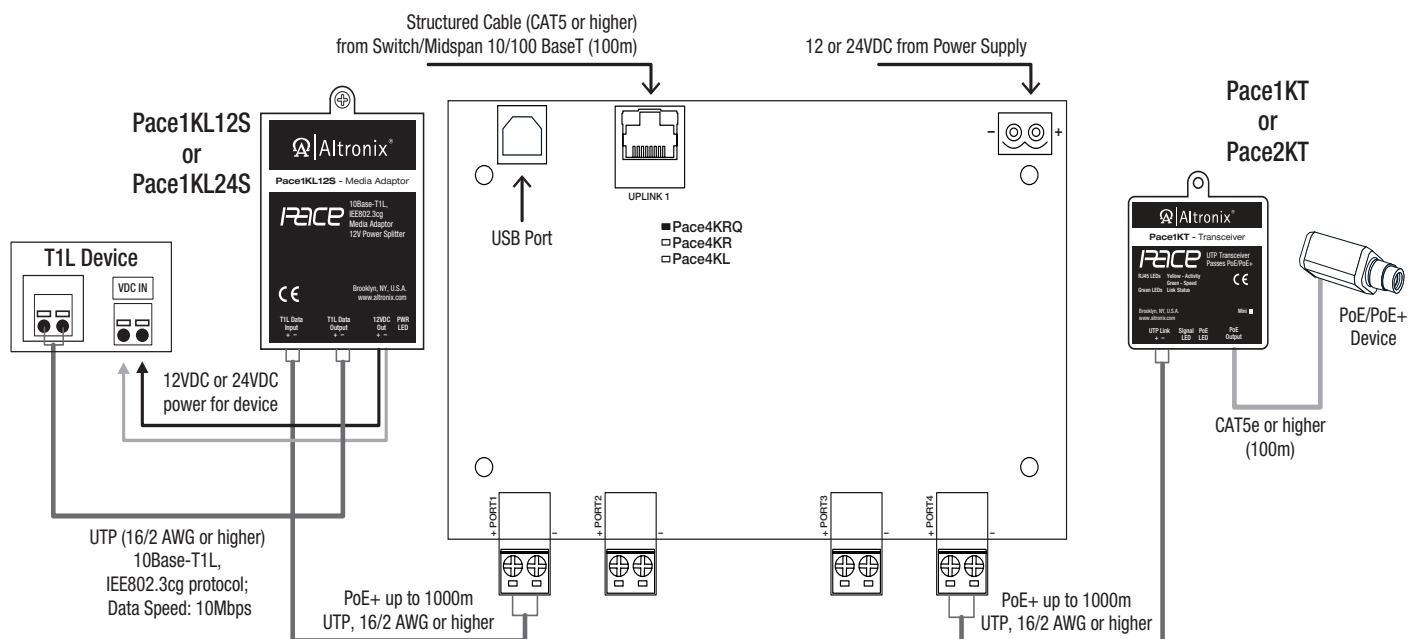
Relative Humidity

85% +/- 5%

Operating Altitude

- 304.8 to 2,000m

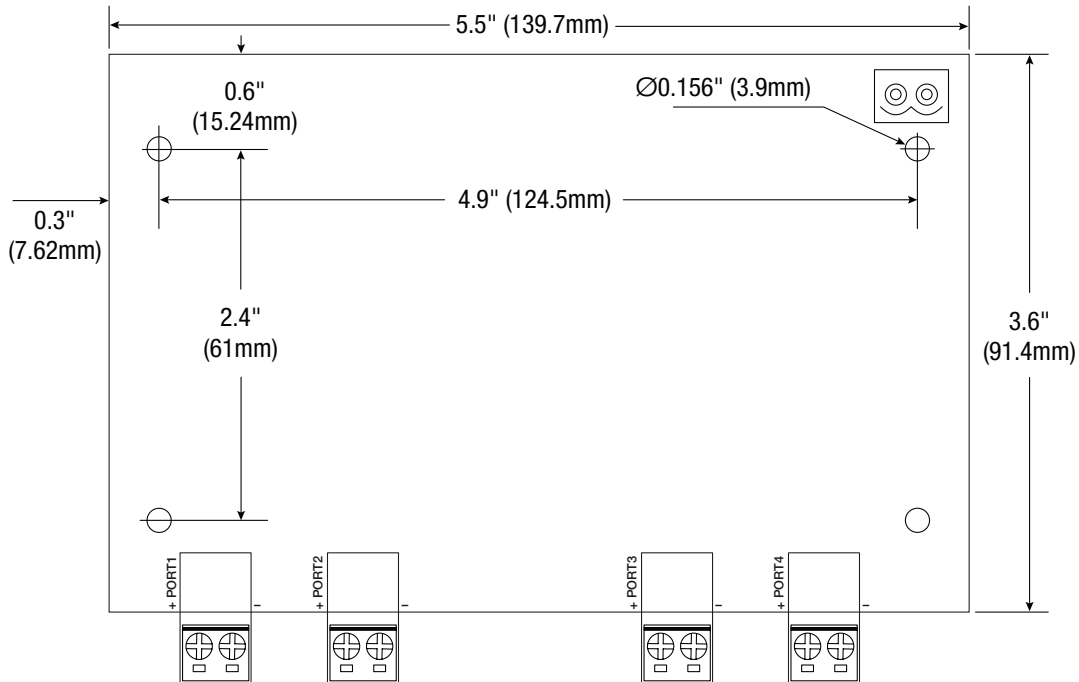
Typical Application Diagram



Lifetime Warranty

Dimensions and Drawing

Board Dimensions (L x W x H approximate)
5.5" x 3.6" x 1.125" (139.7mm x 91.4mm x 28.6mm)
Mounting Holes' Tolerance: +/- 0.04 in. (1mm)



Lifetime Warranty