

NetWaySP8WPX3

8-port Hardened PoE+ Switch with Integral Power



Altronix NetWaySP8WPX3 supports up to 60W per port (360W total power) for deploying the latest high-powered IP devices in remote locations. It is equipped with two (2) 1Gb SFP ports to transmit data at long distances and eight (8) PoE+ (30W) or two (2) Hi-PoE (60W) Ethernet ports. NetWaySP8WPX3 accommodates single/multi-mode fiber or composite cable (fiber+copper) to simultaneously deliver power and data from NetWay Spectrum head-end media converters/injectors. Embedded LINQ Technology allows to monitor, control, and report power and diagnostics from anywhere.



NetWaySP8WPX3

For 277VAC input see model NetWaySP8WPX37.

Key Features

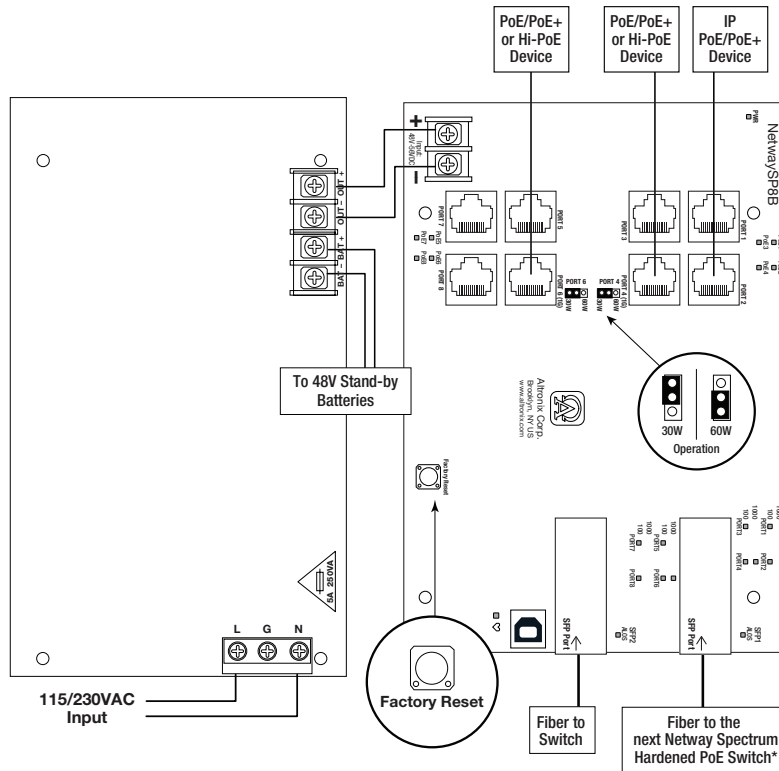
- Eight (8) PoE/PoE+ (up to 30W) ports or two (2) Hi-PoE (60W) ports (360W total power)
- IEEE 802.3af, 802.3at compliant or Hi-PoE (60W)
- Two (2) Gigabit SFP ports
- VLAN (Virtual Local Area Networks) subnetwork allows for the grouping together of devices for improved network traffic and higher security
- Built-in charger for sealed lead acid or gel type batteries
- CE European Conformity
- NEMA 4/4X, IP66-11 enclosure accommodates batteries
- LINQ Technology:
 - Remote network management allows for camera/device reset and diagnostic monitoring
 - Provides local and/or remote access to critical information via LAN/WAN
 - Email and Windows Dashboard Alert notifications report real-time events
 - Event log tracks history

Similar products

NetWaySP8WP3	Outdoor 8-port Hardened PoE+ Switch with Integral Power in NEMA 4/4X, IP66-11 enclosure
NetWaySP8PL3	8-port Hardened PoE+ Switch with Integral Power on a Backplane
NetWaySP8X3	8-port Hardened PoE+ Switch with Integral Power in NEMA 1 Rated indoor enclosure

Lifetime Warranty

Typical Application



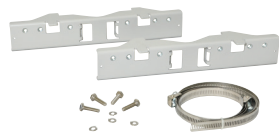
Accessories (Included)



Vent2 - Air Vents For NEMA4/4X Rated Enclosures

Two (2) Fiberglass, smooth matte finish vents included with hardware and template

Accessories (order separately)



PMK2 - Pole Mount Kit

PMK2 pole mount kit is designed to simplify installation of outdoor units. It accommodates 2" - 8" (diameter) poles.



SFP Modules - Hot pluggable Transceivers

- P1MM** Multi-Mode SFP Module for distances up to 550m.
- P1SM10** Single-Mode SFP Module for distances up to 10km.
- P1AB2K** Single Strand SFP Module for distances up to 2km.
- P1GCE** Copper SFP Module for distances up to 100m.



NetWaySP1A -

Ethernet over Fiber Media Converter/Repeater for applications requiring an additional SFP (Fiber) Port
 NetWaySP1A PoE powered media converter/repeater converts 10/100/1000 Mbps to Fiber (1000Base-X/SX/LX).

Lifetime Warranty



NetWaySP8WPX3

8-port Hardened PoE+ Switch with Integral Power



Specifications

Input

Voltage 115VAC, 60Hz, 3.5A or 230VAC, 50/60Hz, 2A
Input Fuse 5A/250V

Power Output

Maximum Power Eight (8) PoE+ (30W) ports
or two (2) Hi-PoE (60W) ports
IEEE 802.3at (30W) and
IEEE 802.3af (15W) compliant
360W total power. Integral surge protection

SFP Ports:

Two (2) Gigabit SFP ports

Ethernet Ports:

Six (6) 100 Mbps full duplex only
(ports 1, 2, 3, 5, 7 and 8) and
two (2) 10/100/1000 Mbps ports
Connectivity: RJ45, auto-crossover
Wire type: 4-pair CAT5e or higher
structured cable
Speed: 10/100/1000 Mbps
half/full duplex, auto negotiation

Battery Charging

Type 48VDC charging circuit charges
sealed lead acid or gel type batteries
(within enclosure, **ventilation is required**)

Failover Upon AC loss, instantaneous
Batteries are sold separately

Indicators (LED)

Individual PoE On LEDs for each port
Individual IP Link status, 10/100/1000 Base-T/active LEDs for
each port
ALOS LED indicates fiber connection for SFP port
Heartbeat LED indicates proper operation of the unit

VLAN:

Multiple management VLAN assignment
802.1Q Tagged VLAN
Up to 10 VLAN groups. ID Range 2-4095

LINQ Technology:

Remote network management allows for camera/device reset
and diagnostic monitoring
Provides local and/or remote access to critical information via
LAN/WAN
Email and Windows Dashboard Alert notifications report
real-time events
Event log tracks history

Agency Listings

CE European Conformity

Physical and Environmental

Dimensions (H x W x D)

Enclosure: 17.53" x 15.3" x 6.67"
(445.3mm x 388.6mm x 169.4mm)
Shipping: 21.375" x 14.5" x 9.5"
(542.9mm x 374.7mm x 241.3mm)

NEMA 4/4X, IP66-11 Rated enclosure for outdoor use

Accommodates four (4) 12VDC/4AH batteries (48V of backup)

Weight (approx.)

Product: 15 lb. (6.8 kg)
Shipping: 17.5 lb. (7.9 kg)

Temperature

360W: -30°C to 70°C (-22°F to 158°F)
240W: -30°C to 75°C (-22°F to 167°F)
Storage: -30°C to 85°C (-22°F to 185°F)

Relative Humidity: 85% +/- 5%

BTU/Hr. (approx.): 183 BTU/Hr.

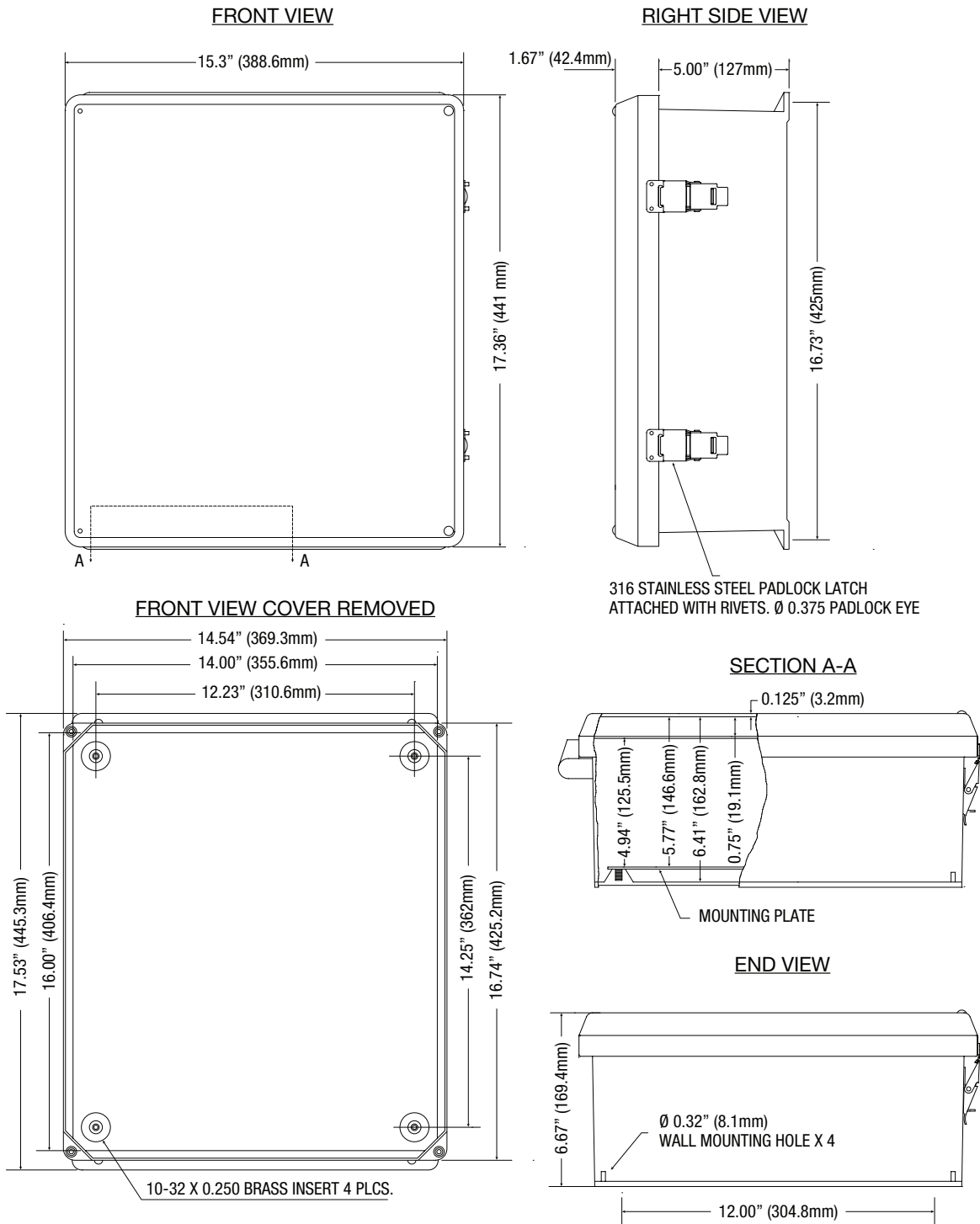
Operating Altitude: -304.8 to 2,000m

Lifetime Warranty

Dimensions and Drawing

Dimensions (H x W x D approximate)

17.53" x 15.3" x 6.67" (445.3mm x 388.6mm x 169.4mm)



Lifetime Warranty