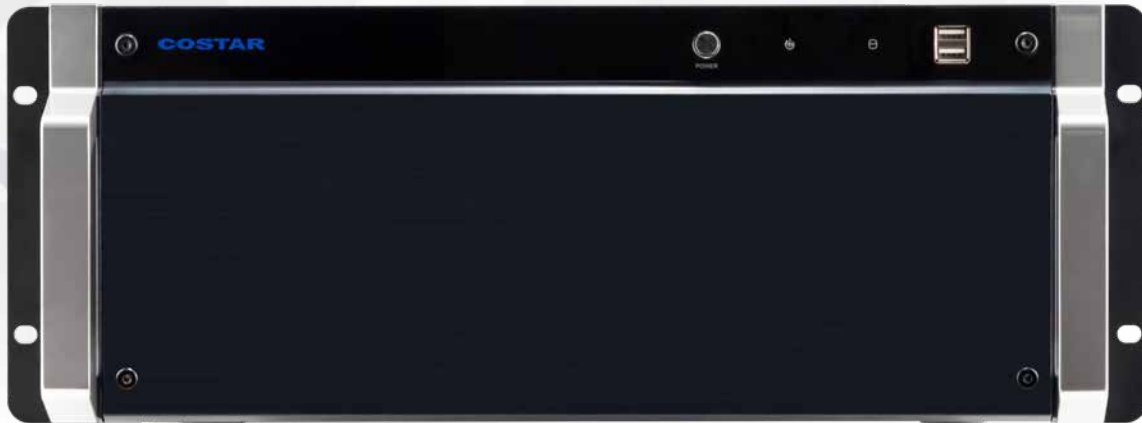


# StarNET PRO Analytic Server

64 Channel Deep Learning Artificial Intelligence Powered Video Analytic Processing Server



Increase the ROI of a StarNET PRO NVR Server by adding the StarNET PRO Analytics Server. The StarNET PRO Analytics Server uses powerful artificial intelligence (AI) analytics, powered by deep learning, to process incoming video on up to 64 streams, creating metadata in the process. The metadata is then added to the recorded video for easy retrieval.

Several analytics are available. Object detection classifies objects as either humans, cars, or motorcycles/bicycles with colorful box identifiers in live mode or optional on-screen pop-up notifications. Intrusion, loitering, and line crossing detection analytics can be setup to watch areas and alert or trigger event alarms on access violations. Basic analytics such as motion detection and tampering are also available.

Forensic searching is significantly enhanced by adding the StarNET PRO Analytics Server. Using the metadata generated, searching for objects is simple and quick. Just enter the search terms, such as color and object type, and the video with matching metadata is retrieved without the need to scrub through hours of video. With the Person Match feature, a human can be tracked on one, or across multiple cameras with a few easy clicks generating a comprehensive list of their activity.



**Deep Learning  
Video Analytics**



**Powerful  
Metadata Search**



**Person Match  
Across Cameras**



**Object Detection  
(Human/Car/Bike)**



**Intrusion  
Detection**



**Loitering  
Detection**



**Line Crossing  
Detection**

## Live Monitoring View

- Classify Humans / Cars / Bike with colorful box identifiers in live mode or optional on-screen pop-up notifications
- Intrusion and line crossing detection (set zones or trip wire)
- Loitering detection (set number of humans and dwell time)
- Send alerts such as emails, trigger event alarms, and more...

## Play Back Search

- Person Match tracks a person across one more cameras generating a comprehensive view of an individual's whereabouts
- Easily filter large amounts of video with detailed metadata searches using object classification and color.

## Analytic Server Specifications

Model		CSP-10SVRA
<b>Deep Learning Analytics</b>	Max Channels Supported	64
	Standard Sampling Resolution & Rate	640 x 360 at 5ips
	Processing Unit	NVIDIA RTX2060 Super 8GB
	Events	Loitering, Intrusion
	Detection Objects	Human, Vehicle, Bike (Bicycle/Motorcycle)
	Detection Color	Black, White, Gray, Red, Yellow, Green, Blue, Magenta, and Brown
<b>Connections</b>	Audio Inputs/Outputs	1 x 3.5mm AUX Input / 1 x 3.5mm AUX Output
	Video Outputs	1 x HDMI / 1 x DisplayPort / 1 x VGA
	Maximum Display Resolution	4K (HDMI and DisplayPort) / 1080p (VGA)
	Network	2 x Gigabit RJ-45 Ethernet Port
	Storage	1 x Internal SATA III (6.0 Gb/s) Port / 1 x eSATA Port
	Serial	1 x RS232 (DB9 Terminal Block)
	USB Ports	<b>Front:</b> 2 x USB 2.0 <b>Rear:</b> 2 x USB 2.0 / 2 x USB 3.0
<b>Software</b>	Operating System	Microsoft® Windows® Embedded Standard 8
<b>Compatibility</b>	StarNET PRO NVR Servers	CSP-10SVR64 and CSP-10SVR256 Series NVR Servers

### General

<b>Processor</b>	Intel Core i7-7700
<b>Memory</b>	8GB
<b>Rack Mount</b>	4U Rack Mountable
<b>Warranty</b>	5 Years

### Electrical

<b>Input Voltage</b>	100-240VAC, 50/60Hz, 5.5-2.5A
<b>Consumption</b>	350W

### Environmental

<b>Operating Temperature</b>	32°F (0°C) to 104°F (40°C)
<b>Humidity</b>	0% to 90% (non-condensing)

### Compliance

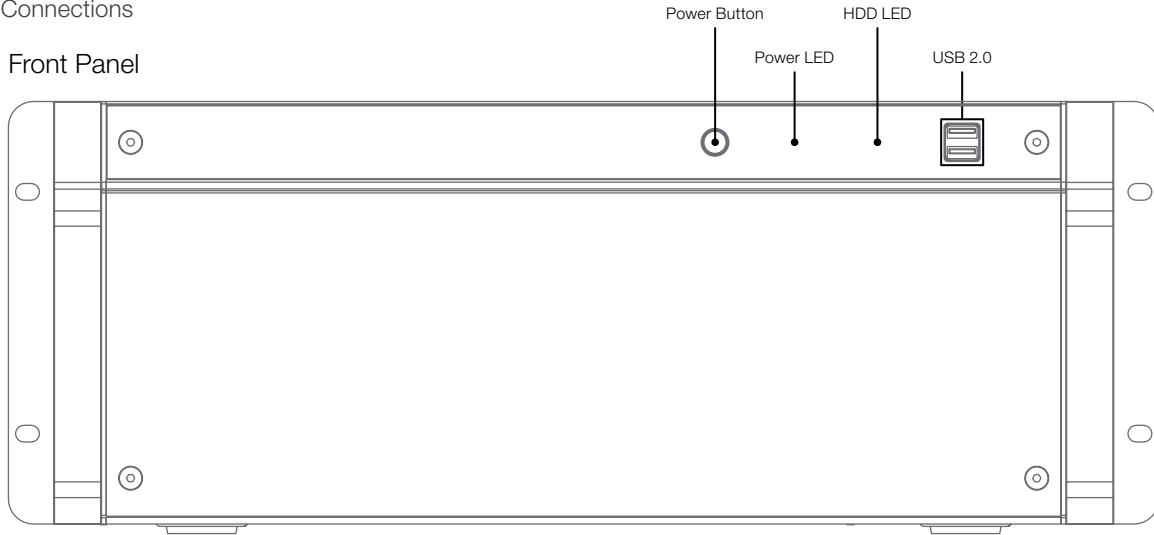
<b>Approvals</b>	FCC, CE, CB, UL, KC
------------------	---------------------

### Mechanical

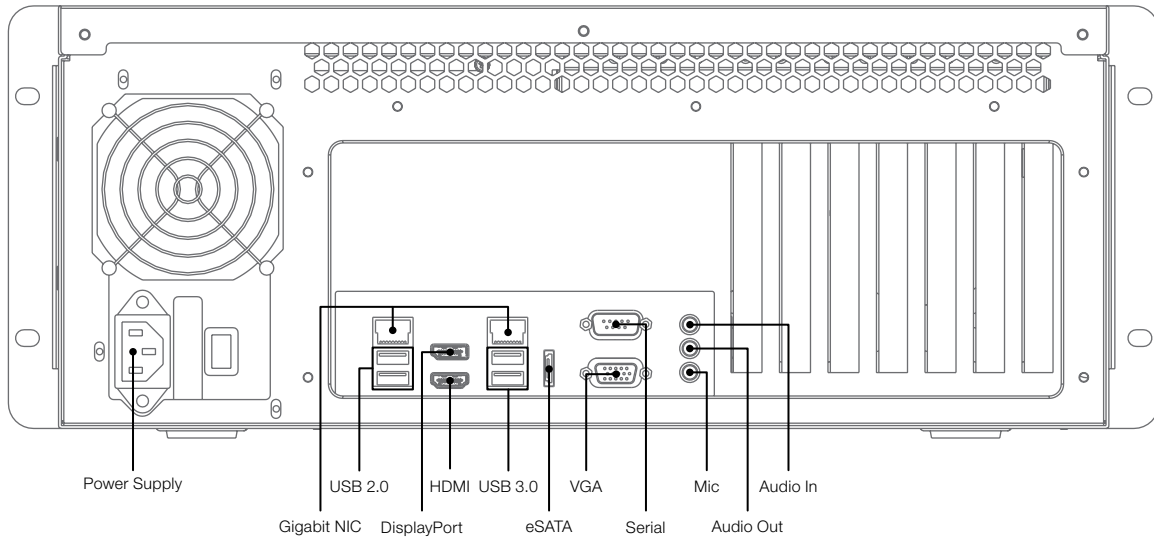
<b>Dimensions</b> <i>(See Dimensions)</i>	<b>Unit</b>	17.3" W (440mm) x 7" H (177mm) x 18.2" L (18.2mm)
	<b>Packaged</b>	23.2" W (590mm) x 13.7" H (350mm) x 27.6" L (700mm)
<b>Weight</b>	<b>Unit</b>	30.9lbs (14kg)

## Controls and Connections

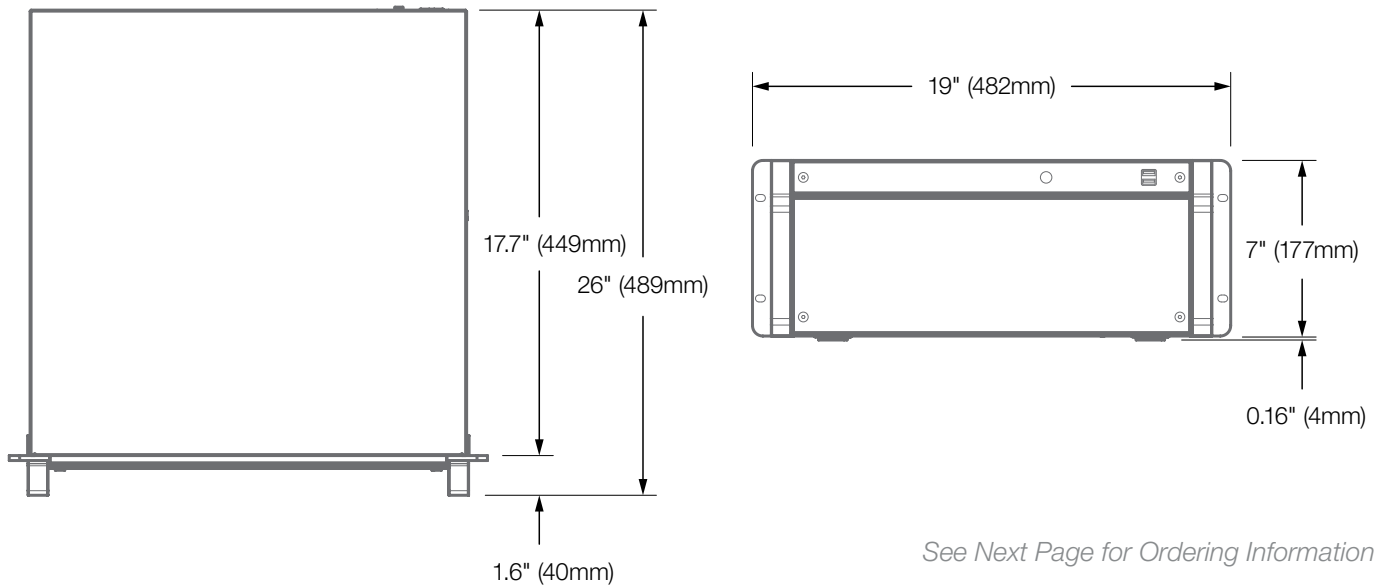
### Front Panel



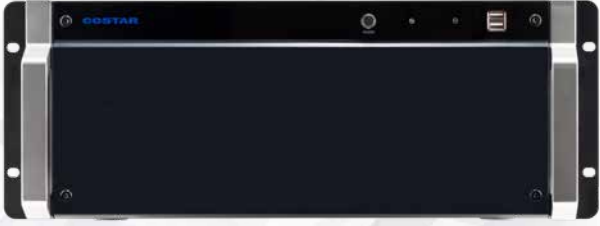
### Rear Panel



## Dimensions



See Next Page for Ordering Information



## Model Numbers

Analytic Server	CSP-10SVRA
-----------------	------------

## Software and Service Licenses

Part Number	Description
<b>StarNET Pro Video Management System</b>	
StarNET PRO Analytic Licenses	
<b>CSP-10A</b>	CSP Standard 1 Channel Analytic License

Create Your Model (Example: **CSP-10SVRA**)

Analytic Server

