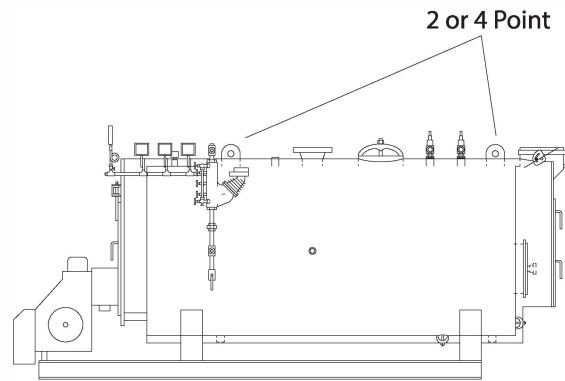
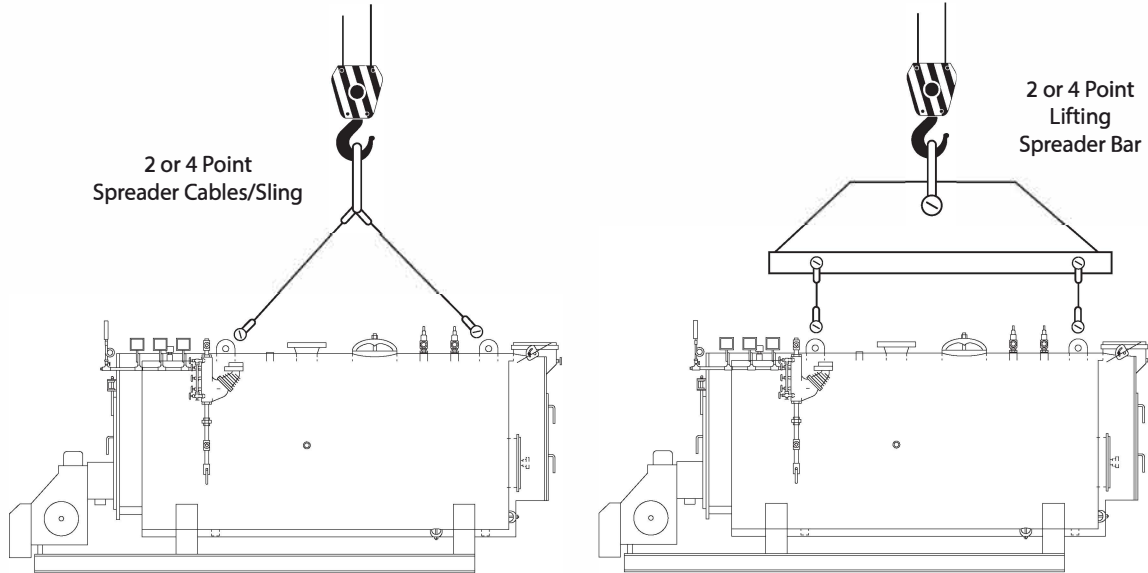


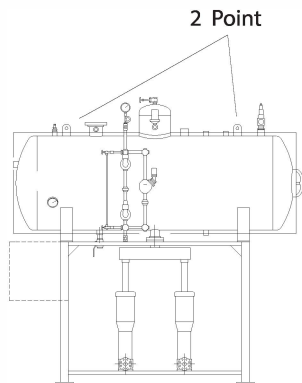
# EQUIPMENT LIFTING POINTS

**This HBC reference drawing is to show points of lift only.  
PLEASE CONSULT PROFESSIONAL RIGGING COMPANY  
BEFORE ANY LIFT IS ATTEMPTED!**

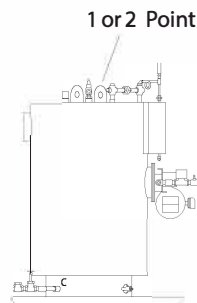


ALL SCOTCH MARINE SERIES

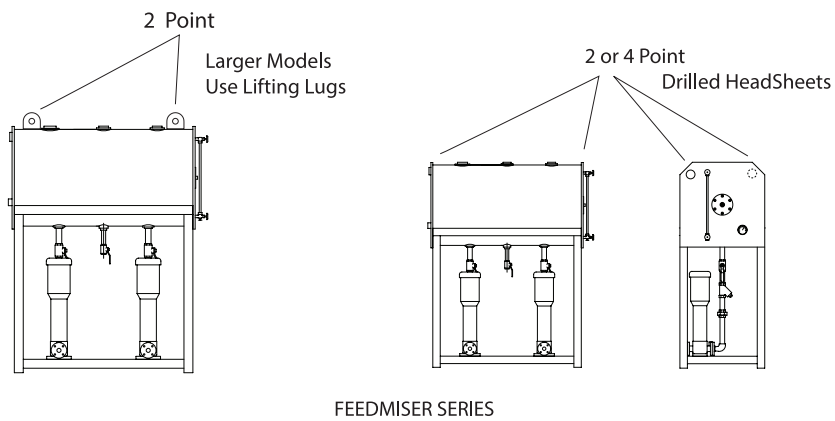
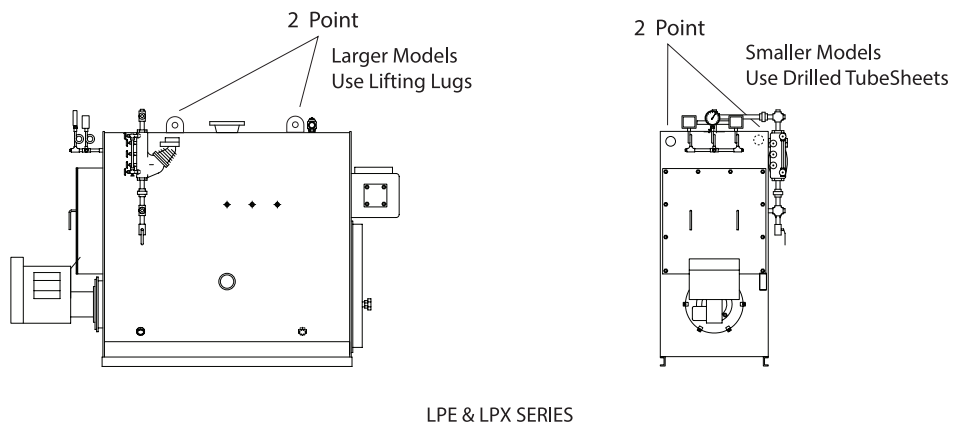
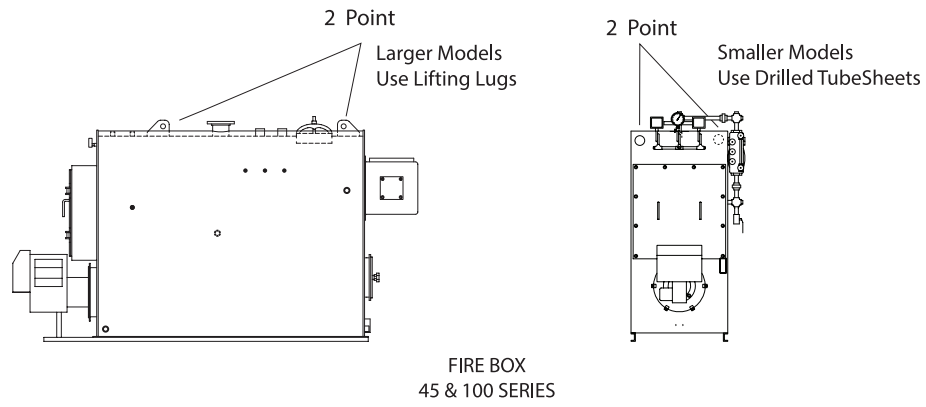
---



OXYMISER SERIES



VERTICAL SERIES



**This HBC reference drawing is to show points of lift only.  
PLEASE CONSULT PROFESSIONAL RIGGING COMPANY  
BEFORE ANY LIFT IS ATTEMPTED!**