

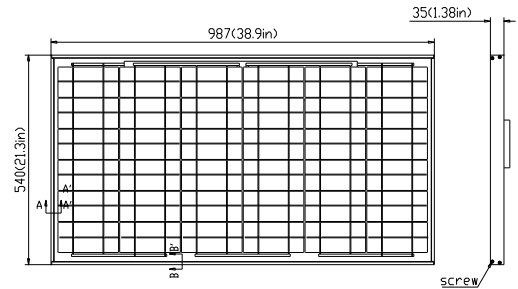


SPECIFICATIONS

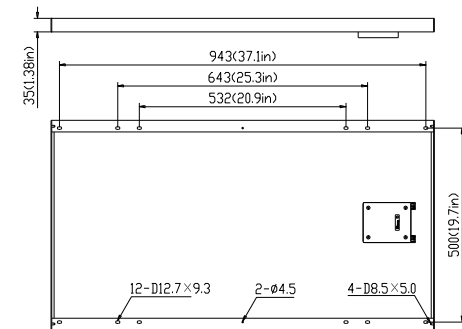
ELECTRICAL CHARACTERISTICS			
Model	SPM090M-WP-F		
Power at STC(P _m)	90W		
Maximum power voltage(V _{pm})	38.8V		
Maximum power current(I _{pm})	2.33A		
Open circuit voltage(V _{oc})	46.3V		
Short circuit current(I _{sc})	2.5A		
Tolerance	± 5%		
Module efficiency	16.9%		
Standard test conditions	Temperature 25°C, Irradiance 1000W/m ² , AM=1.5		
Maximum system voltage	1000V DC	Series fuse rating	15A
Temperature coefficient	I _{sc} :0.05%/K	V _{oc} :-0.36%/K	P _{max} :-0.46%/K

Specifications	
Cell	Monocrystalline silicon solar cell, (156mmx39mm)
No. of cell and connection	72(6x12)
Dimension	987mm (38.9in) x540mm (21.3in) x35mm (1.38in)
Weight	7KG

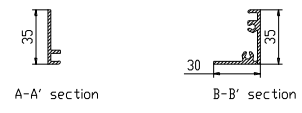
OUTLINE DIMENSIONS



AMBIENT CONDITIONS	
Operating Temperature	-40°C to +85°C
Storage Humidity	<90%



Output	
Type of output terminal	Junction box
Cable	None



IV CURVES

