



OPERATOR'S MANUAL  
AND  
PARTS LISTING  
FOR THE  
**ROLLER CRIMPER**

3-pt Models

version: 16594 (updated 05-18-2026)  
starting at serial number 24000

*TO THE OWNER AND OPERATORS*

Before assembling or operating this unit, READ THIS MANUAL THOROUGHLY. To obtain the best performance of the unit, familiarize yourself with each component and adjustment. Store this manual where it can be readily available for future reference. In the event that the harrow or any part of the unit should be sold, be sure that the new owner receives a copy of this manual for their reference.

1330 DALLAS STREET, P.O. BOX 100  
SAUK CITY, WISCONSIN 53583  
PHONE: (608) 643-3322  
TOLL FREE: (800) 627-8569 FAX: (608) 643-3976  
[www.mcfarlanemfg.com](http://www.mcfarlanemfg.com)

## TABLE OF CONTENTS

INTRODUCTION .....	3
LIMITED WARRANTY .....	3
PRODUCT REGISTRATION.....	3
SAFETY .....	4
CONTACT INFORMATION.....	5
LIGHTING AND MARKING.....	6
SAFETY SIGN CARE .....	6 - 7
TIRE SAFETY.....	7
BEFORE OPERATION.....	7 - 8
DURING OPERATION .....	8
FOLLOWING OPERATION .....	9
HIGHWAY AND TRANSPORT OPERATIONS .....	9 - 10
PERFORMING MAINTENANCE .....	10
MAINTENANCE AND SERVICE SCHEDULE .....	11
OPERATING SUGGESTIONS.....	11
ASSEMBLY SUGGESTIONS.....	12
ASSEMBLY INSTRUCTIONS .....	13 – 18
FINAL ADJUSTMENTS .....	19
TROUBLESHOOTING.....	19
BOLT TORQUE SPECIFICATIONS .....	APPENDIX A
PARTS DIAGRAMS AND LISTS .....	APPENDIX B
DECAL IDENTIFICATION AND LOCATION .....	APPENDIX B
LAYOUT DIAGRAMS.....	APPENDIX C
WARRANTY REGISTRATION FORM.....	30



## INTRODUCTION

Thank you for purchasing your new McFarlane 3-pt lift and harrow sections. We know that you will get many years of dependable service from this modernly designed unit.

You may have had a particular application in mind when you purchased this unit. There are actually many uses for the McFarlane harrow including incorporation of herbicides and pesticides, leveling and smoothing tilled soil, and covering of broadcast seeds. Contact your dealer if you would like more information or have questions concerning these or other applications.

## LIMITED WARRANTY

### FULL ONE - YEAR WARRANTY OF

#### Roller Crimper 3-point

If within one year from the date of purchase, this 3-pt lift and/or its accompanying harrow sections fail due to defect in material or workmanship, McFarlane Mfg. Co., Inc. will repair it, free of charge.

Warranty service is available by simply contacting the nearest McFarlane dealership throughout the United States or Canada.

This warranty applies only while this product is used in the United States or Canada.

This warranty gives you specific legal rights, and you may have other rights which vary from state to state.

McFarlane Mfg. Co., Inc., Sauk City, Wisconsin 53583

## PRODUCT REGISTRATION

All McFarlane Ag products need to be registered to the owner prior to use. The dealer is required to submit the product registration through the McFarlane dealer portal. Failure to register the product may result in future warranty claims being rejected.

**Register at:** [mcfarlaneag.com/product-registration](http://mcfarlaneag.com/product-registration)

**Scan to Register:**



## **SAFETY**

TAKE NOTE! THIS SAFETY ALERT SYMBOL FOUND THROUGHOUT THIS MANUAL IS USED TO CALL ATTENTION TO INSTRUCTIONS INVOLVING YOUR PERSONAL SAFETY AND THE SAFETY OF OTHERS. FAILURE TO FOLLOW THESE INSTRUCTIONS CAN RESULT IN INJURY OR DEATH.



THIS SYMBOL MEANS

- **ATTENTION!**
- **BECOME ALERT!**
- **YOUR SAFETY IS INVOLVED!**

### **SIGNAL WORDS:**

Note the use of the signal words DANGER, WARNING, and CAUTION with the safety messages. The appropriate signal word for each has been selected using the following guidelines:

**DANGER:** Indicates an imminently hazardous situation that, if not avoided, will result in death or serious injury.

**WARNING:** Indicates a potentially hazardous situation that, if not avoided, could result in death or serious injury.

**CAUTION:** Indicates a potentially hazardous situation that, if not avoided, may result in minor or moderate injury.

## CONTACT INFORMATION

If you have questions not answered in this manual, require additional copies, or the manual is damaged, please contact your local dealer or:

McFarlane Mfg. Co., Inc.  
1330 Dallas Street  
P.O. Box 100  
Sauk City, WI 53583

PHONE: (608) 643-3322  
TOLL FREE: (800) 627-8569  
FAX: (608) 643-3976  
WEB: [www.mcfarlanemfg.com](http://www.mcfarlanemfg.com)



## SAFETY FIRST!



### **Equipment Safety Guidelines**

Safety of the operator is one of the main concerns in designing and developing a new piece of equipment. Designers and manufacturers build in as many safety features as possible. However, every year many accidents occur which could have been avoided by a few seconds of thought and a more careful approach to handling equipment. You, the operator, can avoid many accidents by observing the following precautions. To avoid personal injury, study the following precautions and insist that those working with you, or for you, follow them.

Replace any CAUTION, WARNING, DANGER, or instruction safety decal that is not readable or missing.

Do not attempt to operate this equipment under the influence of drugs or alcohol.

Review the safety instructions with all users annually.

This equipment is dangerous to children and persons unfamiliar with its operation. The operator should be a responsible adult familiar with farm machinery and trained in this equipment's operations. **Do not allow persons to operate or assemble this unit until they have read this manual and have developed a thorough understanding of the safety precautions and of how it works.**

To prevent injury, use a tractor equipped with a Roll Over Protective System (ROPS). Do not paint over, remove, or deface any safety signs or warning decals on your equipment. Observe all safety signs and practice the instructions on them.

Never exceed the limits of the 3-pt lift or the harrows. If their ability to do a job, or to do so safely, is in question - **DO NOT TRY IT.**



### **Lighting and Marking**

It is the responsibility of the customer to know the lighting and marking requirements of the local highway authorities and to install and maintain the equipment to provide compliance with the regulations. Add extra lights when transporting at night or during periods of limited visibility.

Lighting kits are available from your dealer.



### **Safety Sign Care**

- Keep safety signs clean and legible at all times.
- Replace safety signs that are missing or have become illegible.
- Replacement parts that display a safety sign should display the same sign.
- Safety signs are available from your Distributor, Dealer Parts Department, or the factory.

How to Install Safety Signs:

- Be sure that the installation area is clean and dry.
- Decide on the exact position before you remove the backing paper.



### **Tire Safety**

- Failure to follow proper procedures when mounting a tire on a wheel or rim can produce an explosion which may result in serious injury or death.
- Do not attempt to mount tires unless you have the proper equipment and experience to do the job.
- Inflating or servicing tires can be dangerous. Whenever possible, trained personnel should be called to service and/or mount tires.
- Always order and install tires and wheels with appropriate capacity to meet or exceed the weight of the unit. Be sure to inflate tires to tire manufacturer's specifications
- Tires that are provided by the manufacturer are designed for speeds LESS THAN 20mph. Do Not exceed or tire failure will occur.



### **Remember:**

**Your best assurance against accidents is a careful and responsible operator. If there is any portion of this manual or function you do not understand, contact your local authorized dealer or the manufacturer.**



### **Before Operation:**

- Carefully study and understand this manual.
- Do not wear loose fitting clothing which may catch in moving parts.
- Always wear protective clothing and substantial shoes.
- It is recommended that suitable protective hearing and (eye protection) sight protectors be worn.
- Keep wheel lug nuts or bolts tightened.
- Assure that the tires are inflated evenly.
- Give the unit a visual inspection for any loose bolts, worn parts, or cracked welds, and make necessary repairs. Follow the maintenance safety instructions included in this manual.
- Before using the hydraulics on the cart, be sure all fittings and connections are tight.
- Be sure that there are no tools lying on the unit.
- Make sure that the area is clear of children, animals, and other obstacles before using.

- Don't hurry the learning process or take the unit for granted. Ease into it and become familiar with your new equipment. Practice operation of your new unit. Completely familiarize yourself and other operators with its operation before using.
- Securely attach to towing unit. Use a high strength, appropriately sized hitch pin with a mechanical retainer and attach safety chain.
- Do not allow anyone to stand between the tongue or hitch and the towing vehicle when backing up to the equipment.



### **During Operation:**

- Beware of bystanders, **particularly children!** Always look around to make sure that it is safe to start the engine of the towing vehicle or move the unit. This is particularly important with higher noise levels and quiet cabs, as you may not hear people shouting.
- **NO PASSENGERS ALLOWED** - Do not carry passengers anywhere on, or in, the tractor or equipment, except as required for operation.
- Keep hands and clothing clear of moving parts.
- Do not clean, lubricate, or adjust your equipment while it is moving.
- When altering operation, even periodically, set the tractor or towing vehicle brakes, shut off the engine, and **remove the ignition key.**
- Do not operate the hydraulic cylinders without the flow restrictors installed; the free falling harrow sections may cause serious injury.
- Pick the levellest possible route when transporting across fields. Avoid the edges of ditches or gullies and steep hillsides.
- Periodically clear the equipment of brush, twigs, or other materials to prevent buildup of dry combustible materials.
- Maneuver the tractor or towing vehicle at safe speeds.
- Avoid overhead wires or other obstacles. Contact with overhead lines could cause serious injury or death.
- Allow for unit length when making turns.
- Do not walk or work under raised wings unless securely positioned in wing rests.
- Keep all bystanders, pets, and livestock clear of the work area, particularly when raising or lowering harrow sections.
- Operate the towing vehicle from the operator's seat only.
- As a precaution, always recheck the hardware on equipment periodically. Correct all problems. Follow the maintenance safety procedures.



### **Following Operation:**

- When disconnecting, stop the tractor or towing vehicle, set the brakes, secure the wings with the lock bars, relieve hydraulic fluid pressure, shut off the engine and **remove the ignition keys**. Make sure all jack and support stands are in place before removing hitch pins.
- Store the unit in an area away from human activity on a hard level surface.
- Do not park equipment where it will be exposed to livestock for long periods of time. Damage and livestock injury could result.
- Do not permit children to play on or around the stored unit.



### **Highway and Transport Operations:**

- Make sure all transport lock provisions are in place and jack/parking stands are in their storage position before transporting the unit.
- Adopt safe driving practices:
  - Keep the brake pedals latched together at all times. **NEVER USE INDEPENDENT BRAKING WITH MACHINE IN TOW AS LOSS OF CONTROL AND/OR UPSET OF UNIT MAY RESULT.**
  - Always drive at a safe speed relative to local conditions and ensure that your speed is low enough for an emergency stop to be safe and secure. Keep speed to a minimum.
  - Reduce speed prior to turns to avoid the risk of overturning.
  - Avoid sudden uphill turns on steep slopes.
  - Always keep the tractor or towing vehicle in gear to provide engine braking when going downhill. Do not coast.
  - Do not drink and drive!
- Comply with state and local laws governing highway safety and movement of farm machinery on public roads.
- Use approved accessory lighting flags and necessary warning devices to protect operators of other vehicles on the highway during daylight and nighttime transport. Various safety lights and devices are available from your dealer.
- The use of flashing amber lights is acceptable in most localities. However, some localities prohibit their use. Local laws should be checked for all highway lighting and marking requirements.
- When driving the tractor and equipment on the road or highway under 20 mph at night or driving during the day, use flashing amber warning lights and a slow moving vehicle (SMV) identification emblem.
- Remember, tires supplied by the manufacturer are designed to operate LESS THAN 20mph. Do Not exceed or tire failure will occur.
- Be a safe and courteous driver. Always yield to oncoming traffic in all situations, including narrow bridges, intersections, etc. Plan your route to avoid heavy traffic.

- Be observant of bridge loading ratings. Do not cross bridges rated lower than the gross weight at which you are operating.
- Watch for obstructions overhead and to the side while transporting.
- Always operate equipment in a position to provide maximum visibility at all times. Make allowances for increased length and weight of the equipment when making turns, stopping, etc.



### **Performing Maintenance:**

- Good maintenance is your responsibility. Poor maintenance is an invitation to trouble.
- Before working on this machine, stop the tractor or towing vehicle, set the brakes, lower into field position, relieve the hydraulic fluid pressure, shut off the engine and **remove the ignition keys**.
- **Always** use safety support and block the wheels. When performing maintenance, never use a jack to support the machine. Assist the jack with blocks or other adequate support.
- Use extreme caution when making adjustments.
- When disconnecting hydraulic lines, shut off hydraulic supply and relieve all pressure.
- Never use hands to locate a hydraulic leak on attachments. Use a piece of cardboard or wood. Hydraulic fluid escaping under pressure can penetrate the skin.
- Openings in the skin and minor cuts are susceptible to infection from hydraulic fluid. **If injured by escaping hydraulic fluid, see a doctor at once. Gangrene can result. Without immediate medical treatment, serious infection and reactions can occur.**
- When installing, replacing, or repairing hydraulic system cylinders or parts, make sure that the entire system is charged and free of air before resuming operations. Failure to bleed the system of all air can result in improper machine operation, causing severe injury.
- After servicing, be sure all tools, parts, and service equipment are removed.
- Never replace hex bolts with less than grade five bolts unless otherwise specified.
- Where replacement parts are necessary for periodic maintenance and servicing, genuine factory replacement parts must be used to restore your equipment to original specifications. The manufacturer will not claim responsibility for damages as a result of the use of unapproved parts and/or accessories.
- If equipment has been altered in any way from original design, the manufacturer does not accept any liability for injury or warranty.

## **MAINTENANCE AND SERVICE SCHEDULE**

- Prior to each use, check for loose bolts and replace lost or worn parts.
- Grease hinge pins before each use when necessary.
- Inspect and repack wheel bearings at the beginning of each year.
- Parts diagrams and listings for service and repair references may be found in appendix B.

## **OPERATING SUGGESTIONS**

There are some important points to remember in order to obtain the best possible results from your McFarlane harrow.

- To maximize the harrow's performance, it should be towed at speeds ranging from 6 to 9 mph.
- Getting the unit ready for transport by rotating the wings up into the wing rests.
- Getting the unit ready for field by rotating the wings down into field position, making sure to fully extend the wing fold cylinders

## ASSEMBLY SUGGESTIONS

- You will find the machine is easier to assemble if the set-up instructions are followed in the order given in the manual.
- Whenever the terms “left” and “right” are used, it should be understood to mean when standing behind and facing the unit. This is also known as the “driver’s left” and the “driver’s right.”
- The term “field position” refers to the position the harrows are in when the unit is being used in the field - that is, with the wings down and the harrow sections down.
- The term “transport position” refers to the position the harrows would be in when the unit is being transported from place to place - that is, with the harrows up and the wings folded and secured with the lock bars.
- When assembling this unit, make sure that the parts are securely held before proceeding to the next step.
- In some cases, the instructions will refer to components that may not be included on your unit. These steps may be skipped.
- Bolt torque specifications are given in appendix A.
- The hydraulic cylinder and hose requirements are listed in the parts listing in appendix B. It is not recommended that other size cylinders or hoses be substituted. Hoses are marked with the part number near the ends. The last three digits indicate the hose length in inches. Fittings with a restrictor are marked with an ‘R’.
- A dual acting hydraulics supply is required. The unit is designed for the standard ASAE pressure of 1500 psi.
- Tire requirements are also listed in the parts listing in appendix B.
- Layout diagrams for each unit may be found in appendix C. Mark the page with the diagram that refers to your unit, it will be referred to periodically throughout the manual.
- Apply the marker decals (DC-303, DC-304 and DC-305) to the toolbars before attaching the Rigid Connectors or the Roller Crimper Reels. Refer to pages 26 and 27.

## STEP - BY - STEP ASSEMBLY INSTRUCTIONS

### Mounting the 3-PT

1. Attach the Front Center Tool Bar to the tractor using the 1 7/16" x 9" hitch pins and Snap Pins in the lower brackets. The top link pin requires a 1" Top Link Pin and Lynch Pin.

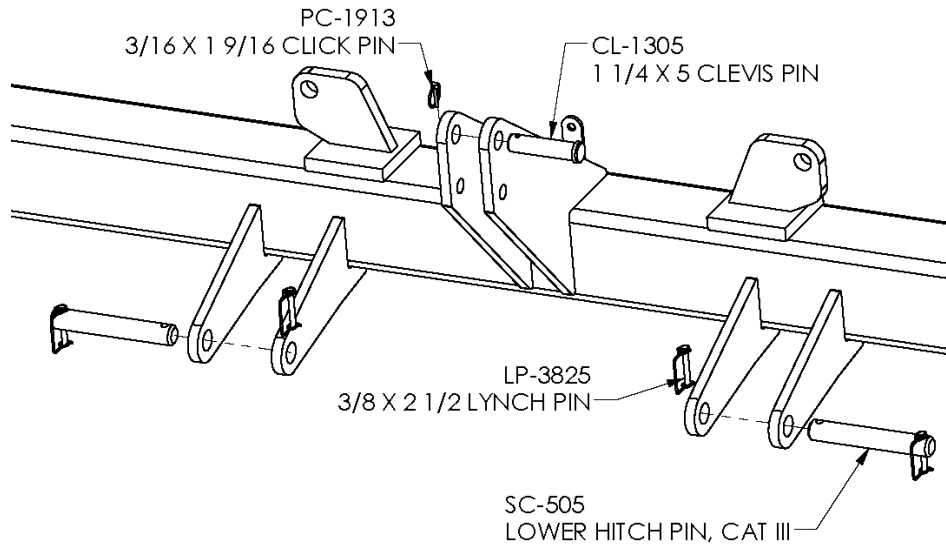


Figure 1

### Attach the Wings to the Center Bar

*For rigid toolbar option skip this section.*

1. Attach the wings to the center bar using two 1 1/2" x 8 5/16" hinge pins and the 1/2" x 3" grade 8 bolts and top lock hex nuts.

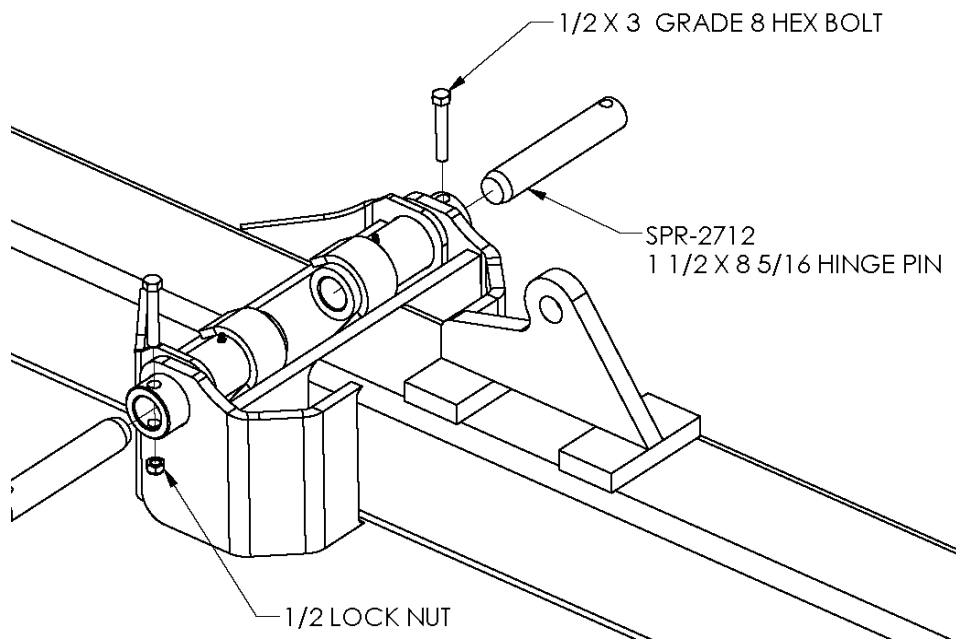
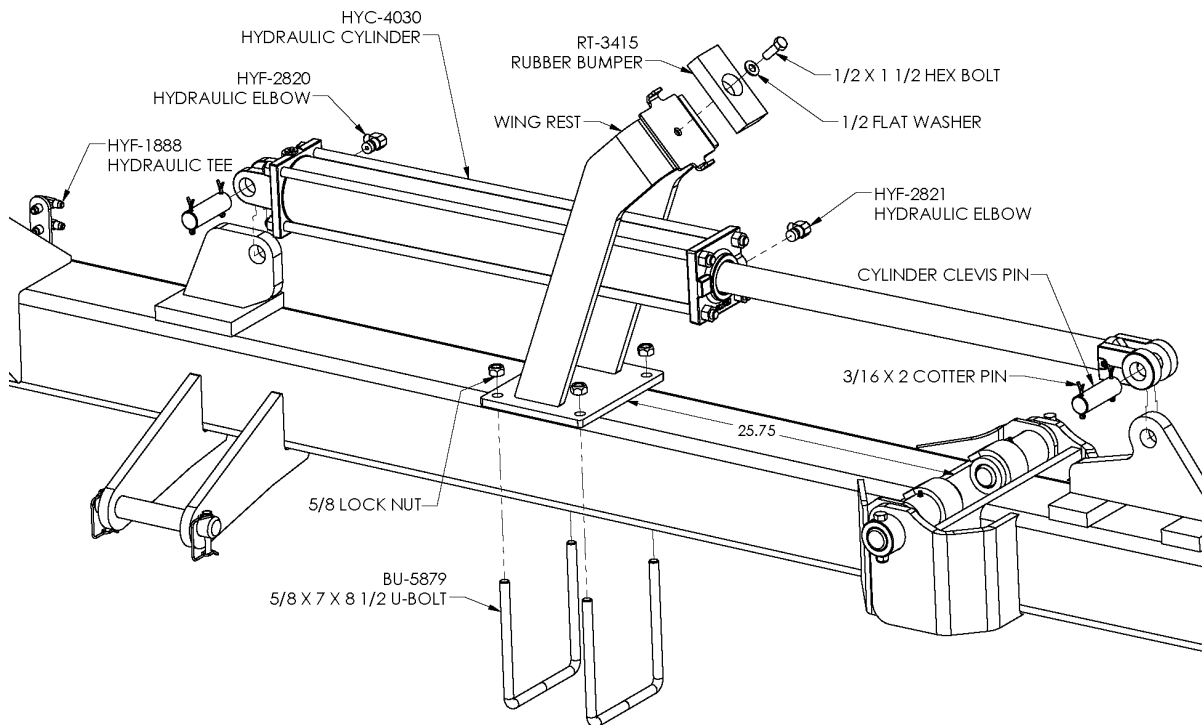


Figure 2

## **Install the Hydraulics**

*For rigid toolbar option skip this section.*

1. Attach the 30” hydraulic cylinders to the cylinder posts. Make sure that the ports in the cylinders face towards the rear of the unit.
2. Attach hydraulic tee’s to the bracket in the center of the toolbar.
3. Make sure to put the cylinder through the wing rest before attaching.
4. Insert a HYF-2821, 3/8m – 1/2 o-ring elbow with restrictor into the rod end (outer) port of each cylinder and a HYF-2820, 3/8m – 1/2 o-ring elbow into the base end (inner) ports of each cylinder. Do not over tighten.
5. For hose lengths see the parts diagram and listing in appendix B. Connect the longer hoses to the elbows in the outer or farthest from center cylinder ports. Connect these two hoses in the center with a 3/8m – 3/8m – 3/8m tee fitting. Repeat for the shorter hoses on the inner most cylinder ports.
6. If not already attached, secure the rubber bumper to the wing rest using the 1/2 x 1 1/2 hex bolt and flat washer.
7. Attach the wing rest to the main tool bar using the 5/8 x 7 x 8 1/2 U bolts and locking nuts. Locate approximately 25 3/4 inches from end of tube cover plate to edge of base plate. Do not tighten yet.

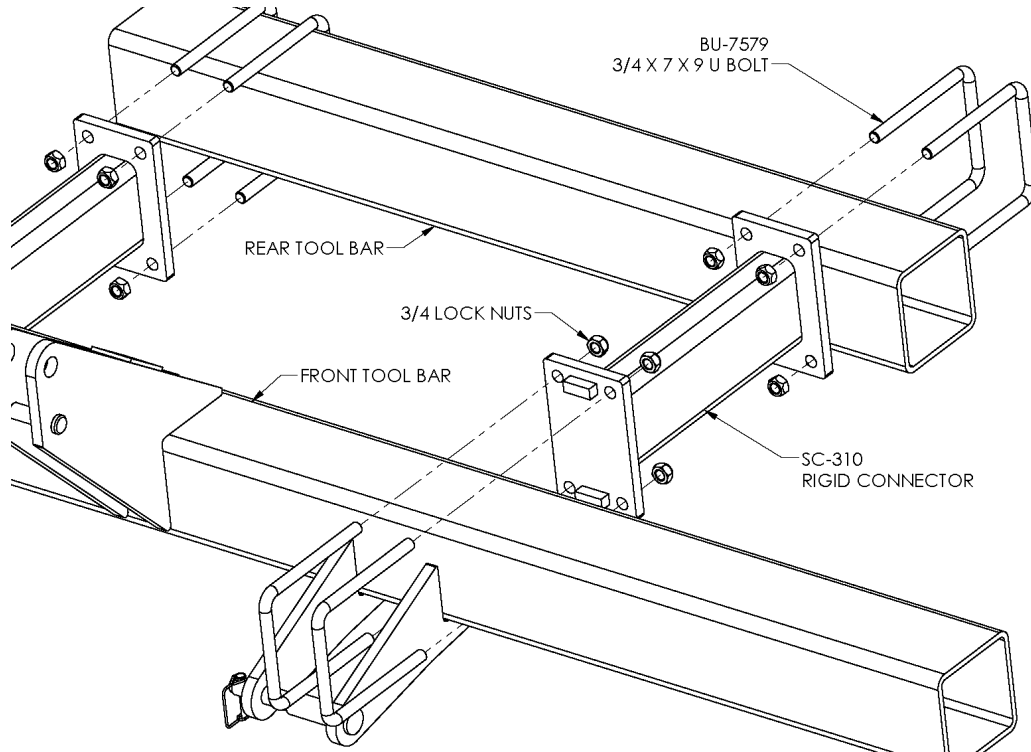


**Figure 3**

## **ATTACH THE SECOND TOOL BARS**

*Use the layout diagrams in Appendix C for connector locations*

1. Attach the SC-310 rigid connectors to the front tool bar using the 3/4 x 7 x 9 U-bolts and lock nuts.
2. Attach the rear tool bar to the rigid connectors using the 3/4 x 7 x 9 U bolts and locking nuts.



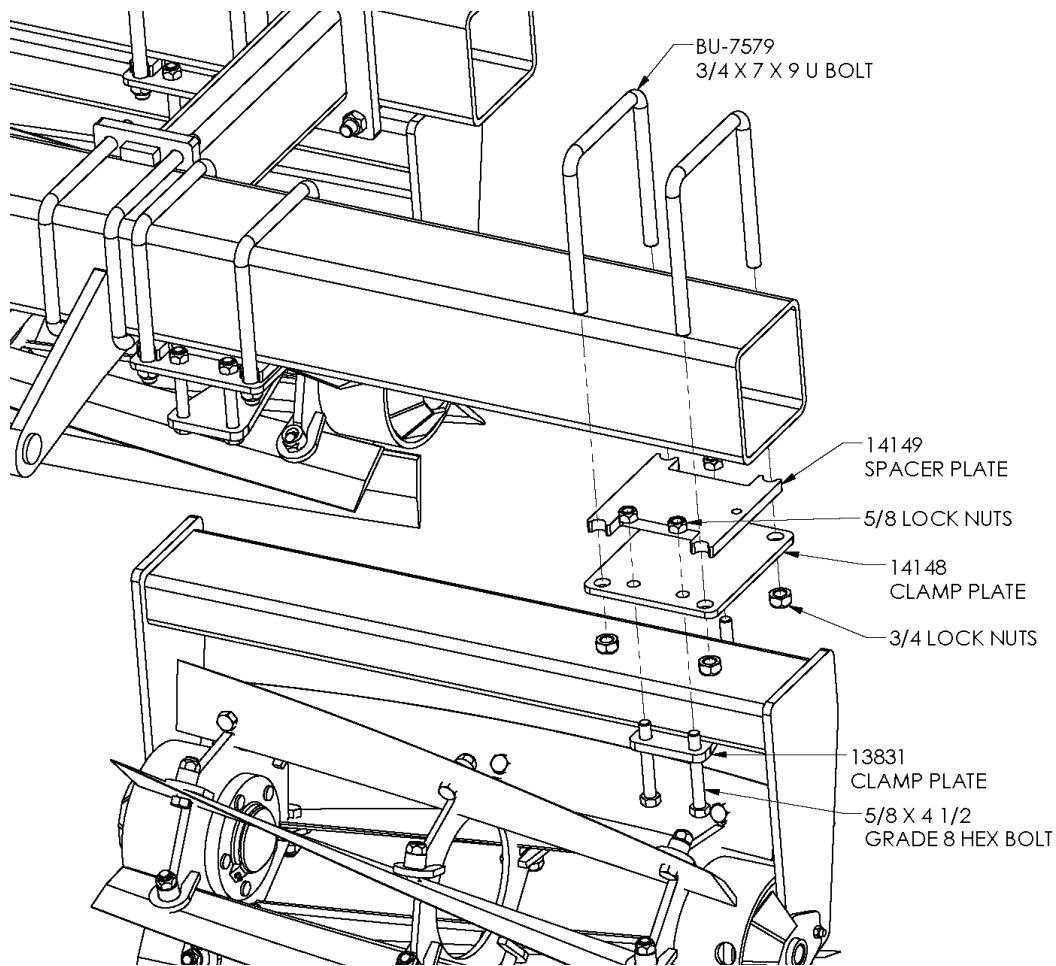
**Figure 4**

## **ATTACH THE ROLLER CRIMPER REELS TO THE TOOL BARS**

*Use the layout diagrams in Appendix C for size and location*

*NOTE: The direction the Roller Crimper Reels are mounted is different if the unit is to be used on the front of the tractor or on the rear. Refer to the Spiral Reel Blade Attachment (Figure 6) and note the location of the anti-wrap guard.*

1. Attach the Clamp Plate (14148) to the toolbar using the BU-7579 U-bolts and 3/4" lock nuts. Make sure to include the Spacer Plate (14149) between the Clamp Plate and the toolbar.
2. Attach the Roller Crimper Reel using the Clamp Plate (13831) and the 5/8 x 4 1/2 grade 8 hex bolts and 5/8 lock nuts.



**Figure 5**

## Spiral Reel Blade Attachment

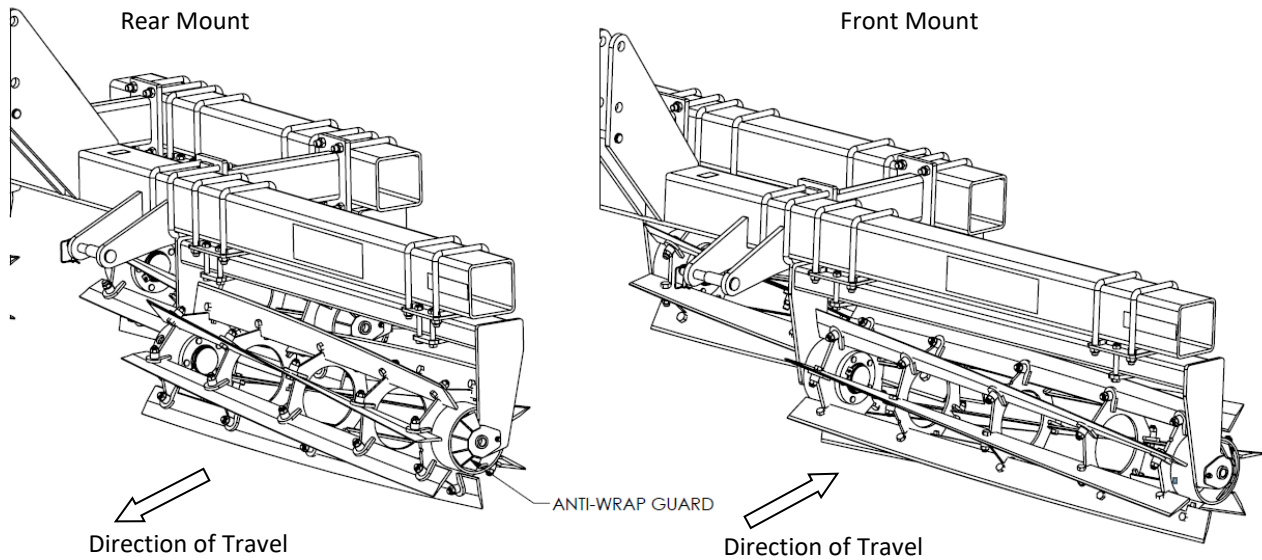


Figure 6

## Adjust the Wing Rests

*For rigid toolbar option skip this section.*

1. Fold the unit into the transport position, then adjust the Wing Rest so that the rubber pad is touching the wing. Approximately 25 3/4" from end of tube. Tighten all fasteners.

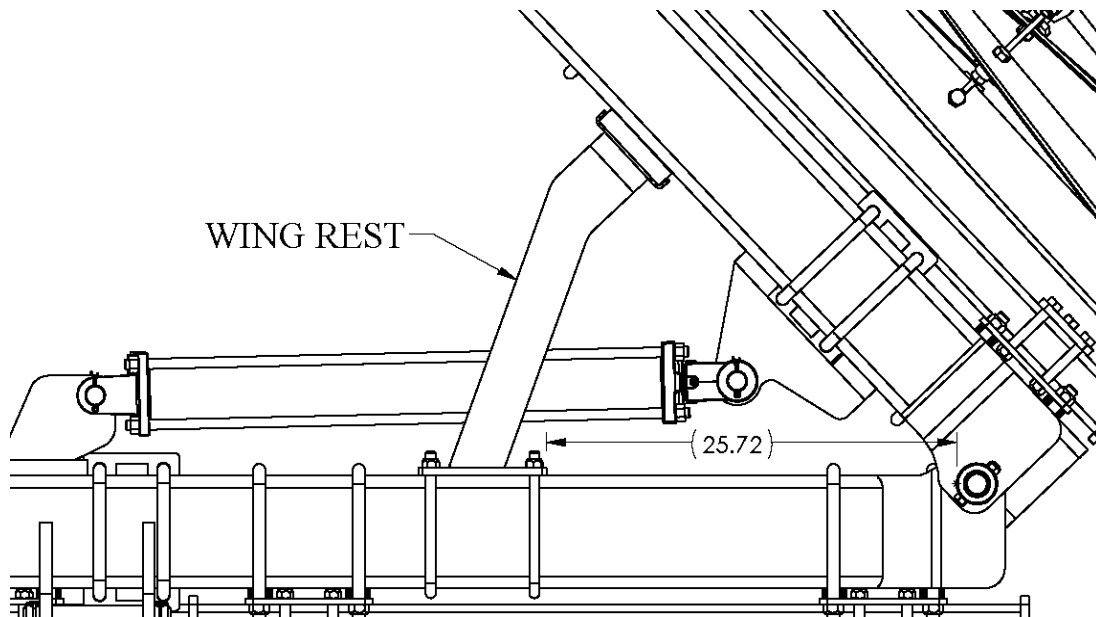


Figure 7

## Attach the Lights

1. Attach the light brackets and lights as shown. The amber light should be positioned as far out as possible. The red lights should be visible when standing behind the unit and should be spaced between 2 ft and 5ft from the center of the unit. Connect the wire harness to the lights

and route along the hydraulic hose to the hitch. Wrap up and secure the wire harness with cable ties to prevent damage.

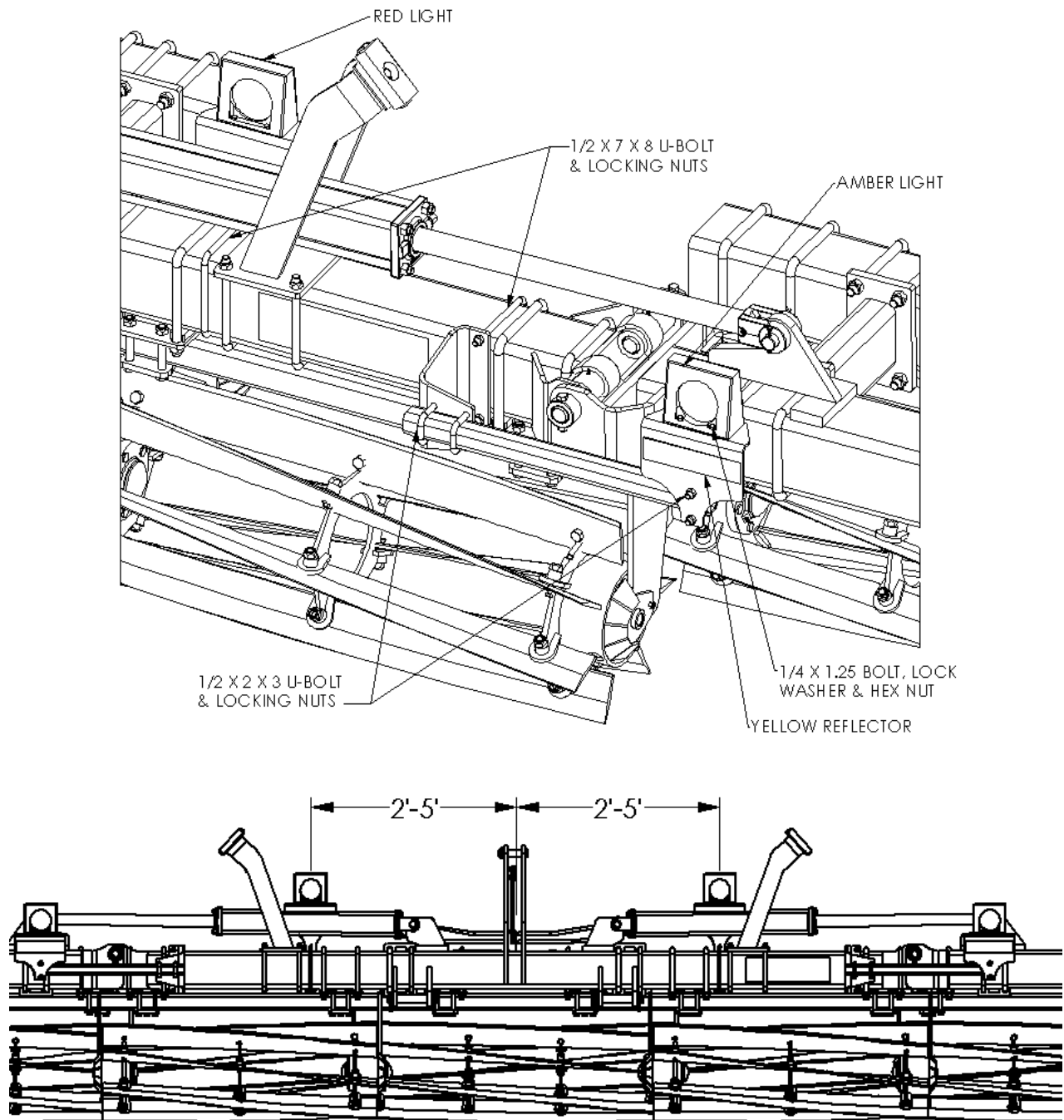


Figure 8

### Final Adjustments

1. Lower the unit into the field position.
2. Pull the completed unit ahead a few feet to check that everything is properly assembled and that nothing is binding or misaligned.

3. Check to make sure that all bolts and fasteners are tight.
4. With the unit in the transport position, attach the red and amber reflectors at the widest visible points. The red reflectors should be visible from the rear of the unit, and the amber reflectors should be visible from the front of the unit.
5. When unhooking the unit from the tractor make sure that the jack stand supports are in place.
6. After the first few hours of operation, check all fasteners and tighten if necessary. Include wheel lugs.

This completes the assembly of your harrow and 3-pt lift. Before using the unit, double check that all components have been assembled properly. If there are any questions regarding any of the assembly steps, contact your local dealer for an explanation. Do not operate this or any equipment unless you are sure that all components operate as they were designed to operate.

### **TROUBLESHOOTING**

<b>PROBLEM</b>	<b>POSSIBLE CAUSE</b>	<b>SOLUTION</b>
Hydraulics actuate too rapidly	Hydraulic restrictors not installed	Install hydraulic restrictors
Excessive clogging during operations	Angle of attack too steep	Pull harrow sections from the other end
	Ground speed too low	Increase ground speed to 6 - 9 mph

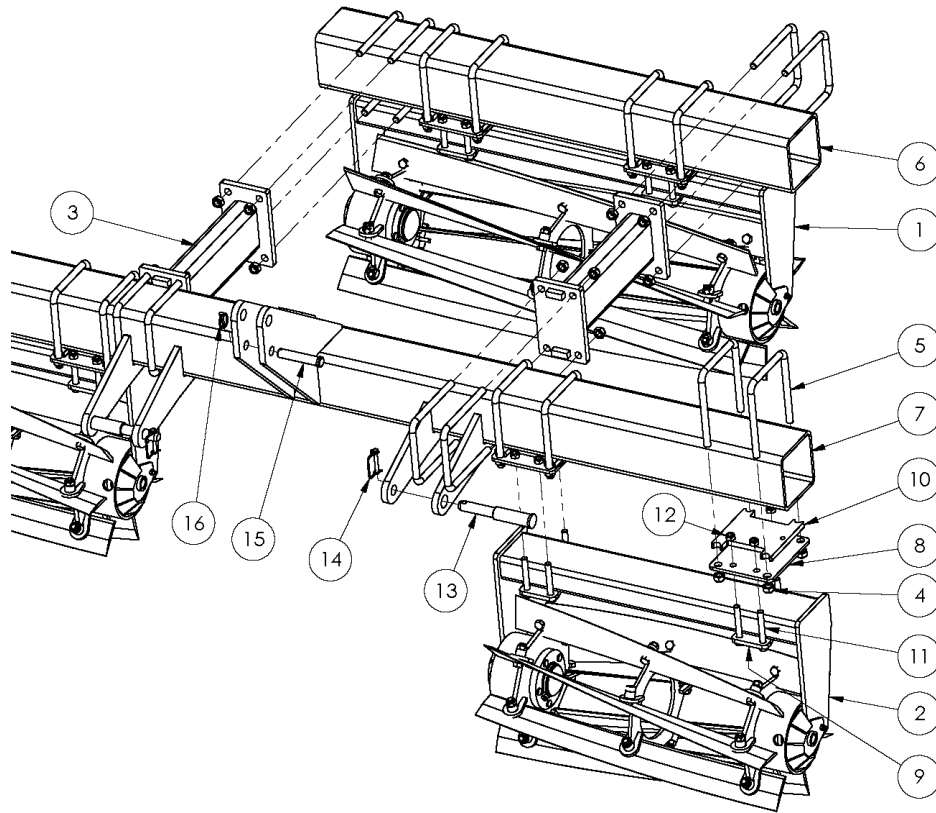
## BOLT TORQUE SPECIFICATIONS

Coarse Thread Series			Fine Thread Series		
Nut Size and Threads per Inch	Nut Tightening Torque (lb.ft.)		Nut Size and Threads per Inch	Nut Tightening Torque (lb.ft.)	
Grade C Nuts			Grade C Nuts		
	Max.	Min.		Max.	Min.
1/4 - 20	14.7	10	1/4 - 28	14.7	10
5/16 - 18	22.3	15.2	5/16 - 24	23.4	18.4
3/8 - 16	39	28	3/8 - 24	41	30
7/16 - 14	60	44	7/16 - 20	60	44
1/2 - 13	88	63	1/2 - 20	98	70
9/16 - 12	134	98	9/16 - 18	134	98
5/8 - 11	172	127	5/8 - 18	176	127
3/4 - 10	295	218	3/4 - 16	295	218
7/8 - 9	440	317	7/8 - 14	440	317
1 - 8	651	506	1 - 14	703	610

## WHEEL LUG TORQUE SPECIFICATIONS

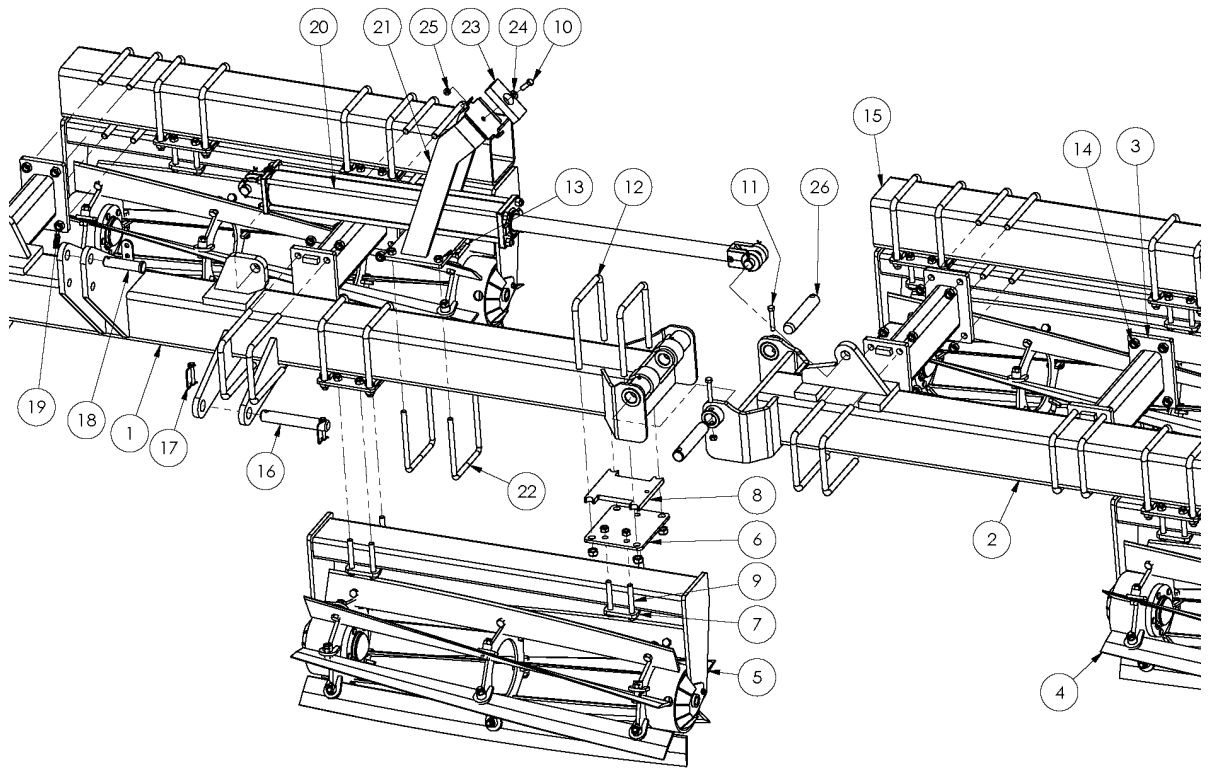
Tire Size	Lug Size	Lug Tightening Torque (lb.ft.)	
		Max.	Min.
18.5X8.5-8	½ nut	85	75
7.60-15	½ x 1	85	75
9.5L-15	½ x 1	90	80
11L-15	½ x 1	90	80
12.5L-15	9/16 x 1	90	80
13X13.5-15	9/16 x 1	90	80
425/65R 22.5	3/4 nut	90	80

### 3-POINT RIGID ROLLER CRIMPER PARTS DIAGRAM



Key	Part No.	Description
1	14163	<b>DURA CRIMPER ASSEMBLY, 51" (4R30-DC)</b>
2	14164	<b>DURA CRIMPER ASSEMBLY, 36" (4R30-DC)</b>
2	14308	<b>DURA CRIMPER ASSEMBLY, 66" (6R30-DC)</b>
3	SC-310	RIGID CONNECTOR
4	NLT-7510	NUT, LOCK, TOP, 3/4-10
5	BU-7579	U-BOLT, 3/4-10 X 7 X 9
6	SC-2005	<b>REAR TOOL BAR 60"</b>
7	14143	<b>TOOLBAR, RIGID, 10'</b>
7	14310	<b>TOOLBAR, RIGID, 15'</b>
8	14148	PLATE, CLAMP
9	13831	PLATE, CLAMP
10	14149	PLATE, SPACER
11	BHY-6345	BOLT, HEX, 5/8-11 X 4 1/2, GRADE 8
12	NLT-6311	NUT, LOCK, TOP, 5/8-11
13	SC-504	LOWER HITCH PIN, CAT II - III
14	LP-3825	PIN, LYNCH, 3/8 X 2 1/2
15	CL-1005	CLEVIS PIN
16	PC-1913	PIN, CLICK, 3/16 X 1 9/16

## 3-POINT FOLDING ROLLER CRIMPER PARTS DIAGRAM

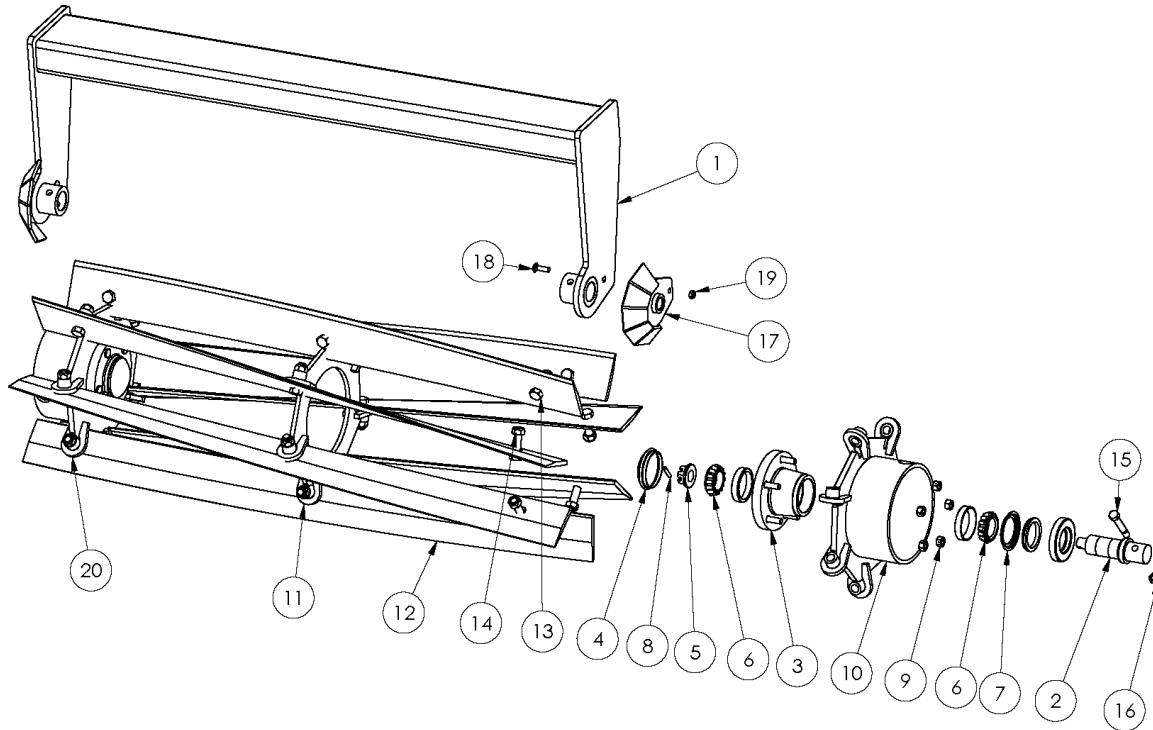


Key	Part No.	Description
1	13622	<b>CENTER BAR, 12'</b>
2	14683	WING, 116", WEIGHTED
3	SC-310	RIDID CONNECTOR
4	14700	ASM, DURACRIMPER, 58"
5	14163	ASM, DURACRIMPER, 51"
6	14148	PLATE, CLAMP
7	13831	PLATE, CLAMP
8	14149	PLATE, SPACER
9	BHY-6345	BOLT, HEX, 5/8-11X4.5, GD8
10	BH-5015	BOLT, HEX, 1/2-13X1.5, GD5
11	BHY-5030	BOLT, HEX, 1/2-13X3, GD8
12	BU-7579	U-BOLT, 3/4-10x7x9
13	NLT-6311	NUT, LOCK, TOP, 5/8-11
14	NLT-7510	NUT, LOCK, TOP, 3/4-10
15	SC-2005	REAR TOOL BAR - 60"
16	SC-505	LOWER HITCH PIN, CAT III
17	LP-3825	PIN, LYNCH, 3/8 x 2 1/2
18	CL-1305	PIN, CLEVIS, 1 1/4X5

19	PC-1913	PIN, CLICK 3/16 X 1 9/16
20	HYC-4030	HYD CYLINDER,4 x 30
21	SPR-2816	WING REST ASSY 8R36
22	BU-5879	U-BOLT,5/8x7x9
23	RT-3415	RUBBER BUMPER
24	FW-0050	WASHER, FLAT, 1/2
25	NLT-5013	NUT, LOCK, TOP, 1/2-13
26	SPR-2712	PIN, STRAIGHT

**McFarlane Manufacturing reserves the right to change specifications of design at any time without obligation to modify previous products.**

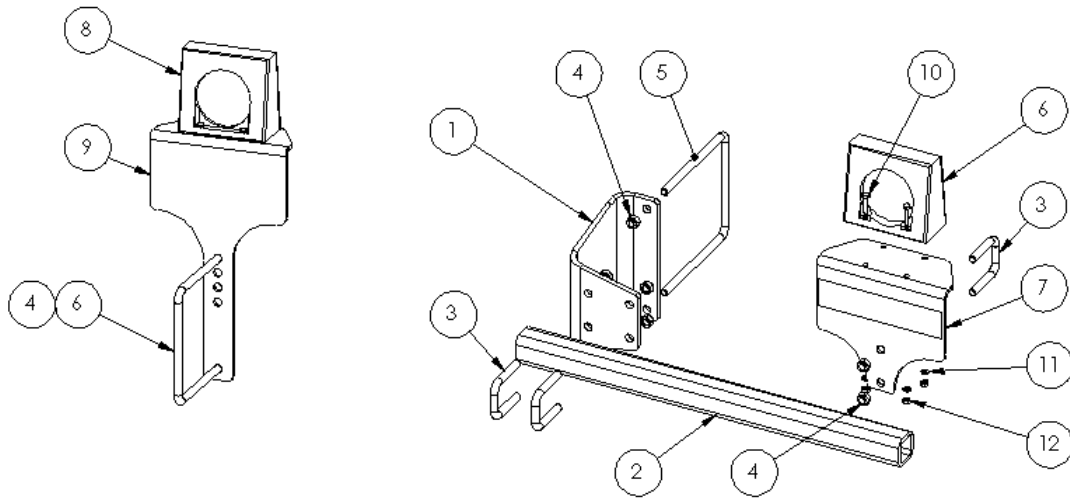
## SPIRAL REEL PARTS DIAGRAM



Key	Part No.	Description	Notes/Revisions
1	13825	MOUNT, REEL, CRIMPER, 51"	
2	RD-4864	SPINDLE, GRASS GUARD	
3	14850	DURA-CRIMPER END PLATE LH	
4	RD-4859	DUST CAP	
5	RD-4862	NUT, FLANGE, 1-14	
6	RD-4857	BEARING	
7	RD-4856	SEAL COUNTERFACE	
8	RD-4863	PIN, ROLL, 1/4X1.5	
9	NL-5020	NUT, LOCK, CENTER, 1/2-20	
10	14850	DURA-CRIMPER END PLATE LH	
11	RD-5002	BRACKET, SPIRAL BLADE, OPEN	
12	SPR-5051	SPIRAL REEL BLADE 51	
13	BHP-6323	BOLT, HEX, 5/8-11X2.25, GD5, PLAIN	
14	NLT-6311	NUT, LOCK, TOP, 5/8-11	
15	RD-5055	BOLT, HEX, 1/2-13x3.25, GD8, SPL	
16	NLT-5013	NUT, LOCK, TOP, 1/2-13	
17	13827	GUARD, REEL HUB	
18	14648	BOLT, CARRIAGE, 3/8-16X1.25, GD5	
19	NLT-3816	NUT, LOCK, TOP, 3/8-16	
20	14851	DURA-CRIMPER END PLATE RH	

**McFarlane Manufacturing reserves the right to change specifications of design at any time without obligation to modify previous products.**

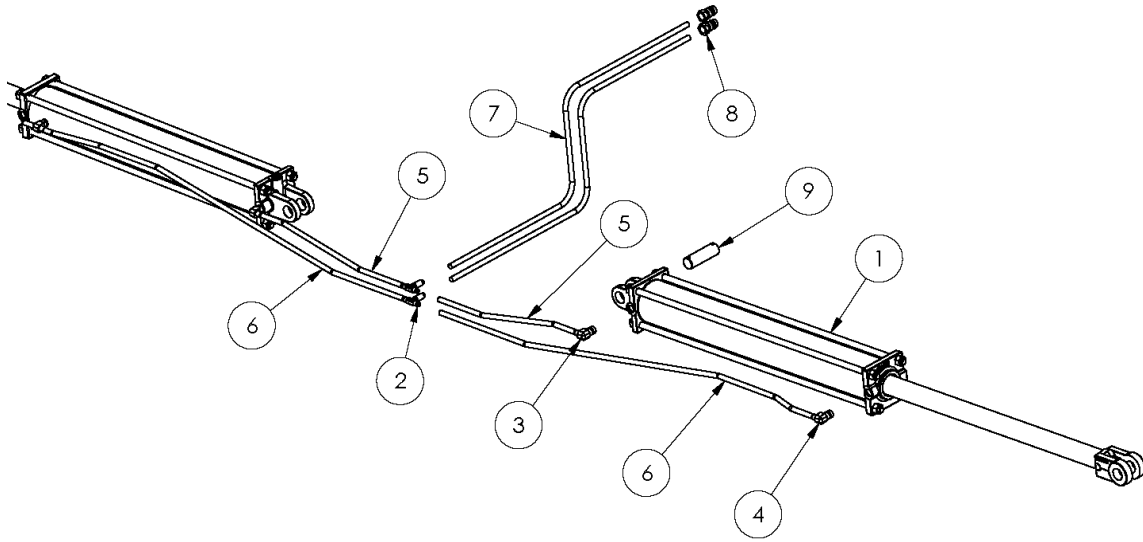
## LIGHTING COMPONENTS PARTS DIAGRAM



Key	Part No.	Description
1	15347	BRACKET, TUBE MOUNT
2	15348	TUBE, SQUARE
3	BU-1223	U-BOLT, 1/2X2X3
4	NLT-5013	NUT, LOCK, TOP, 1/2-13
5	BU-1278	U-BOLT, 1/2 x 7 x 8 1/4
6	16211	LIGHT, LED, AMBER-AMBER
7	15345	BRACKET, LIGHT, SINGLE
8	16212	LIGHT, LED, RED
9	RD-5056	BRACKET, LIGHT, SINGLE
10	BH-2513	BOLT, HEX, 1/4-20X1.25, GD5
11	LW-0025	WASHER, LOCK, 1/4, GD2
12	NH-2520	NUT, HEX, 1/4-20, GD5
*	16214	LIGHT HARNESS, 4 PIN TO 3/2 PIN, 13'
*	16213	LIGHT HARNESS, 7 PIN TO 4 PIN, 20'
*	16210	LIGHT ENHANCER MODULE

**McFarlane Manufacturing reserves the right to change specifications of design at any time without obligation to modify previous products.**

### 3-POINT FOLDING ROLLER CRIMPER HYDRAULICS PARTS LIST and DIAGRAM

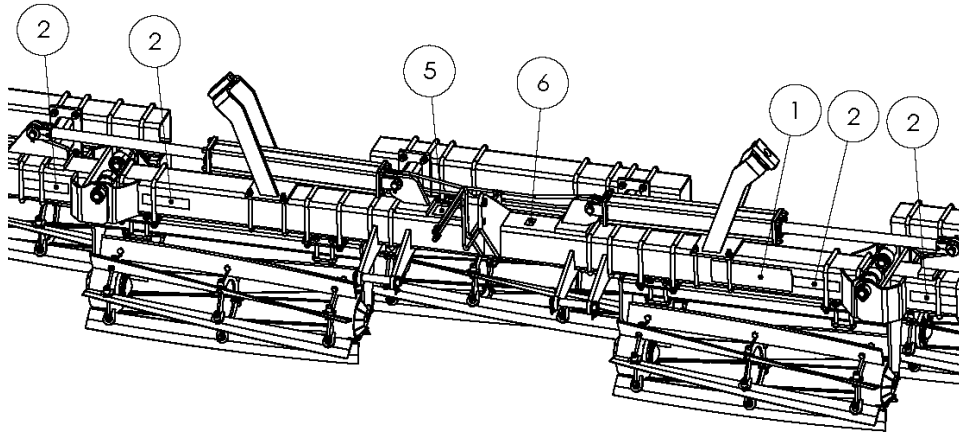


Key	Part No.	Description	Qty
1	HYC-4030	4" x 30" HYDRAULIC CYLINDER	2
2	HYF-1888	HYD TEE (9/16"M – 9/16"M – 9/16"M)	2
3	HYF-2820	HYD ELBOW (9/16"M – 3/4"Morb)	2
4	HYF-2821	HYD ELBOW (9/16"M – 3/4"Morb), RST	2
5	HYH-8024	HYD HOSE, 3/8(9/16F), 24	2
6	HYH-8057	HYD HOSE, 3/8(9/16F), 57	2
7	16635	HYD HOSE, 3/8(9/16F-3/4Morb), 60	2
8	15641	HYD DISCONNECT, MALE, 3/4ORB	2
9	HYO-2123	PIN, CYLINDER CLEVIS, 1-1/4X4	4

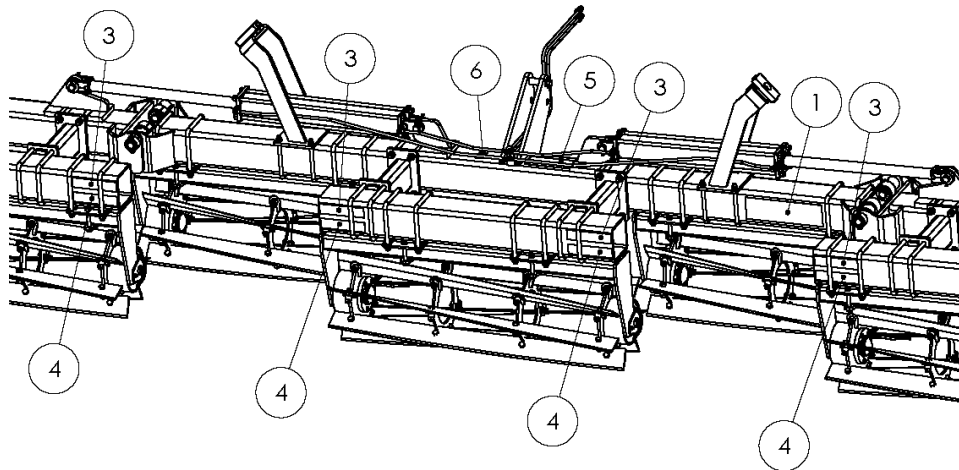
**Note:** When ordering cylinder replacement parts, please specify cylinder make & part number.

## ROLLER CRIMPER DECAL IDENTIFICATION AND LOCATION

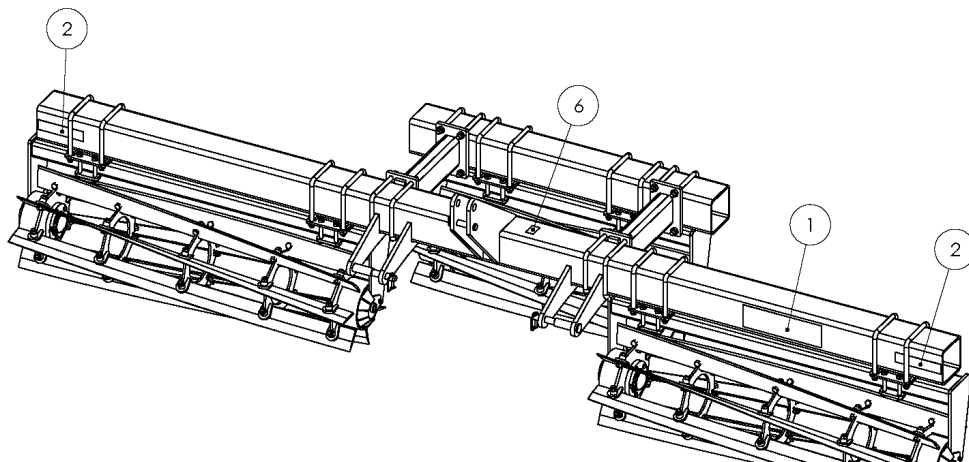
*Decal locations shown are for units mounted to the rear of the tractor.  
If this is to be front mounted, swap decal 2 and decals 3 and 4 locations.*



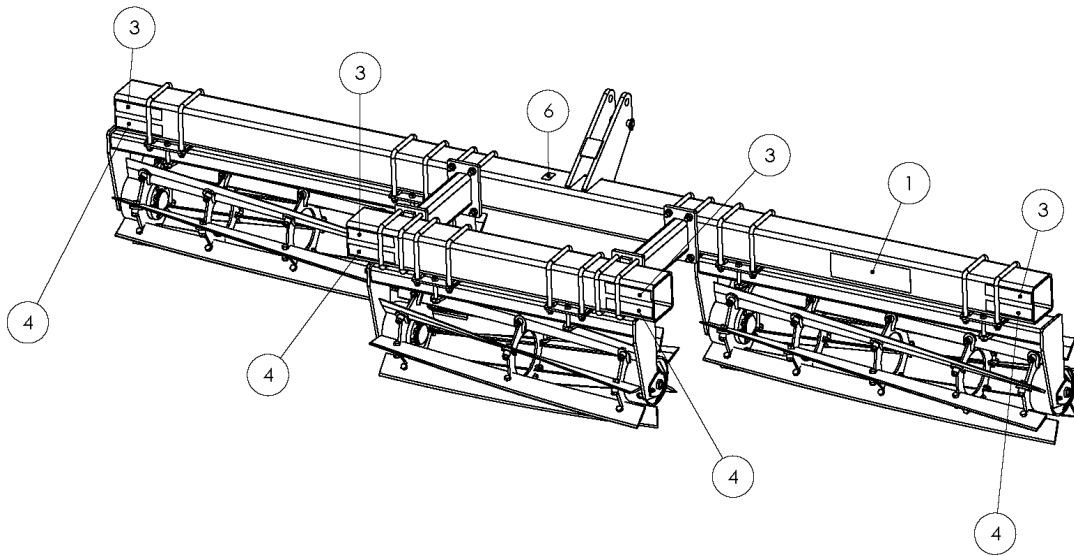
Folding models, front view



Folding models, rear view



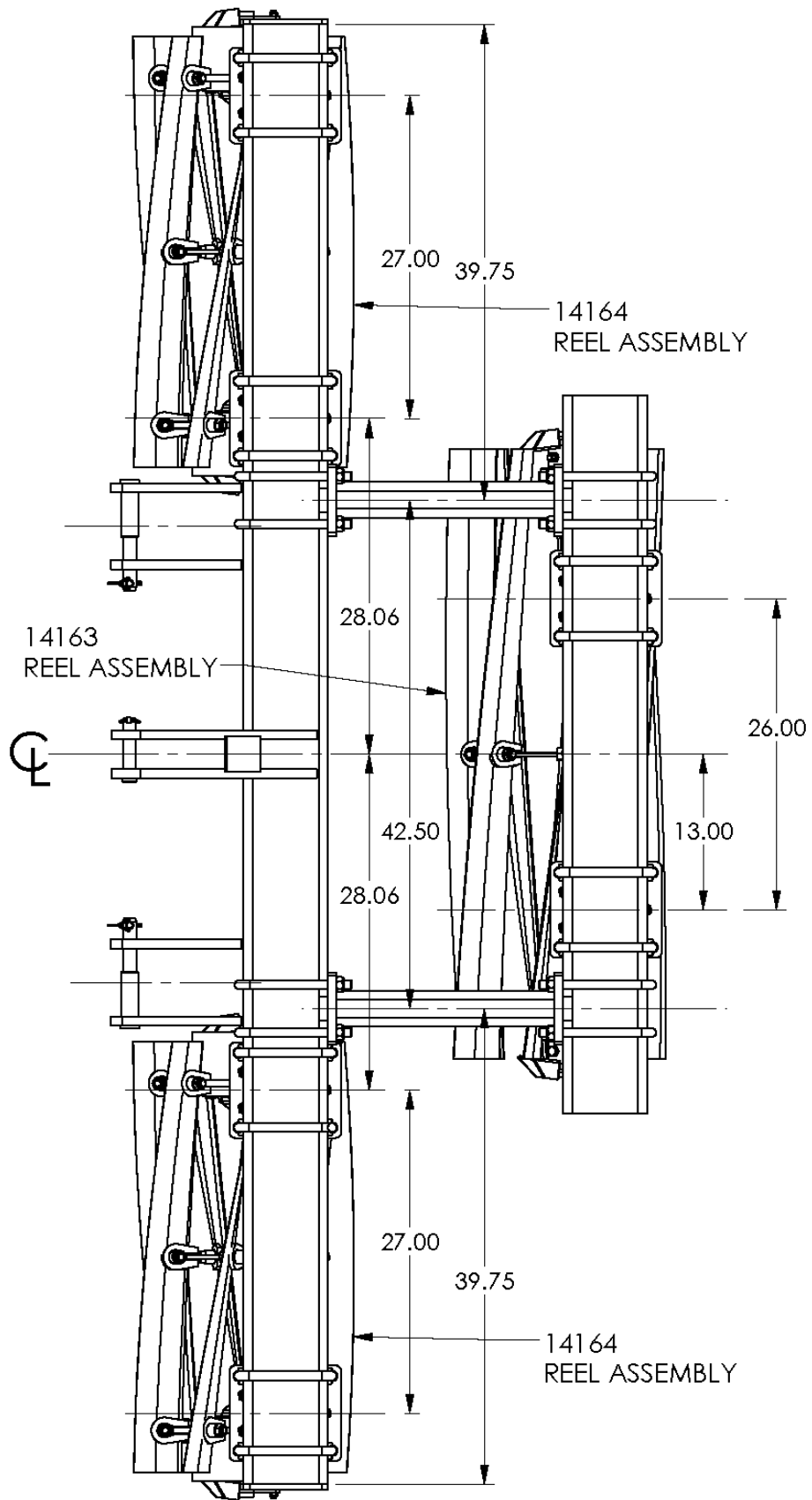
Rigid models, front view



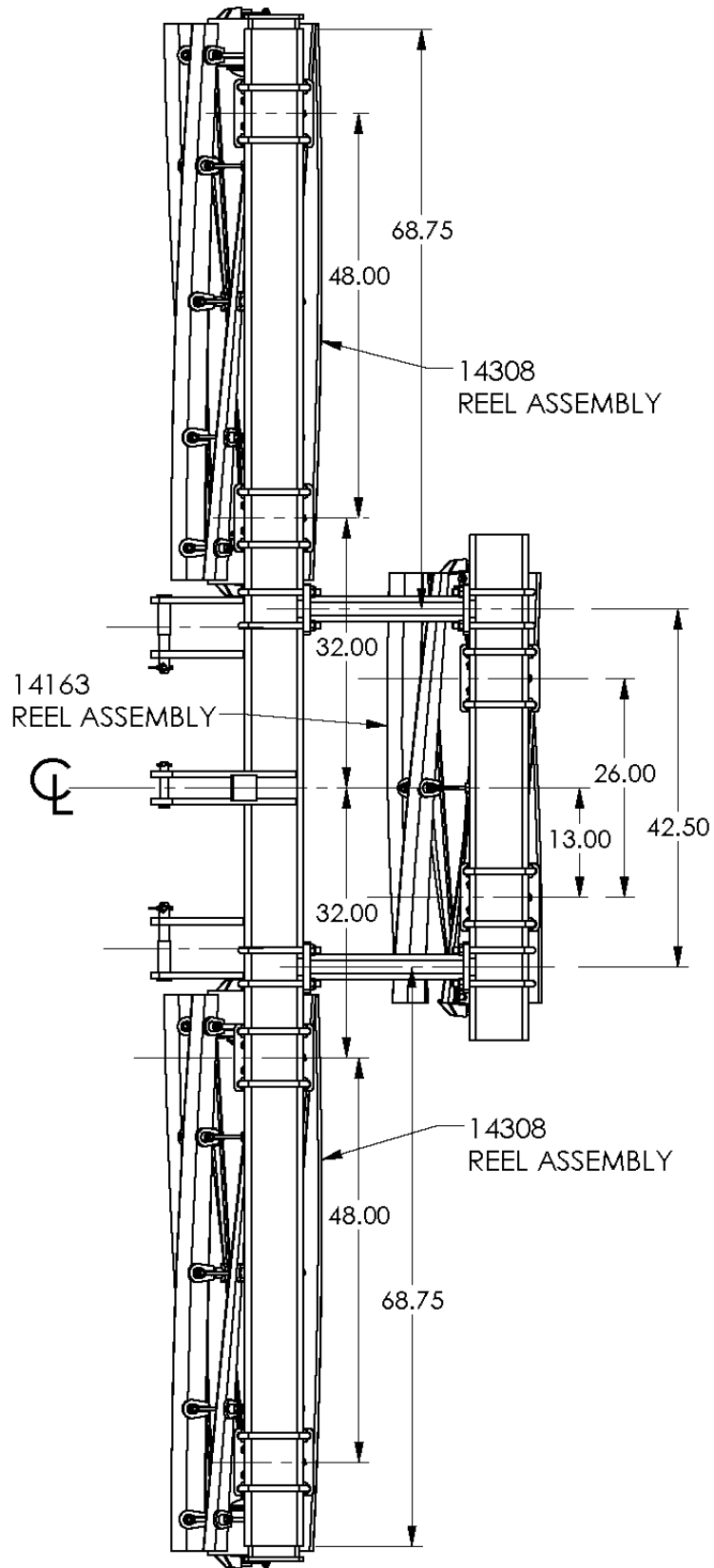
Rigid models, rear view

Key	Part No.	Description
1	DC-282	DECAL, McFARLANE, RT - 4.5"
2	DC-304	DECAL, AMBER RETROREFLECTIVE
3	DC-305	DECAL, RED - ORANGE, FLOURECENT
4	DC-303	DECAL, RED, RETROREFLECTIVE
5	DC-230	DECAL, CAUTION, WARNING
6	11170	DECAL, FEMA

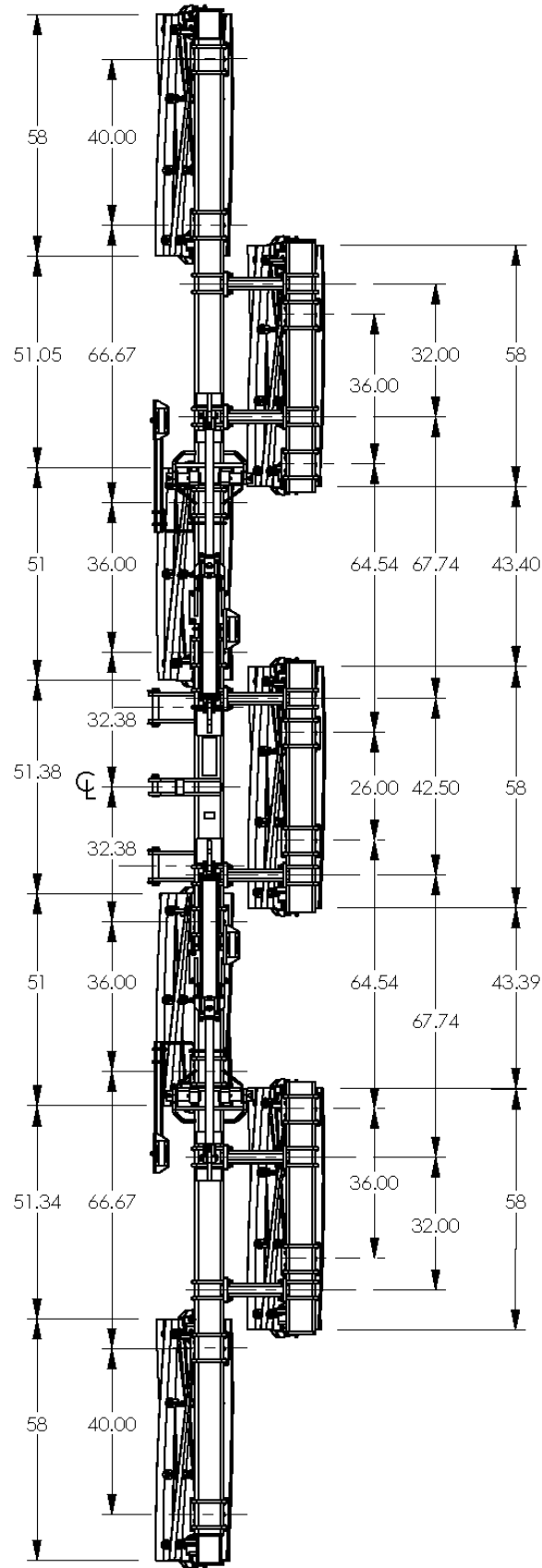
# 4R30-DC RIGID ROLLER CRIMPER LAYOUT



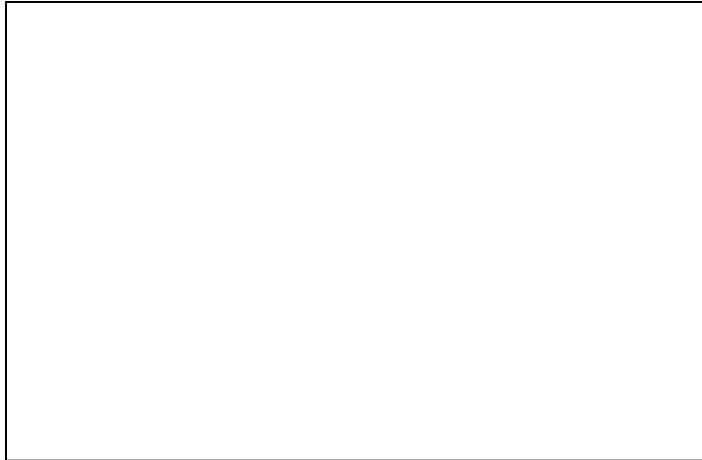
# 6R30-DC RIGID ROLLER CRIMPER LAYOUT



# 12R30-DC FOLDING ROLLER CRIMPER LAYOUT



## Contact Information



McFARLANE MANUFACTURING CO. INC.  
1330 DALLAS STREET, P.O. BOX 100  
SAUK CITY, WISCONSIN 53583  
PHONE: (608) 643-3322  
TOLL FREE: (800) 627-8569  
FAX: (608) 643-3976  
WEB: [www.mcfarlanemfg.com](http://www.mcfarlanemfg.com)