



kirei

TESSELLATE CLOUD LIT

Acoustic Ceiling Solution
with Lighting by RESOLUTE

Make a bold architectural statement overhead with the Tessellate Cloud, available with lighting or without. Its faceted triangular planes create a strong dimensional form that captures excess sound while anchoring the ceiling design. Install individually above tables, repeat across larger ceilings, or suspend in clustered groupings.

Products shown: Tessellate Cloud Lit - 3:1 in Mint and Tessellate Cloud in Frost

Specs

Style	Standard (diameter)	Height	Weight	SF/Unit
Tessellate Cloud Lit - Purity	33.25"	10.6"	9.5 lbs	4.99 SF
Tessellate Cloud Lit - 3:1	33.25"	10.6"	13 lbs	4.99 SF

All specs refer to singular products and not multiples unless specified. Due to the nature of the material, cutting and fabrication process, minor dimensional variances may occur.

Designer Kirei/Michael DiTullo x RESOLUTE

Material 100% PET (60% post-consumer recycled content)

Fire Rating ASTM E84 Class A

Custom Options Available upon request


Lead Time Please refer to kireiusa.com for updated lead times.

VOC Emissions CDPH (CA 01350) Compliant
TVOC: <0.5 mg/m3

*Actual lead times are determined when the project goes into production and can change based on production schedule and all quantities, color and thicknesses being in stock at time of order. See [Kirei's Product Lead Time Disclosure](#) for more information.



Lighting Features - Purity

Lighting Applications		Purity works with Tessellate Cloud for direct lighting applications only and mounts to Kirei clouds using provided hardware.
Base	E26 (medium)	
Wattage	15W LED or 60W incandescent max (lamp not included)	
Voltage	120V	
Mount	Canopy Ø4.5", Ø5" face plate, featuring integrated cables for direct mount to Kirei Clouds.	
Connection	Black cord, 8' max overall drop	
UL Rating	UL Listed. Suitable for Dry and Damp locations	
Finish	Matte Silver powder coat	

Custom finishes and colors available upon request.

Lighting Features - 3:1

Lighting Applications



DIRECT & INDIRECT

3:1 works with Tessellate cloud for Direct & Indirect lighting applications and mounts to Kirei clouds using provided hardware.

Color Temperature

3000K

CRI

90+

Wattage

34W

Lumen output

Uplight: 1084 source lumens
Downlight: 3251 source lumens

Mount

Canopy Ø4.5", Ø5" face plate, featuring integrated cables for direct mount to Kirei Clouds.

Connection

White cord

UL Rating

UL Listed. Suitable for Dry and Damp locations

Finish

Opal white high impact copolymer diffusers

Driver

Integrated Driver

Dimming Compatibility

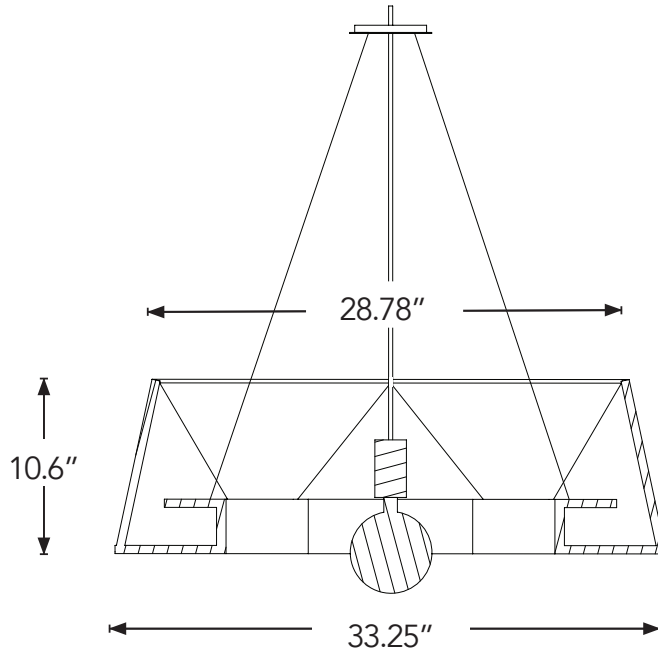
0-10V; Lutron and Triac/ELV available by request

Custom Lumen output, color temperature, and finish available upon request.

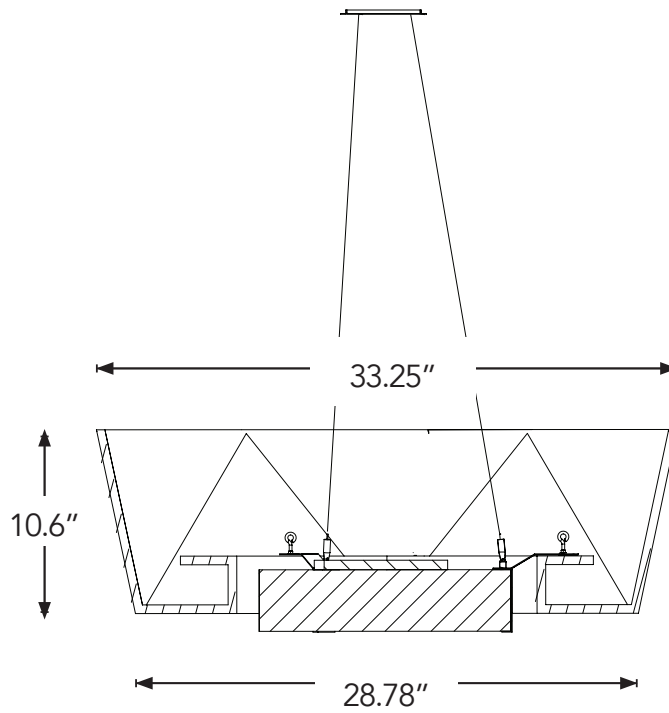
RESOLUTE 3:1 attaches to Tessellate Cloud with brackets, offering both high and low positions. An integrated tri-cable canopy allows both cloud and fixture to hang from a singular source, ensuring seamless installation.

Product Dimensions

Tessellate Cloud Lit - Purity



Tessellate Cloud Lit -3:1



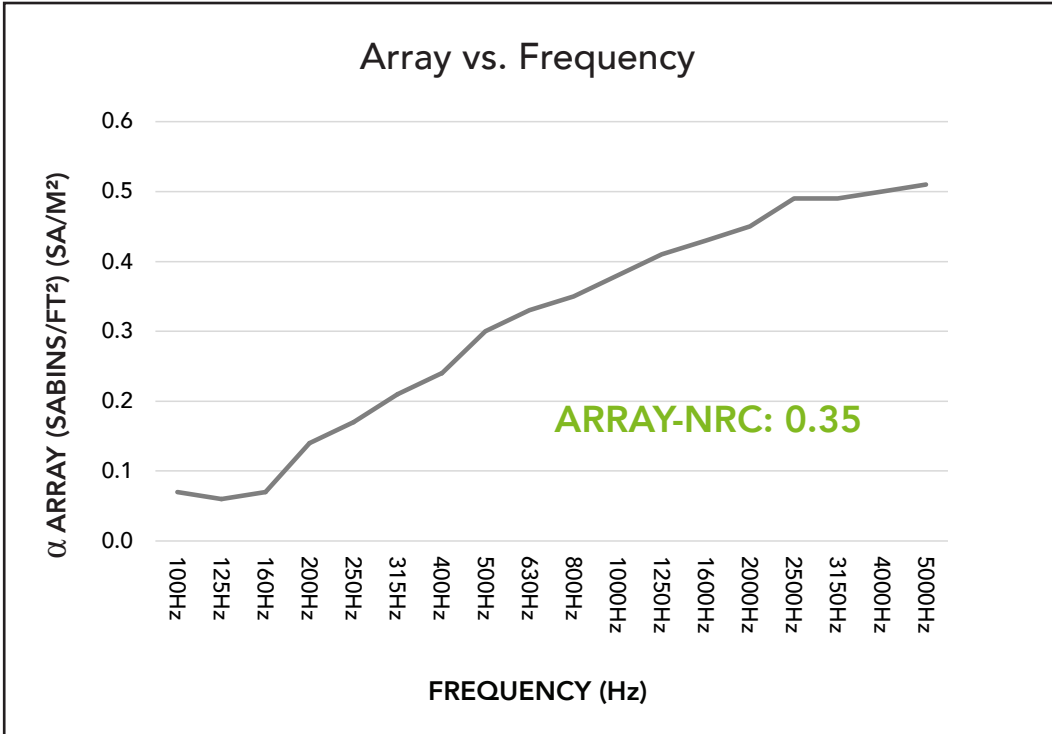
Acoustic Data - Tessellate Cloud Lit

Sound Absorption

Frequency	125Hz	250Hz	500Hz	1000Hz	2000Hz	4000Hz	Array-NRC	Array-SAA
α array (Sabins/ft ²) (SA/m ²)	0.06	0.17	0.30	0.38	0.45	0.50	0.35	0.33

Sabins per Array

Frequency	125Hz	250Hz	500Hz	1000Hz	2000Hz	4000Hz
Sabins	7.85	22.33	39.36	50.91	60.52	66.66



Acoustic data is measured in Array-NRC per Tessellate Cloud Lit at four units, two rows of two units each, rows spaced 36" apart, units in each row spaced 36" apart. For more information, see the [full acoustic test](#).

Available Colors



Color variation between dye lots is a natural characteristic of recycled PET felt due to the manufacturing process. Slight differences between samples and finished product may occur.

Installation

Tessellate Cloud Lit may be hung from a variety of ceiling types using cable suspension. Each cloud has three attachment points with pre-drilled holes in the cloud for 1/4"-20 male threaded screws or eyebolts. Fasten the hardware of your choice into the pre-drilled holes. Securely mount the appropriate ceiling hardware, attach cable to ceiling hardware, and then attach cable to hardware on baffle(s). For more information, see the [Tessellate Cloud Lit Installation Guide](#).

Note: Kirei does not provide ceiling mounting hardware or cable/chain/rod.



Eyebolt Hardware

Custom Printing with Kirei Ink

Tessellate Cloud Lit can be custom printed in house with Kirei Ink. Deliver endless customization possibilities from the natural beauty of botanicals to subtle or striking stonework. Pick from more than 50 prints over Kirei Ink's four collections or print your own custom color, pattern, graphic or material. We would love to work with you. Reach out and our team will be ready to assist!

Please note: Kirei requires written permission from the copyright holder in order to reproduce any copyrighted work. Professional photographs cannot be reproduced without written permission from the photographer. Keep in mind printing is not on the edges of the fully assembled product.



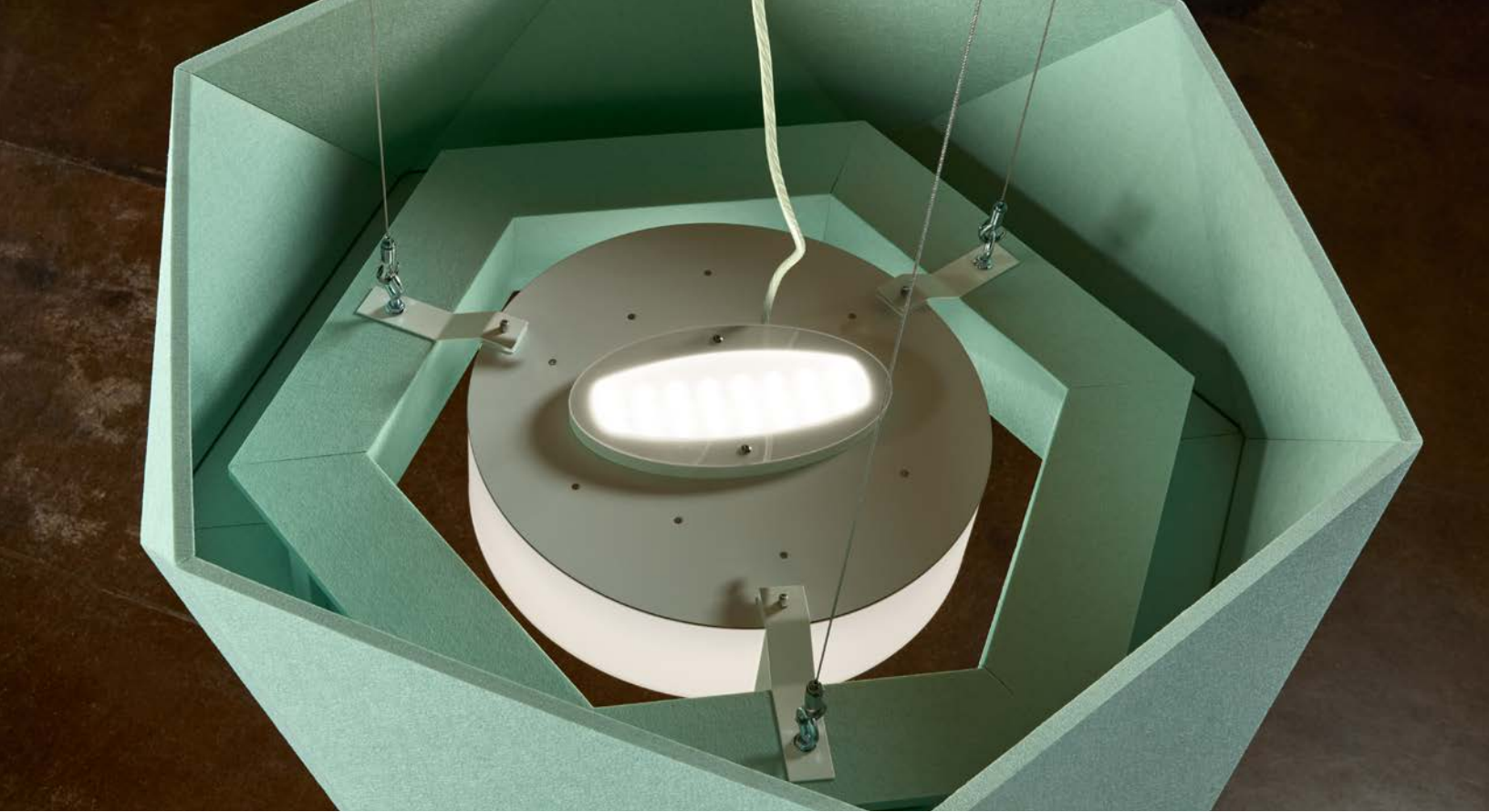
Product shown: Tessellate Clouds in Navy and Vanilla with Kirei Ink (Pine)



Product shown: Tessellate Cloud Lit - 3:1 in Blush and Mint



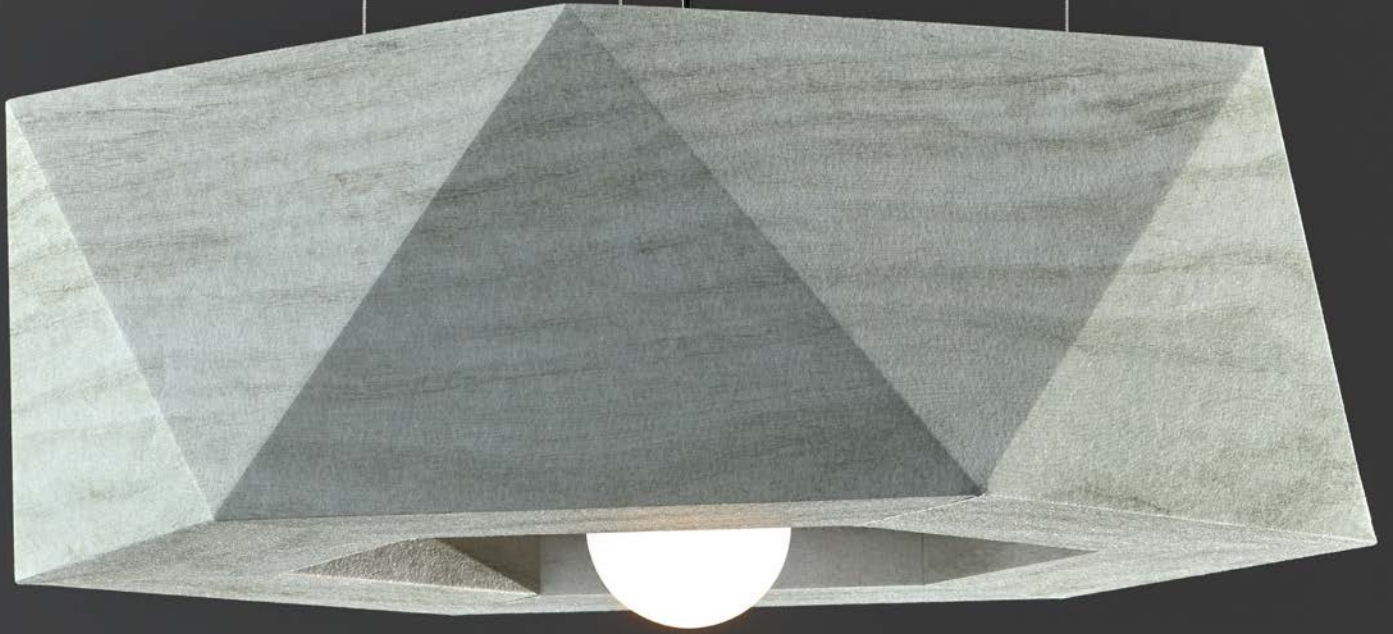
Product shown: Tessellate Pendant Lit in Frost and Jade, Tessellate Pendant Cloud Lit in Mint



Product shown: Tessellate Cloud Lit - 3:1 in Mint



Product shown: Tessellate Cloud Lit - Purity in Frost with Kirei Ink (White Wash)



Product shown: Tessellate Cloud Lit - Purity in Frost with Kirei Ink (White Wash)

kirei

Learn more and request your free sample:

619.236.9924 | sales@kireiusa.com

kireiusa.com