



kirei

TESSELLATE BAFFLES

Acoustic Baffles

Run circles around soundwaves with this innovative new cylindrical baffle composed of triangular planes. While acoustic baffles have often been an afterthought, the Tessellate Baffle turns them into a key design element and focal point with its patent pending design and creative cutting techniques. The Tessellate Baffle comes standard in 42", 50", 75", 97" lengths and is available in more than 30 colorways.

Product shown: Tessellate Baffles in Orchid



Specs

Style	Standard (LxH)	Width	Weight	LF/Unit
42" Baffle	42" x 7.5"	7.09"	4 lbs	3.5
50" Baffle	50.34" x 7.5"	7.09"	4 lbs	4.2
75" Baffle	75" x 7.5"	7.09"	6 lbs	6.25
97" Baffle	96.5" x 7.5"	7.09"	8 lbs	8.04

All specs refer to singular products and not multiples unless specified. Due to the nature of the material, cutting and fabrication process, minor dimensional variances may occur. Baffle lengths can be adjusted up or down in increments of 4.18". The minimum length for a custom sized baffle is 17.72". For longer length rows, baffles can be installed side by side. The lengths will vary slightly due to the complex folded nature of the product and could vary .5"-1.5".

Designer	Kirei
Material Thickness	12mm
Material	100% PET (60% post-consumer recycled content)
Fire Rating	ASTM E84 Class A
Custom Options	Available upon request
Lead Time	Please refer to kireiusa.com for updated lead times.
VOC Emissions	CDPH (CA 01350) Compliant TVOC: <0.5 mg/m3

*Actual lead times are determined when the project goes into production and can change based on production schedule and all quantities, color and thicknesses being in stock at time of order. See [Kirei's Product Lead Time Disclosure](#) for more information.



Acoustic Data

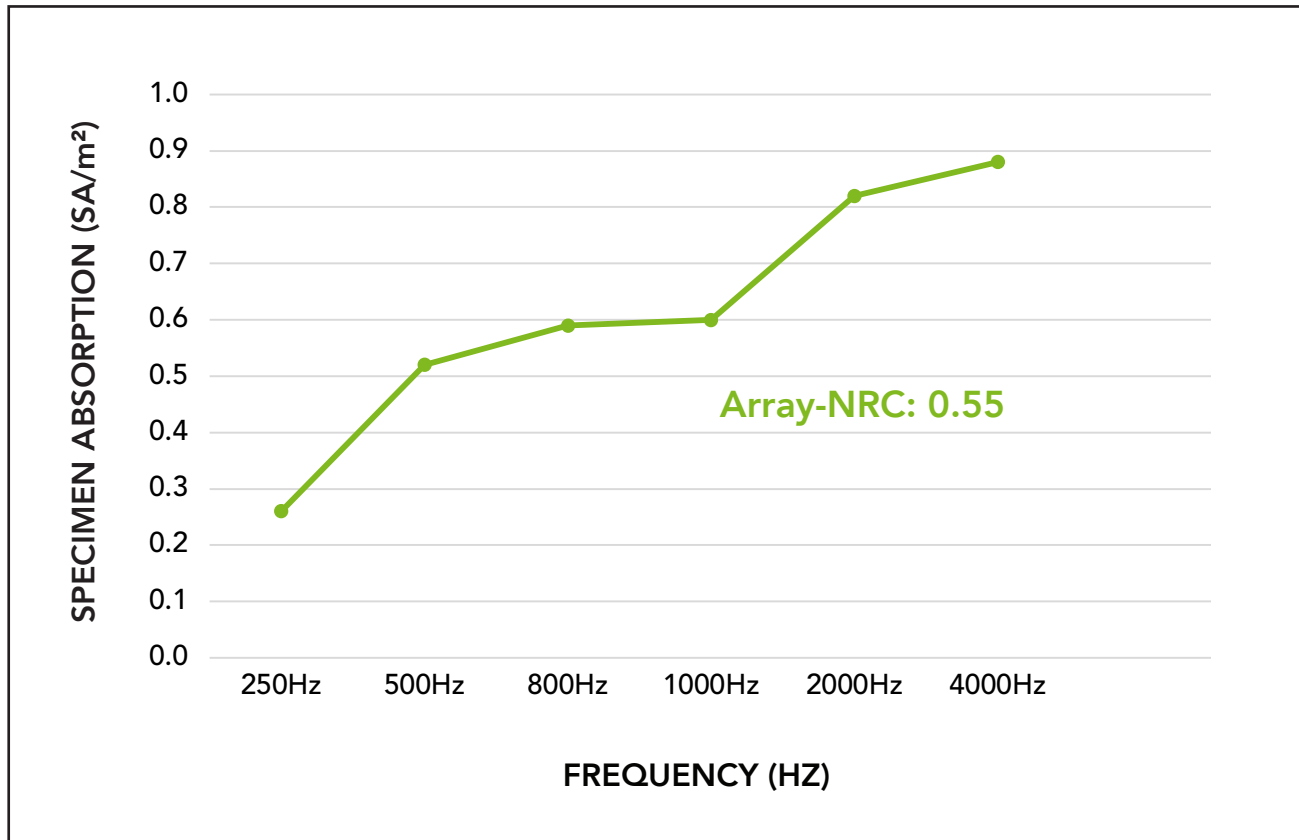
Sound Absorption

Frequency	125Hz	250Hz	500Hz	1000Hz	2000Hz	4000Hz	Array-NRC	Array-SAA
α array (Sabins/ft ²) (SA/m ²)	0.12	0.26	0.52	0.60	0.82	0.88	0.55	0.55

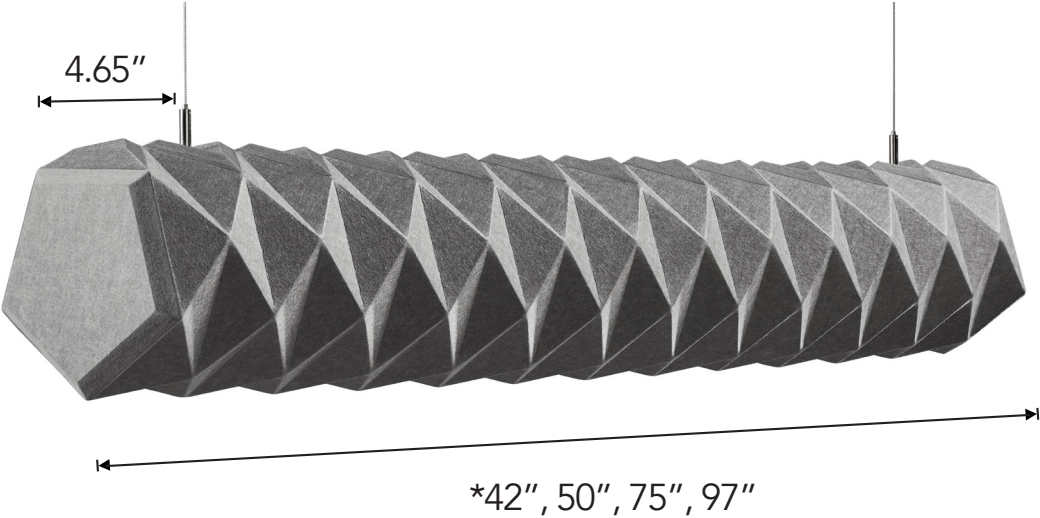
Acoustic data is measured in Sabins per Tessellate Baffle at 2ft spacing.

Sabins per Array

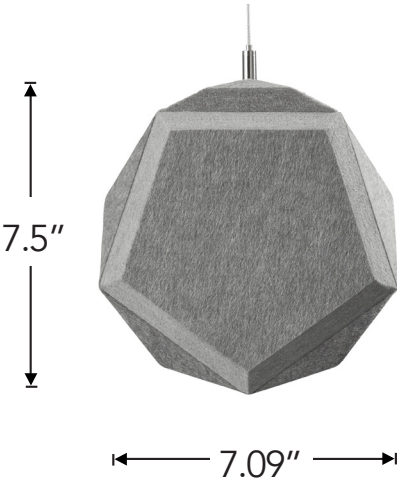
Frequency	125Hz	250Hz	500Hz	1000Hz	2000Hz	4000Hz
Sabins	14.65	32.24	65.32	75.96	103.07	111.24



Product Dimensions



Front View



Side View

**Note: 75" Tessellate Baffles come with 3 hanging points and 97" Tessellate Baffles come with 4 hanging points.*

Available Colors



Color variation between dye lots is a natural characteristic of recycled PET felt due to the manufacturing process. Slight differences between samples and finished product may occur.

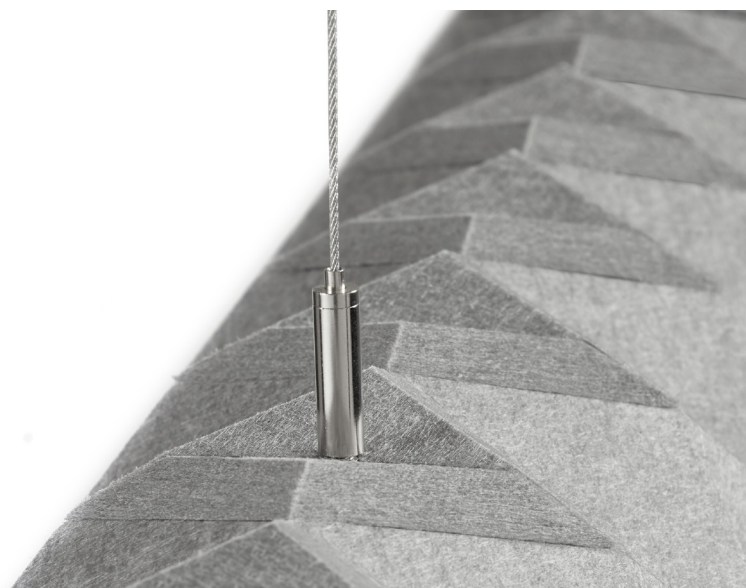
Installation

Tessellate Baffles are shipped ready to install. Each baffle has two-four attachment points (depending on style) with preset screws. To install Tessellate Baffles, attach ceiling mounting hardware and suspension cable/chain/rod/etc. with the appropriate connector - the supplied Griplock cable gripper or a different connector of your choice - at the bottom end. Once the ceiling hardware is installed, attach the connector to the supplied attachment hardware on the Tessellate Baffle and level the baffle. For instructions on how to install baffles in a variety of ways, see the [Tessellate Baffles Installation Guide](#).

Note: Kirei does not provide ceiling mounting hardware or cable/chain/rod.



Cable Gripper Hardware



Cable Gripper Hardware

Custom Printing with Kirei Ink

Tessellate Baffles can be custom printed in house with Kirei Ink. Deliver endless customization possibilities from the natural beauty of botanicals to subtle or striking stonework. Pick from more than 50 prints over Kirei Ink's four collections or print your own custom color, pattern, graphic or material. We would love to work with you. Reach out and our team will be ready to assist!

Please note: Kirei requires written permission from the copyright holder in order to reproduce any copyrighted work. Professional photographs cannot be reproduced without written permission from the photographer. Keep in mind printing is not on the edges of the fully assembled product.



Product shown: Diamond Tile, Racetrack Path Tile, and Barcode Tile in Kirei Ink (Travertine)



Product shown: Tessellate Baffles in Smoke and Kirei Ink (Pine)



Product shown: Tessellate Baffles in Pebble



Product shown: Tessellate Baffles in Orchid

kirei

Learn more and request your free sample:

619.236.9924 | sales@kireiusa.com

kireiusa.com