



kirei

SYNC TILES

Acoustic Tiles

Get ready to sync up with Sync Tiles. You'll find just the right look and sound for any space with Sync's 7 modular acoustic tiles in more than 30 rich and versatile colorways. Sync gives you the freedom to design a near endless array of patterns, all with a simple spec you can feel good about from the first sketch through installation. Whether you want to build out a feature wall or create unity across rooms, Sync delivers trusted acoustic absorption with every unique design.

Product shown: Sync Tiles in Blush

Specs

Style	Standard (LxH)	Thickness	Weight	SF/Tile
11.5 x 11.5 Tile	11.5" x 11.5"	0.47" 0.94"	0.25 lbs 0.5 lbs	0.92
11.5 x 23 Tile	11.5" x 23"	0.47" 0.94"	0.5 lbs 1.0 lbs	1.84
11.5 x 46 Tile	11.5" x 46"	0.47" 0.94"	1 lbs 2 lbs	3.67
23 x 23 Tile	23" x 23"	0.47" 0.94"	1 lbs 2 lbs	3.67
23 x 46 Tile	23" x 46"	0.47" 0.94"	2 lbs 4 lbs	7.35
46 x 46 Tile	46" x 46"	0.47" 0.94"	4 lbs 8 lbs	14.69
46 x 92 Tile	46" x 92"	0.47" 0.94"	8 lbs 16 lbs	29.39

All specs refer to singular products and not multiples unless specified. Custom options available upon request. Due to the nature of the material, cutting and fabrication process, minor dimensional variances may occur.

Specs

Designer	Kirei
Material	100% PET (60% post-consumer recycled)
Fire Rating	ASTM E84 Class A
Custom Options	Available upon request
Lead Time	Please refer to kireiusa.com for updated lead times.
VOC Emissions	CDPH (CA 01350) Compliant TVOC: <0.5 mg/m3

*Actual lead times are determined when the project goes into production and can change based on production schedule and all quantities, color and thicknesses being in stock at time of order. See [Kirei's Product Lead Time Disclosure](#) for more information.



Declare.

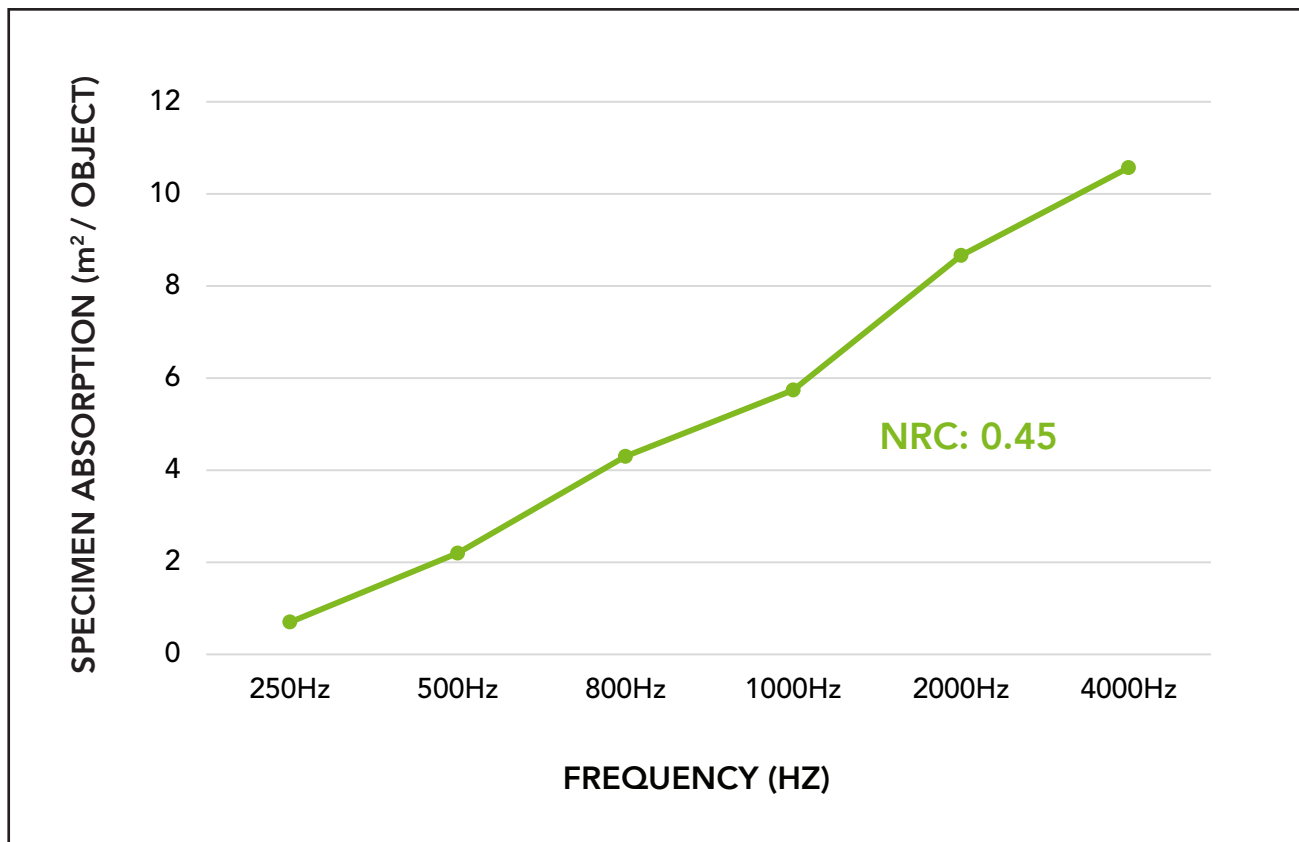


Acoustic Data

Sound Absorption for 12mm

Frequency	250Hz	500Hz	800Hz	1000Hz	2000Hz	4000Hz	NRC
m ² /Object	0.70	2.20	4.30	5.74	8.66	10.57	0.45 (no air gap)
m ² /Object (20mm air gap)	1.51	4.33	7.35	8.56	9.97	9.97	0.60 (20mm air gap)
m ² /Object (50mm air gap)	3.32	7.35	9.87	10.07	9.67	10.07	0.75 (50mm air gap)
m ² /Object (1" fiberglass)	4.33	6.78	6.66	6.58	6.47	7.10	0.90 (1" fiberglass)
m ² /Object (2" fiberglass)	6.56	7.35	7.03	6.49	6.60	6.80	1.00 (2" fiberglass)

Acoustic data is measured in Sabins per 12mm PET.

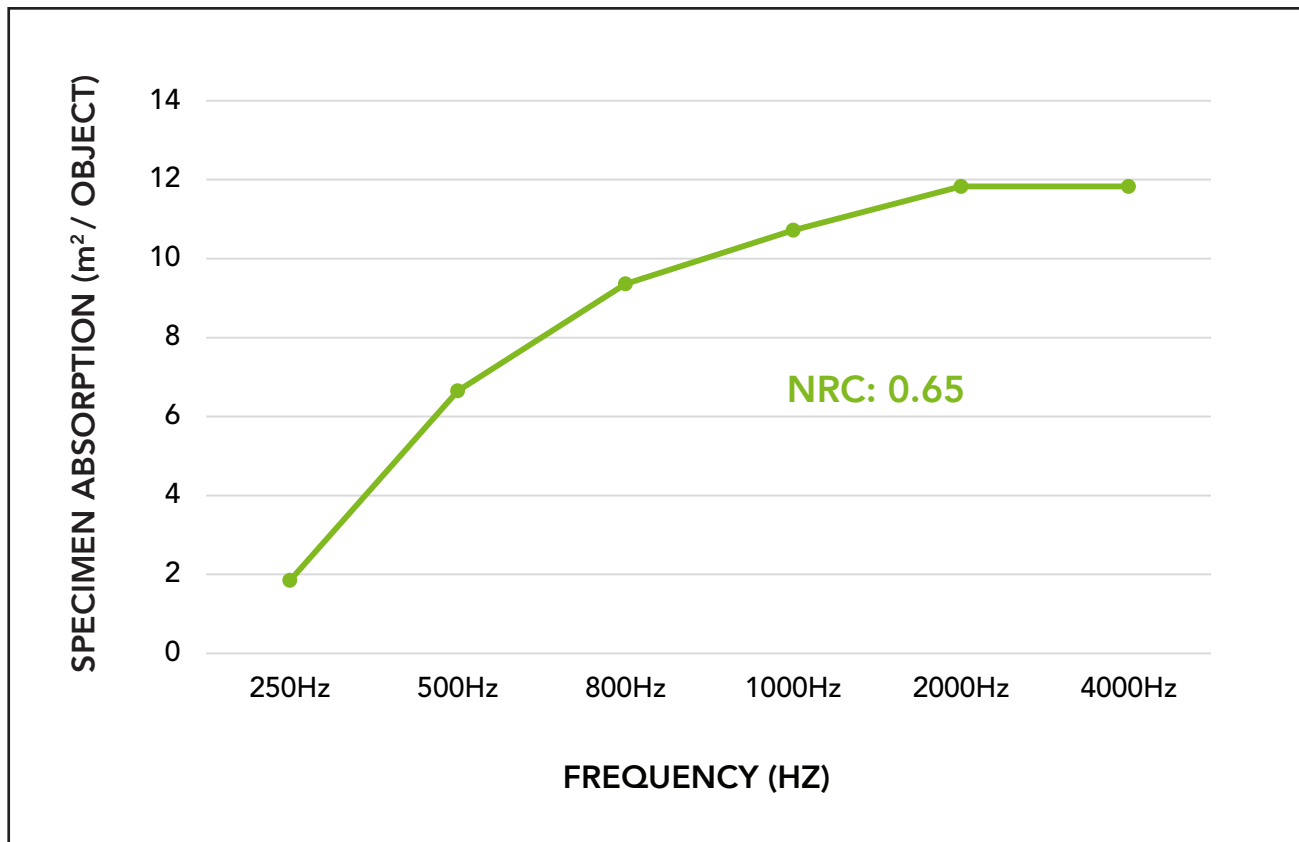


Acoustic Data

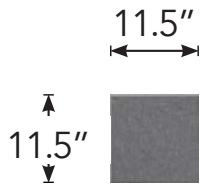
Sound Absorption for 24mm

Frequency	250Hz	500Hz	800Hz	1000Hz	2000Hz	4000Hz	NRC
m ² /Object	1.85	6.65	9.36	10.72	11.83	11.83	0.65 (no air gap)
m ² /Object (20mm air gap)	2.59	8.13	11.33	12.57	12.57	12.20	0.75 (20mm air gap)
m ² /Object (50mm air gap)	4.93	10.96	13.18	13.06	11.70	11.95	0.85 (50mm air gap)
m ² /Object (2" fiberglass)	6.97	7.77	7.35	6.97	6.88	7.01	1.05 (2" fiberglass)

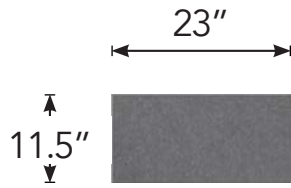
Acoustic data is measured in Sabins per 24mm PET.



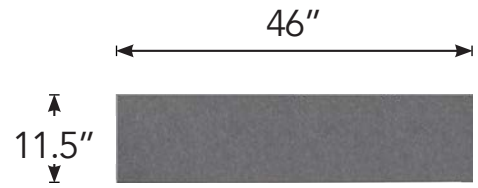
Product Dimensions



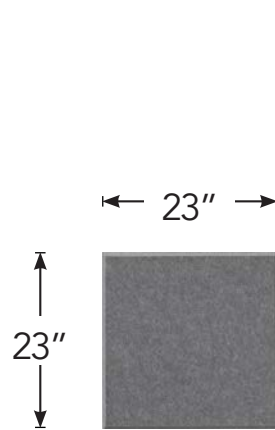
11.5 x 11.5



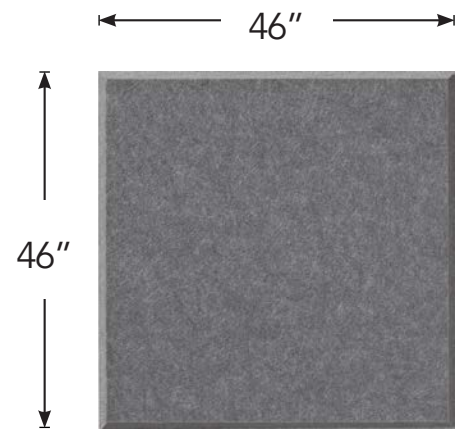
11.5 x 23



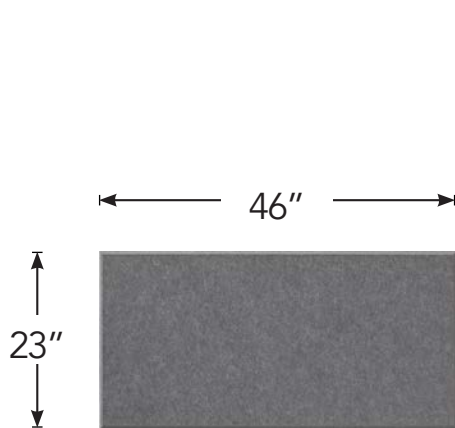
11.5 x 46



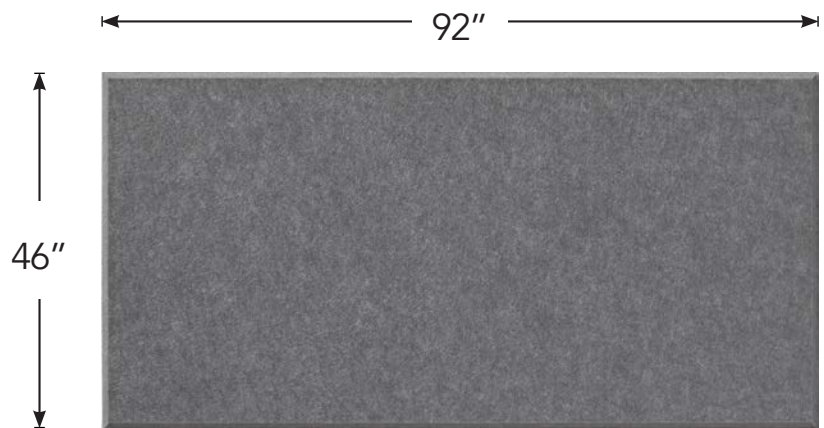
23 x 23



46 x 46



23 x 46



46 x 92

Available Colors

						
Cayenne 029 12mm	Wine 009 12mm 24mm	Rouge 007 12mm	Crimson 059 12mm	Mandarin 013 12mm	Cinnamon 006 12mm 24mm	Nutmeg 047 12mm
						
Latte 055 12mm	Vanilla 028 12mm 24mm	Dusk 032 12mm	Blush 030 12mm 24mm	Ochre 004 12mm 24mm	Sunshine 003 12mm	Butter 002 12mm
						
Cappuccino 062 12mm	Sepia 063 12mm	Cream 048 12mm 24mm	White 033 12mm 24mm	Mushroom 026 12mm 24mm	Frost 001 12mm 24mm	Grey 023 12mm 24mm
						
Millennium 061 12mm	Smoke 024 12mm	Sage 042 12mm 24mm	Pebble 022 12mm 24mm	Slate 025 12mm 24mm	Black 035 12mm 24mm	Onyx 036 12mm 24mm
						
Mint 038 12mm	Duck Egg 037 12mm	Pacific 045 12mm 24mm	Lime Splice 020 12mm	Pistachio 041 12mm	Olive 021 12mm 24mm	Jade 016 12mm
						
Vineyard 017 12mm	Seaweed 056 12mm	Orchid 011 12mm 24mm	Amethyst 060 12mm	Navy 019 12mm 24mm	Coronet 046 12mm	Lapis 058 12mm
						
Ivy 015 12mm 24mm	Lavender 012 12mm					

Color variation between dye lots is a natural characteristic of recycled PET felt due to the manufacturing process. Slight differences between samples and finished product may occur.

Installation

When mounting, use standard construction adhesives (e.g. Liquid Nails/Titebond - NOT PVA glue). Clean and prepare surface per adhesive guidelines. Spread adhesive evenly on panel back, leaving 2" space at edges. Adhere to wall surface, providing bracing to hold material against surface per adhesive open time/instructions. For more information, see the [Sync Tiles Installation Guide](#).

Custom Printing with Kirei Ink

Sync Tiles can be custom printed in house with Kirei Ink. We would love to work with you to print your own custom color, pattern, graphic or material. Reach out and our team will be ready to assist!

Please note: Kirei requires written permission from the copyright holder in order to reproduce any copyrighted work. Professional photographs cannot be reproduced without written permission from the photographer.



Product shown: Sync Tiles in Navy with Kirei Ink flood printing in Pantone 5425



Product shown: Sync Tiles in Sunshine and Slate



Product shown: Sync Tiles in Navy



Product shown: Sync Tiles in Sunshine



Product shown: Sync Tiles in Slate

kirei

Learn more and request your free sample:

619.236.9924 | sales@kireiusa.com

kireiusa.com