



kirei

RIDGE TILES

Acoustic Tiles

Navigate acoustic obstacles with Ridge Tiles, the unique dual-layer wall tile that helps capture and absorb unwanted sound. Ridge Tiles come in two styles — Mini and Micro — in both 2x2 and 2x4 tile sizes and are available in a variety of colors from neutral to vibrant tones. Customization is also available for your unique design concepts.

Product shown: Ridge Tiles Micro 2x4 in Orchid

Specs

Style	Standard (LxW)	Depth	Weight/Unit	SF/Unit
Mini 2x2	23" x 23"	4.25"	5 lbs	3.7
Mini 2x4	23" x 46"	4.25"	10 lbs	7.35
Micro 2x2	23" x 23"	3.13"	5 lbs	3.7
Micro 2x4	23" x 46"	3.13"	10 lbs	7.35

All specs refer to singular products and not multiples unless specified. Due to the nature of the material, cutting and fabrication process, minor dimensional variances may occur. Custom options available upon request. Ridge Tiles are sold as an individual unit with 3-4 peaks, depending on the style, and comes with a backer. It is folded and assembled prior to shipping for simple installation.

Designer	Kirei
Material Thickness	12mm
Material	100% PET (60% post-consumer recycled content)
Fire Rating	ASTM E84 Class A
Custom Options	Available upon request
Lead Time	Please refer to kireiusa.com for updated lead times.
VOC Emissions	CDPH (CA 01350) Compliant TVOC: <0.5 mg/m3



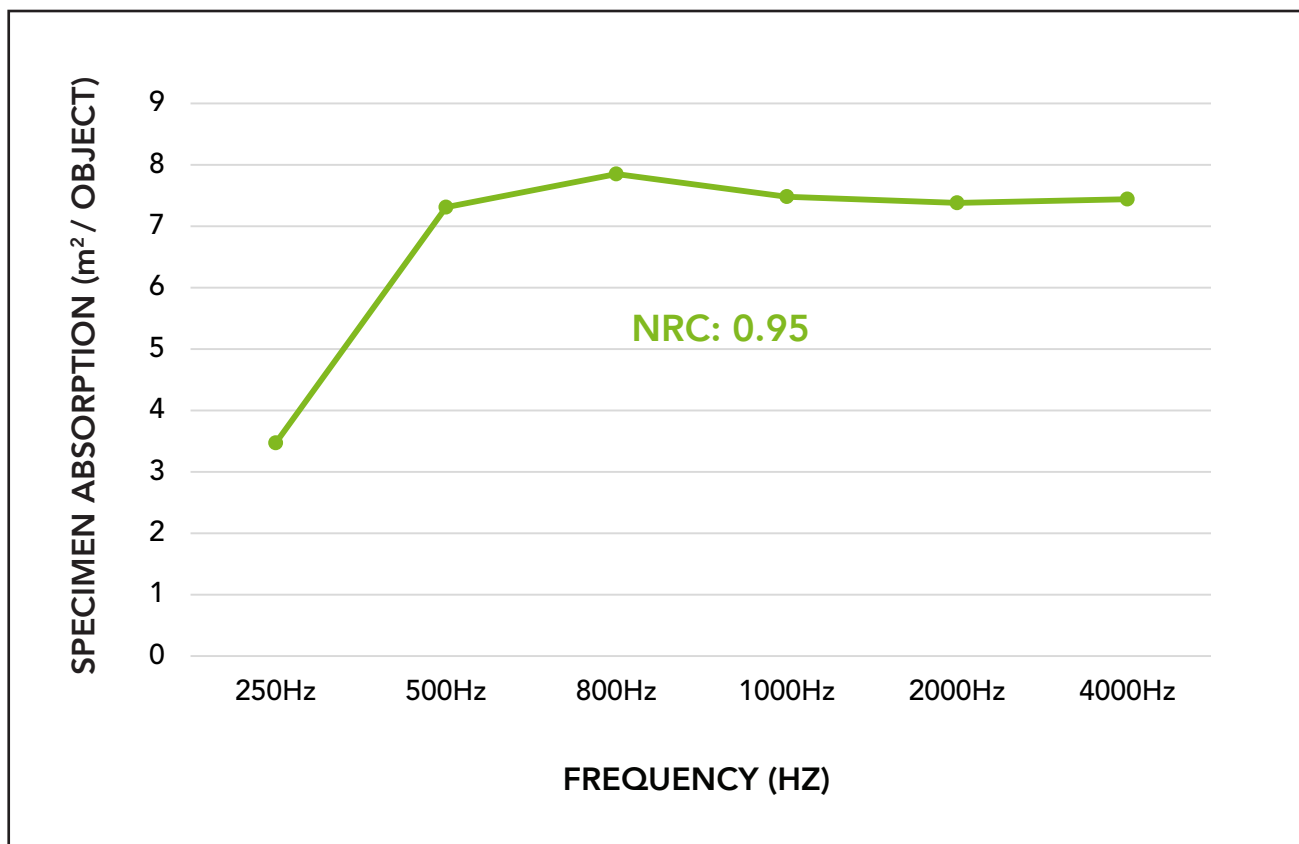
*Actual lead times are determined when the project goes into production and can change based on production schedule and all quantities, color and thicknesses being in stock at time of order. See [Kirei's Product Lead Time Disclosure](#) for more information.

Acoustic Data

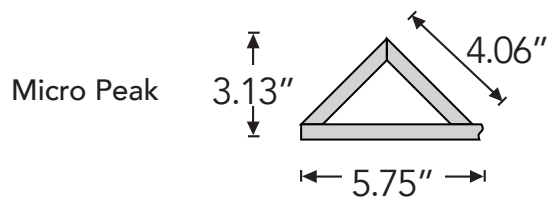
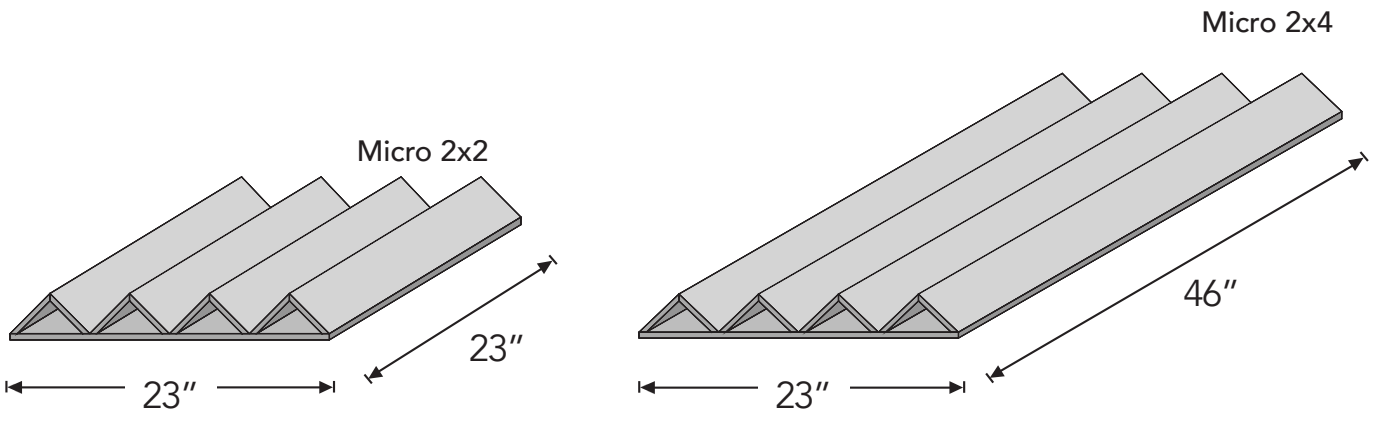
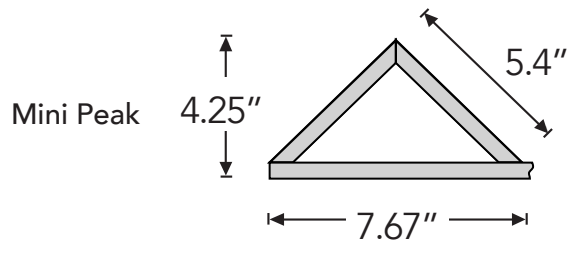
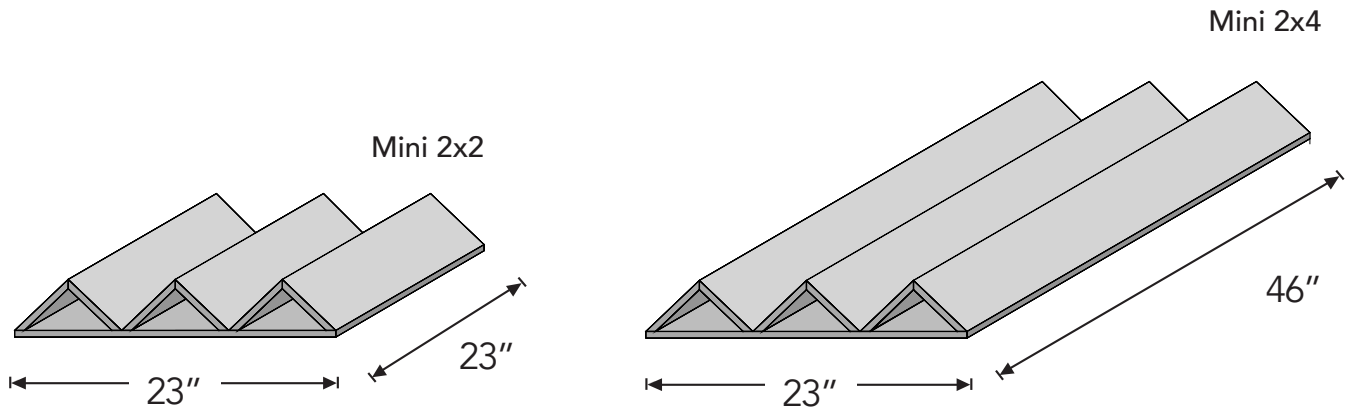
Sound Absorption

Frequency	250Hz	500Hz	800Hz	1000Hz	2000Hz	4000Hz	NRC
m ² /Object	3.47	7.31	7.85	7.48	7.38	7.44	0.95

Acoustic data is measured in Sabins per Ridge Tile Mini.



Product Dimensions



Available Colors



Color variation between dye lots is a natural characteristic of recycled PET felt due to the manufacturing process. Slight differences between samples and finished product may occur.

Installation

When mounting, use standard construction adhesives (e.g. Liquid Nails/Titebond - NOT PVA glue). Clean and prepare surface per adhesive guidelines. Spread adhesive evenly on panel back, leaving 2" space at edges. Adhere to wall surface, providing bracing to hold material against surface per adhesive open time/instructions. For more information, see the [Ridge Tiles Installation Guide](#).

Custom Printing with Kirei Ink

Ridge can be custom printed in house with Kirei Ink. We would love to work with you to print your own custom color, pattern, graphic or material. Reach out and our team will be ready to assist!

Please note: Kirei requires written permission from the copyright holder in order to reproduce any copyrighted work. Professional photographs cannot be reproduced without written permission from the photographer.



Product shown: Diamond Tile, Racetrack Path Tile, and Barcode Tile in Kirei Ink (Travertine)



Product shown: Ridge Tiles Mini 2x2 in Grey

kirei

Learn more and request your free sample:

619.236.9924 | sales@kireiusa.com

kireiusa.com