



# kirei

## POLYGON CLOUDS

### Acoustic Ceiling Solution

Don't let clients get boxed into bad acoustics. Maximize the impact of your acoustic choices with Polygon Clouds. This iconic cloud design offers 180 degree difference in acoustic control and style. Beautiful from every angle, Polygon Clouds come in Convex and Concave styles and can be installed individually or in clusters for dynamic shapes and patterns. With joiners made of the same recycled PET as the product, these clouds look just as visually stunning from above as below.

Product shown: Concave Clouds in Orchid

# Specs

Style	Standard Width	Height	Weight	SF/Unit
Concave Cloud	33.25" x 29.13"	9.9"	5 lbs	5.1
Convex Cloud	33.25" x 29.13"	9.9"	5 lbs	5.1

All specs refer to singular products and not multiples unless specified. Due to the nature of the material, cutting and fabrication process, minor dimensional variances may occur.

Designer Kirei

Material Thickness 12mm

Material 100% PET (60% post-consumer recycled content)

Fire Rating ASTM E84 Class A

Custom Options Available upon request

Lead Time Please refer to [kireiusa.com](http://kireiusa.com) for updated lead times.

VOC Emissions CDPH (CA 01350) Compliant  
TVOC: <0.5 mg/m3

\*Actual lead times are determined when the project goes into production and can change based on production schedule and all quantities, color and thicknesses being in stock at time of order. See [Kirei's Product Lead Time Disclosure](#) for more information.

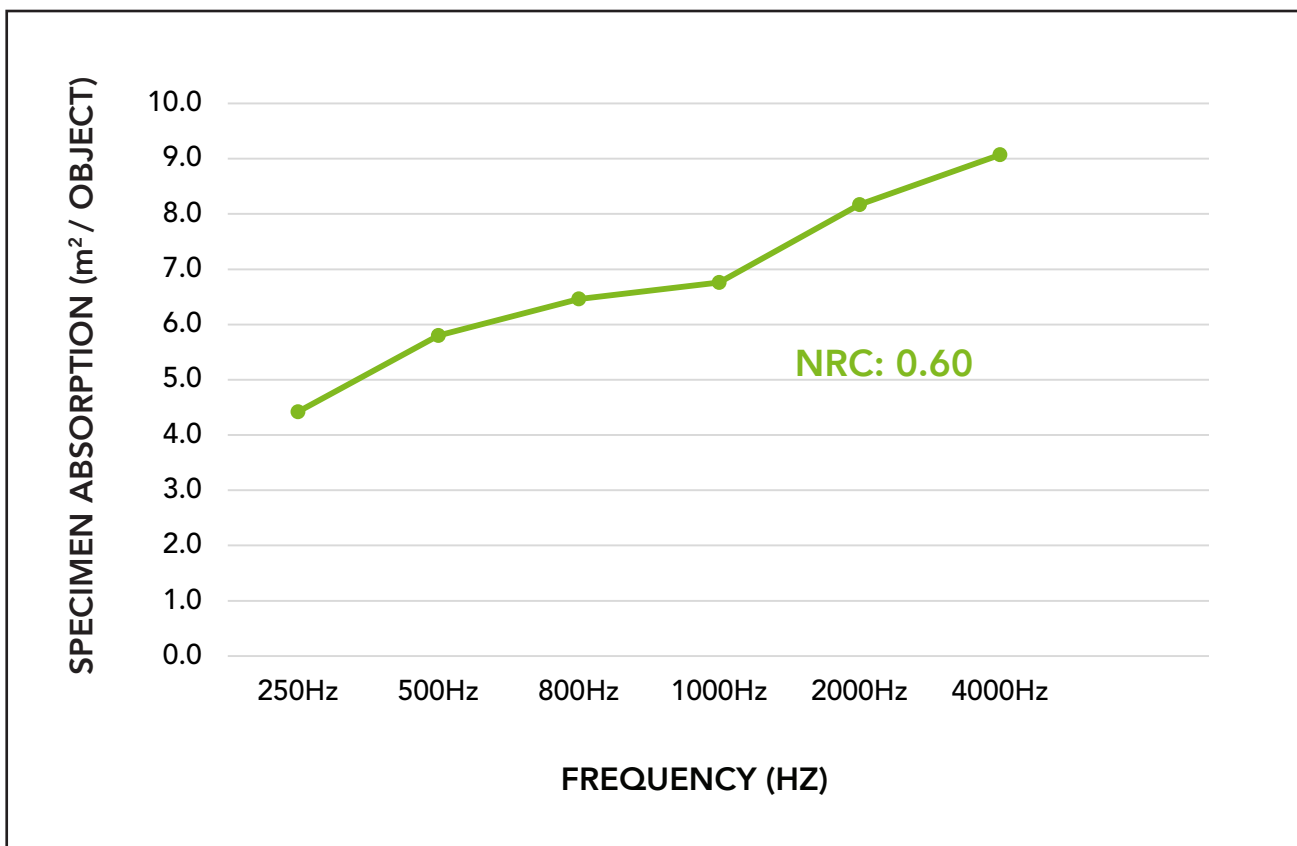


# Acoustic Data

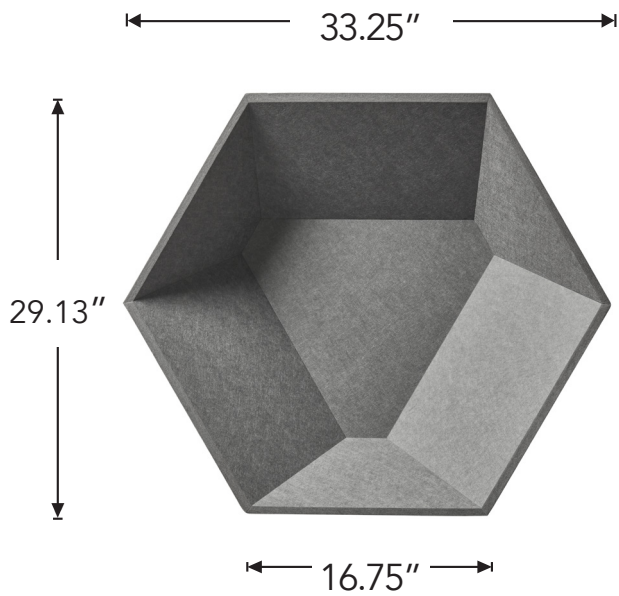
## Sound Absorption

Frequency	250Hz	500Hz	800Hz	1000Hz	2000Hz	4000Hz	NRC
m <sup>2</sup> /Object	4.42	5.80	6.46	6.76	8.17	9.07	0.60

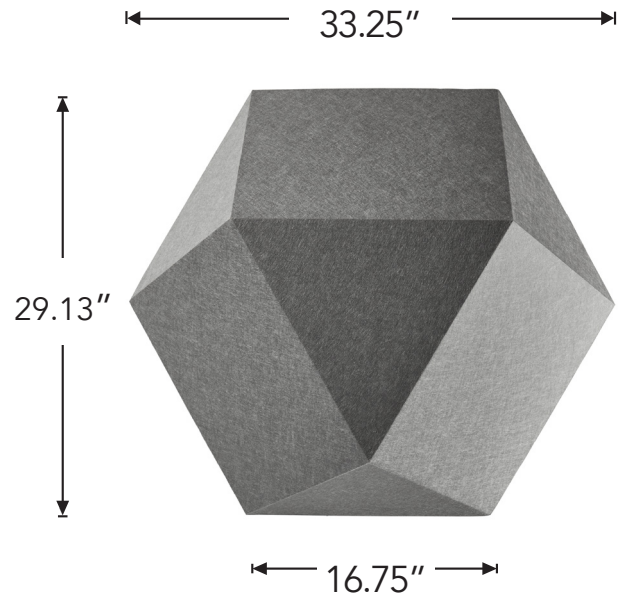
Acoustic data is measured in Sabins per Polygon Cloud.



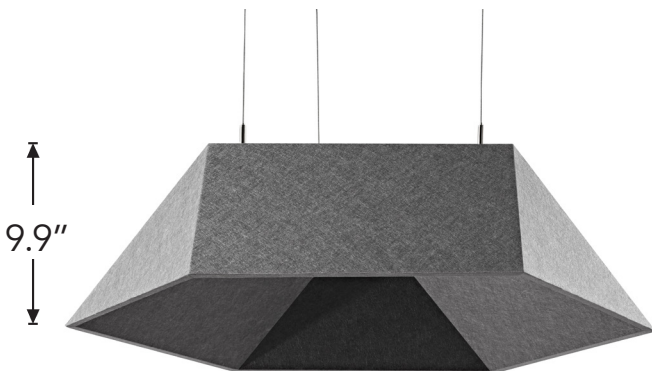
# Product Dimensions



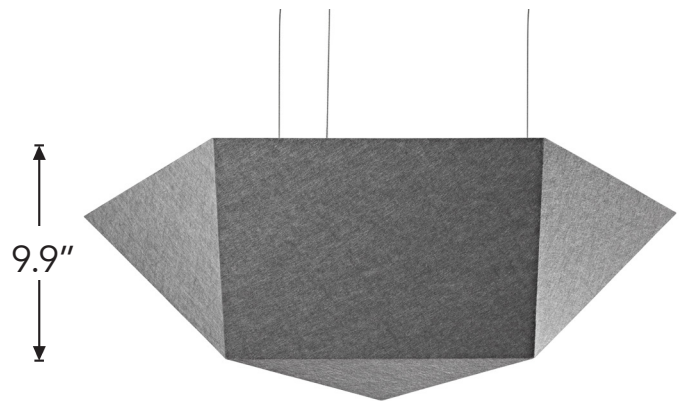
Concave Cloud



Convex Cloud



Concave Cloud Side View



Convex Cloud Side View

# Available Colors



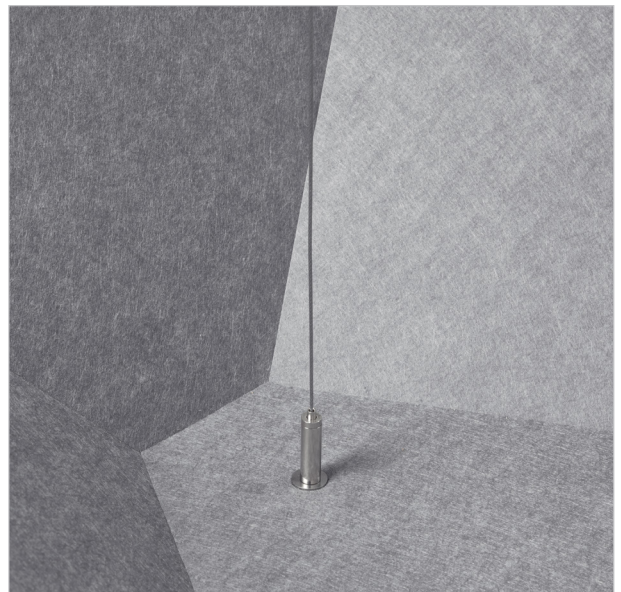
Color variation between dye lots is a natural characteristic of recycled PET felt due to the manufacturing process. Slight differences between samples and finished product may occur.

# Installation

Polygon Clouds are shipped ready to install and may be hung individually or in clusters using joiners. Each cloud comes with three pre-drilled attachment points and hardware. Polygon Clouds may be hung from a variety of ceiling types using the appropriate suspension cable and mounting hardware. To install clusters, 3 different PET joiners types - with provided screws - are offered for both Concave and Convex styles for seamless or mixed style installations (sold separately). For more information, see the [Polygon Clouds Installation Guide](#).



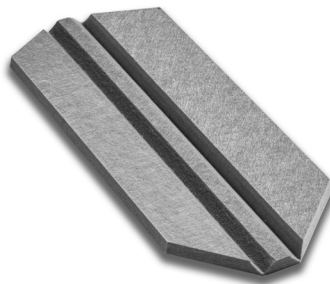
Concave Cloud Hardware



Convex Cloud Hardware



Convex to Convex  
PET Joiner



Concave to Concave  
PET Joiner



Concave to Convex  
PET Joiner

# Custom Printing with Kirei Ink

Polygon Clouds can be custom printed in house with Kirei Ink. Deliver endless customization possibilities from the natural beauty of botanicals to subtle or striking stonework. Pick from more than 50 prints over Kirei Ink's four collections or print your own custom color, pattern, graphic or material. We would love to work with you. Reach out and our team will be ready to assist!

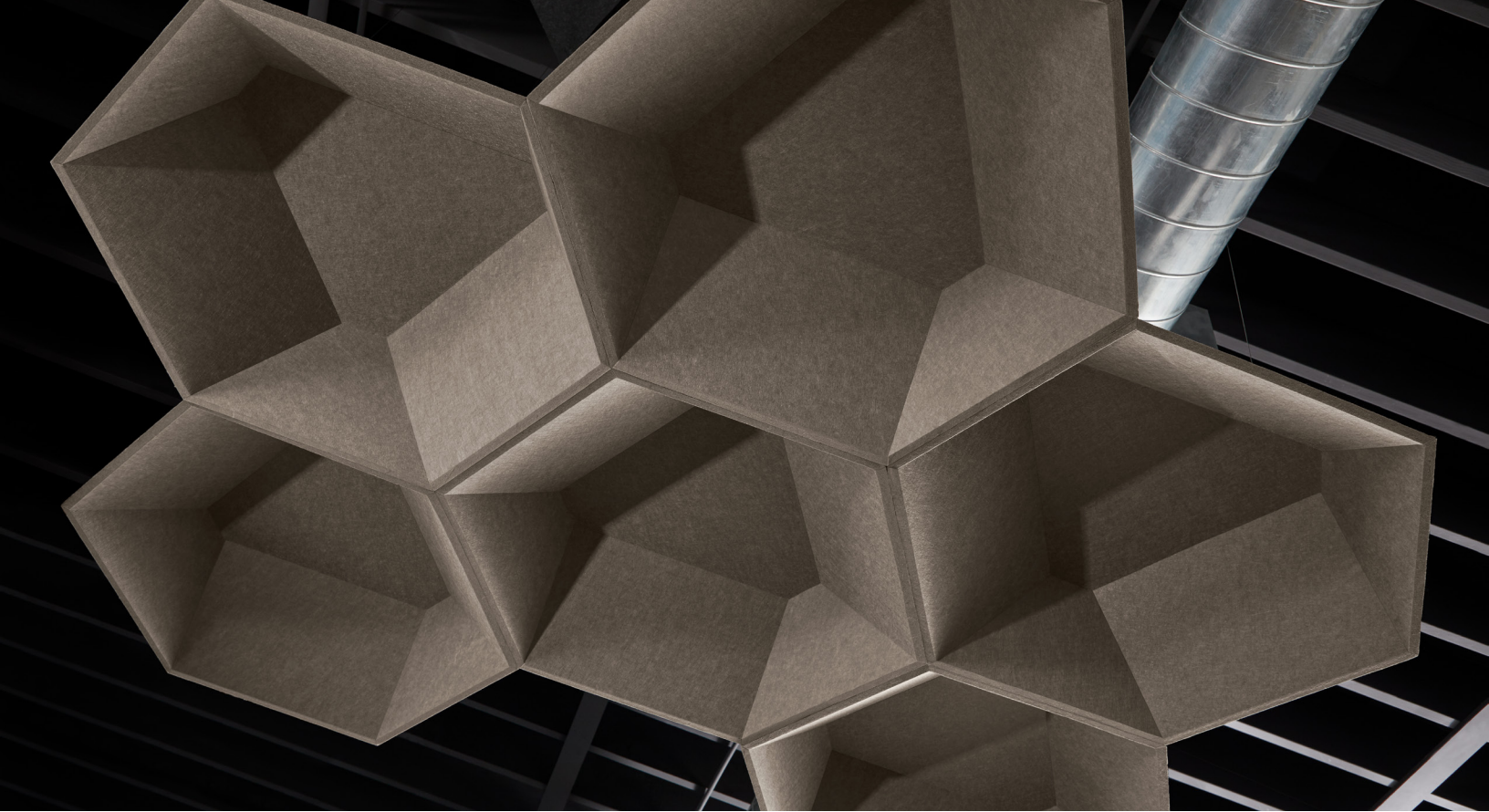
Please note: Kirei requires written permission from the copyright holder in order to reproduce any copyrighted work. Professional photographs cannot be reproduced without written permission from the photographer. Keep in mind printing is not on the edges of the fully assembled product.



Product shown: Convex Clouds in Kirei Ink (Pine) and Jade



Product shown: Concave Clouds in Wine and Orchid



Product shown: Concave Clouds in Pebble



Product shown: Convex Clouds in Pebble



Product shown: Concave & Convex Clouds in Wine

# kirei

Learn more and request your free sample:

619.236.9924 | [sales@kireiusa.com](mailto:sales@kireiusa.com)

[kireiusa.com](http://kireiusa.com)