



# kirei

## O BAFFLES

### Acoustic Baffles

O Baffle is a simple, classic design developed to create a strong visual impact while absorbing maximum sound. This bold baffle can be a focal point in the room or disappear into the ceiling while significantly increasing acoustic control. Integrated airspace of 150 cubic inches per foot provides great sound absorption. Hang O Baffles in regular rows, random groupings, or with other baffle systems to create beautiful architectural design solutions. Custom configurations available.

Product shown: O Baffles in Vanilla

# Specs

Style	Standard (LxH)	Width	Weight	LF/Unit
40" Baffle	40" x 10"	3"	4.2 lbs	3.3
48" Baffle	48" x 10"	3"	4.8 lbs	4
72" Baffle	72" x 10"	3"	7.1 lbs	6
96" Baffle	96" x 10"	3"	9.5 lbs	8

All specs refer to singular products and not multiples unless specified. Due to the nature of the material, cutting and fabrication process, minor dimensional variances may occur. O Baffles have 150 in<sup>3</sup> per foot of airspace. This can vary based on cores and hardware locations in the baffle.

Designer	Kirei
Material Thickness	12mm
Material	100% PET (60% post-consumer recycled content)
Fire Rating	ASTM E84 Class A
Custom Options	Available upon request
Lead Time	Please refer to <a href="http://kireiusa.com">kireiusa.com</a> for updated lead times.
VOC Emissions	CDPH (CA 01350) Compliant TVOC: <0.5 mg/m <sup>3</sup>

\*Actual lead times are determined when the project goes into production and can change based on production schedule and all quantities, color and thicknesses being in stock at time of order. See [Kirei's Product Lead Time Disclosure](#) for more information.



**Declare.**



# Acoustic Data

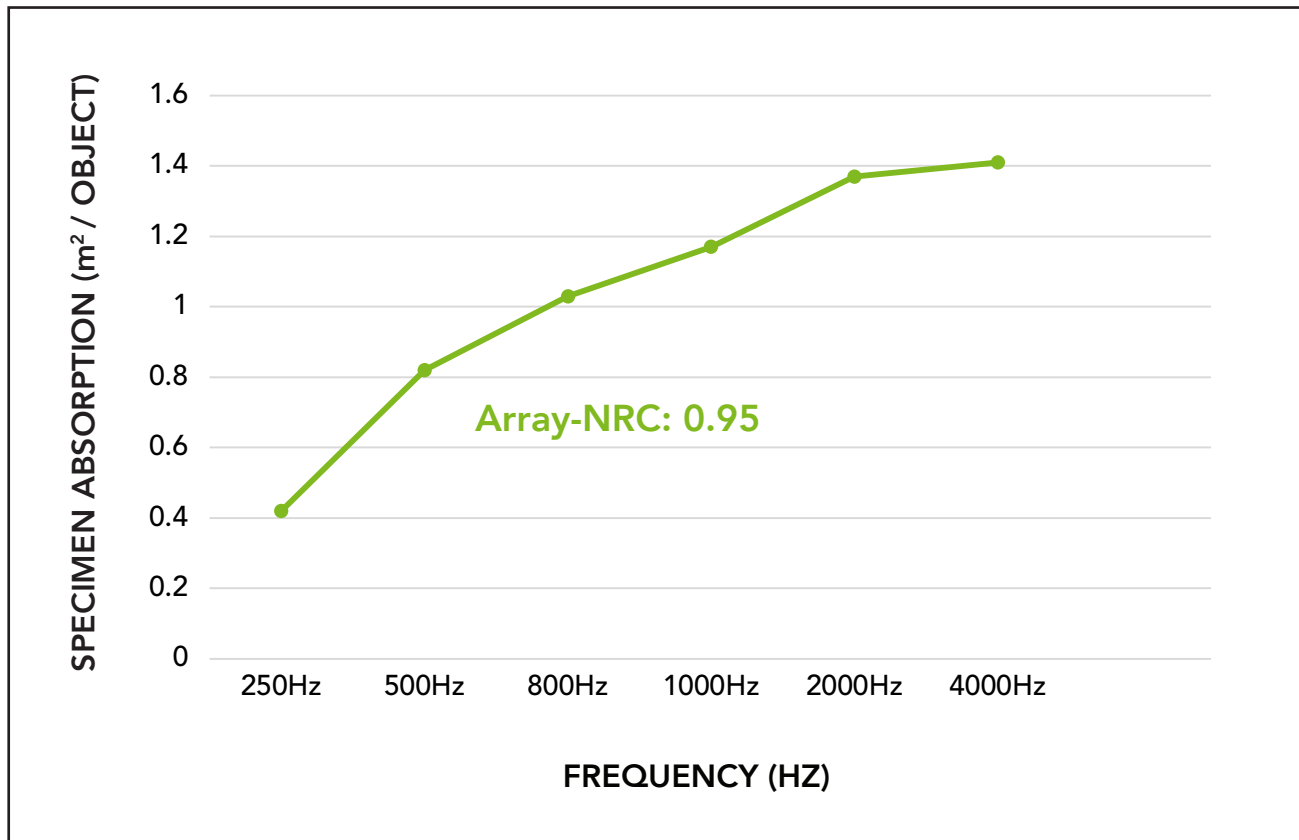
## Sound Absorption

Frequency	125Hz	250Hz	500Hz	1000Hz	2000Hz	4000Hz	Array-NRC	Array-SAA
$\alpha$ array (Sabins/ft <sup>2</sup> ) (SA/m <sup>2</sup> )	0.10	0.42	0.82	1.17	1.37	1.41	0.95	0.95

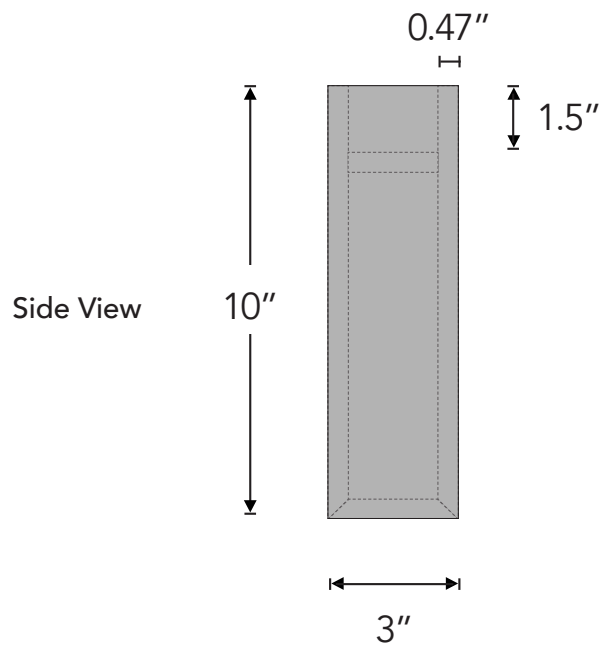
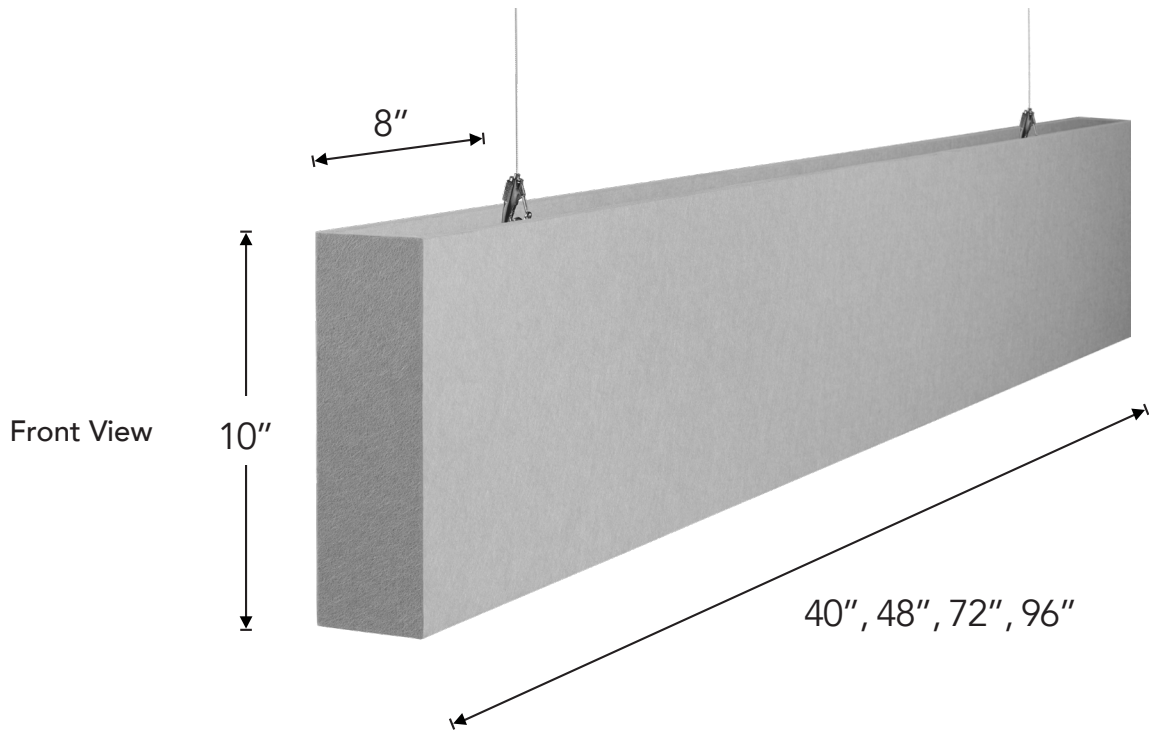
Acoustic data is measured in Sabins per O Baffle at 12" spacing.

## Sabins per Array

Frequency	125Hz	250Hz	500Hz	1000Hz	2000Hz	4000Hz
Sabins	7.73	32.91	64.52	91.80	108.00	110.74



# Product Dimensions



# Available Colors

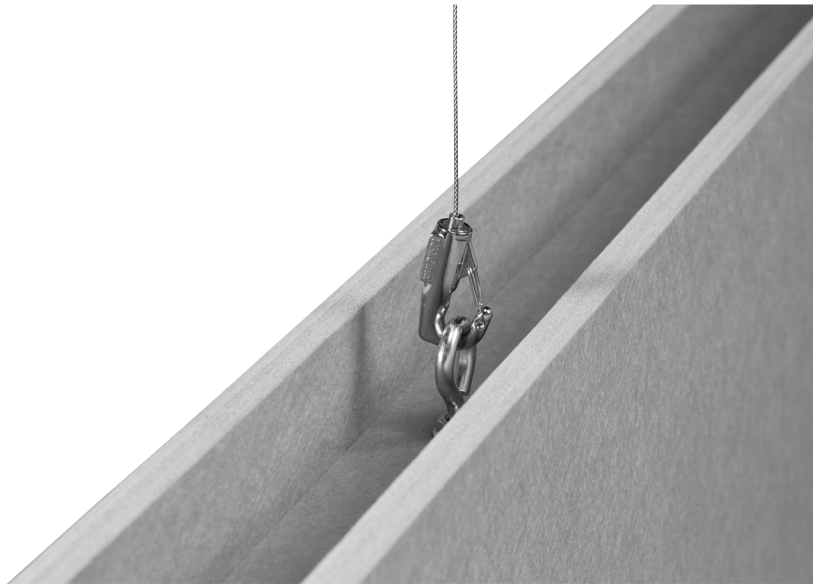
						
<b>Cayenne 029</b> 12mm	<b>Wine 009</b> 12mm	<b>Rouge 007</b> 12mm	<b>Crimson 059</b> 12mm	<b>Mandarin 013</b> 12mm	<b>Cinnamon 006</b> 12mm	<b>Nutmeg 047</b> 12mm
						
<b>Latte 055</b> 12mm	<b>Vanilla 028</b> 12mm	<b>Dusk 032</b> 12mm	<b>Blush 030</b> 12mm	<b>Ochre 004</b> 12mm	<b>Sunshine 003</b> 12mm	<b>Butter 002</b> 12mm
						
<b>Cappuccino 062</b> 12mm	<b>Sepia 063</b> 12mm	<b>Cream 048</b> 12mm	<b>White 033</b> 12mm	<b>Mushroom 026</b> 12mm	<b>Frost 001</b> 12mm	<b>Grey 023</b> 12mm
						
<b>Millennium 061</b> 12mm	<b>Smoke 024</b> 12mm	<b>Sage 042</b> 12mm	<b>Pebble 022</b> 12mm	<b>Slate 025</b> 12mm	<b>Black 035</b> 12mm	<b>Onyx 036</b> 12mm
						
<b>Mint 038</b> 12mm	<b>Duck Egg 037</b> 12mm	<b>Pacific 045</b> 12mm	<b>Lime Splice 020</b> 12mm	<b>Pistachio 041</b> 12mm	<b>Olive 021</b> 12mm	<b>Jade 016</b> 12mm
						
<b>Vineyard 017</b> 12mm	<b>Seaweed 056</b> 12mm	<b>Orchid 011</b> 12mm	<b>Amethyst 060</b> 12mm	<b>Navy 019</b> 12mm	<b>Coronet 046</b> 12mm	<b>Lapis 058</b> 12mm
						
<b>Ivy 015</b> 12mm	<b>Lavender 012</b> 12mm					

Color variation between dye lots is a natural characteristic of recycled PET felt due to the manufacturing process. Slight differences between samples and finished product may occur.

# Installation

O Baffles have two attachment points with a ¼"-20 female thread and come with your choice of eyebolts or ¼"-20 male threaded screw hardware. To install O Baffles, attach the specified ceiling mounting hardware and suspension cable/chain/rod/etc. with the appropriate connector at the bottom end. Once the ceiling hardware is installed, attach the connector to the supplied attachment hardware on the O Baffle. For instructions on how to install baffles in a variety of ways, see the [O Baffles Installation Guide](#).

*Note: Kirei does not provide ceiling mounting hardware or cable/chain/rod.*



Eyebolt Mounting Hardware

## Custom Printing with Kirei Ink

O Baffles can be custom printed in house with Kirei Ink. We would love to work with you to print your own custom color, pattern, graphic or material. Reach out and our team will be ready to assist!

Please note: Kirei requires written permission from the copyright holder in order to reproduce any copyrighted work. Professional photographs cannot be reproduced without written permission from the photographer.



Product shown: O Baffles in Vanilla



Product shown: O Baffles in Vanilla



Product shown: O Baffles in Duck Egg

# kirei

Learn more and request your free sample:

619.236.9924 | [sales@kireiusa.com](mailto:sales@kireiusa.com)

[kireiusa.com](http://kireiusa.com)