



kirei

MATRIX GRID

Acoustic Baffle System

Deliver a premium overhead lattice with the ease of Kirei installation using patent pending Matrix, a system of customizable acoustic baffles designed to mimic an ACT grid. Its innovative system of connectors allows you to easily scale your design from a single 4-sided unit to an almost infinite size. Available in over 35 colors with the option for full and selective Kirei Ink printing, Matrix's open design makes it lighting and HVAC friendly while being simple to assemble and install on site.

Product shown: Matrix Grid in Vanilla with Kirei Ink (Pine) with Navy connectors

Specs

Style	Standard (LxH)	Width	Weight	SF/Unit
Baffle	21.61" x 8"	1.89"	0.7 lbs	Depends on configuration
Connector	~2.38" x 8.5"	~2.38"	0.5 lbs	

All specs refer to singular products and not multiples unless specified. Due to the nature of the material, cutting and fabrication process, minor dimensional variances may occur.

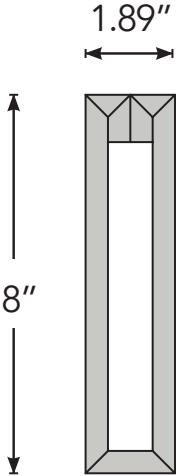
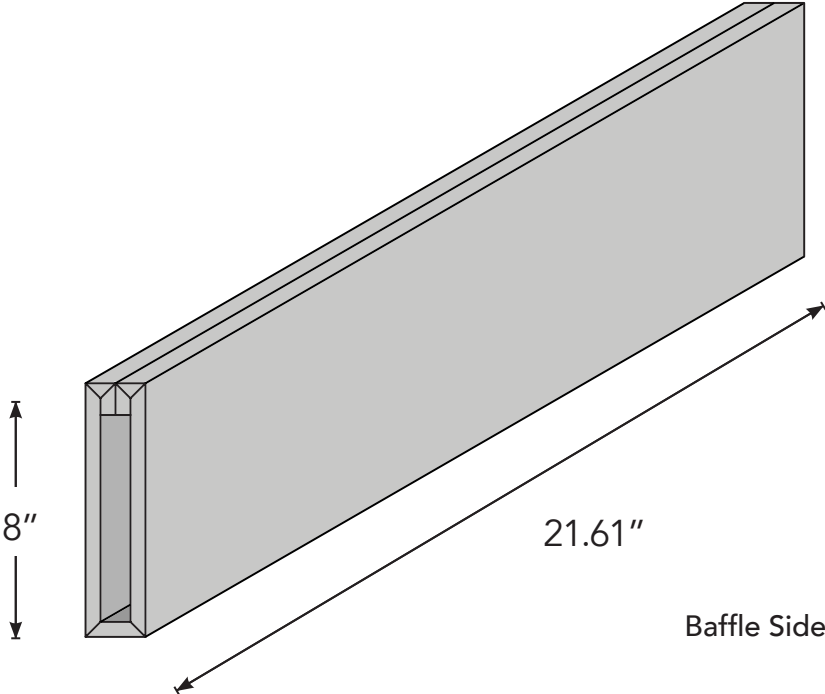
Designer	Kirei
Material	100% PET (60% post-consumer recycled content)
Fire Rating	ASTM E84 Class A
Custom Options	Available upon request
Lead Time	Please refer to kireiusa.com for updated lead times.
VOC Emissions	CDPH (CA 01350) Compliant TVOC: <0.5 mg/m3

*Actual lead times are determined when the project goes into production and can change based on production schedule and all quantities, color and thicknesses being in stock at time of order. See [Kirei's Product Lead Time Disclosure](#) for more information.

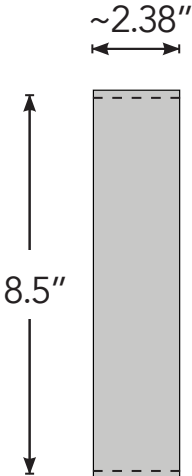


Product Dimensions

Matrix Grid



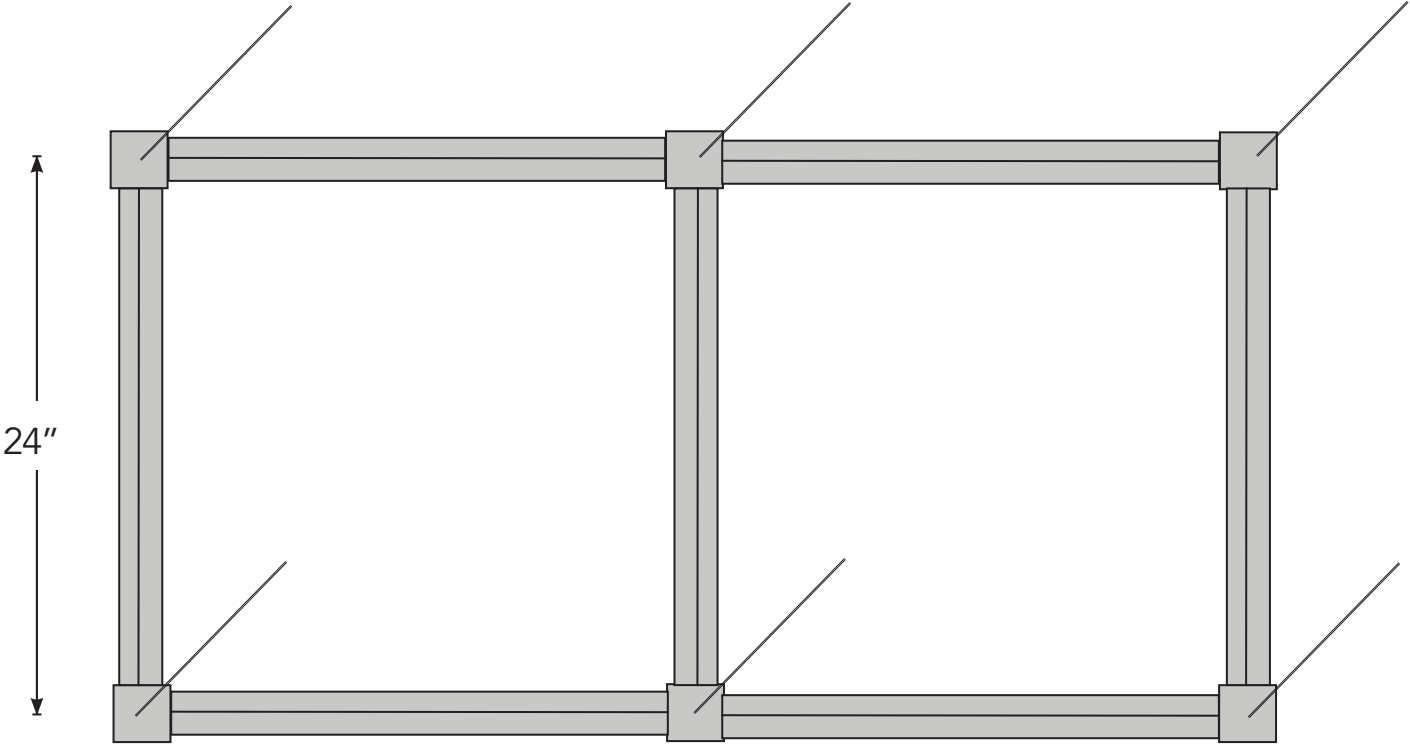
Baffle Front



Connector Front

Product Dimensions

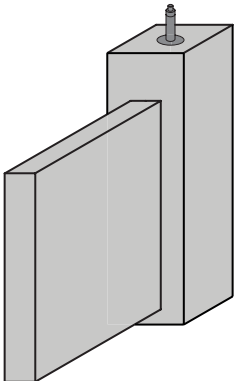
Matrix Grid
(hardware distance)



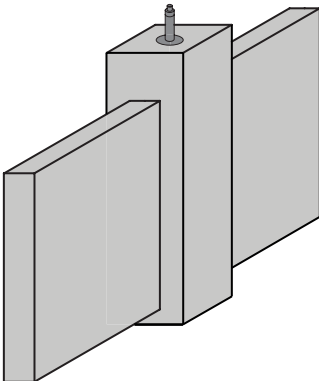
1x2 Matrix Grid Top-down View

Connectors

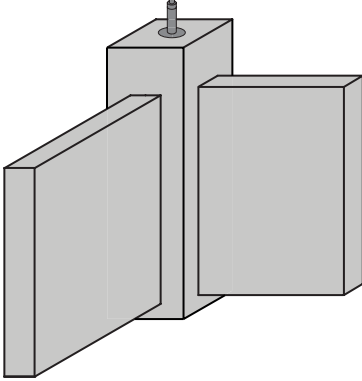
There are five different connectors available for creating a variety of formations. The Matrix Grid design will dictate the number and type of connectors that will be needed.



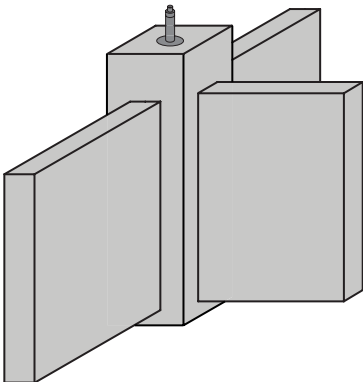
Single Connector



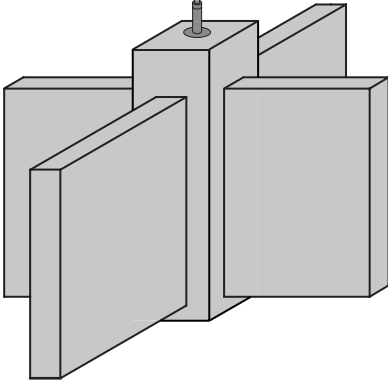
Straight Connector



Corner Connector



3-Way Connector



4-Way Connector

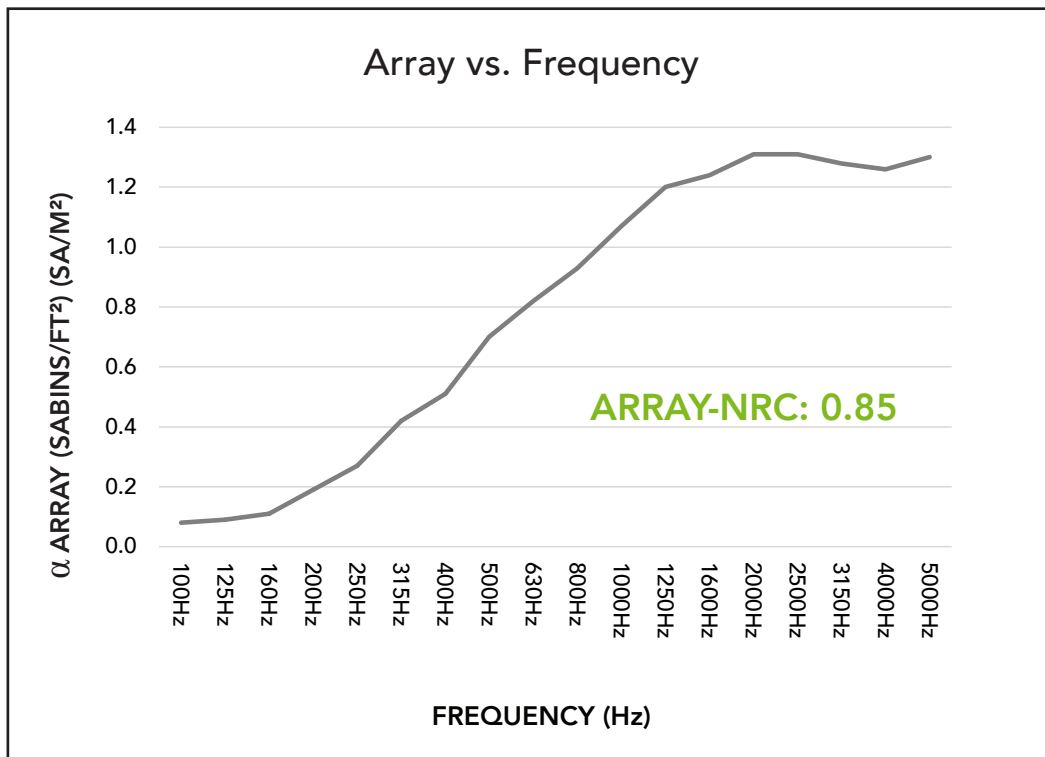
Acoustic Data - Matrix Grid

Sound Absorption

Frequency	125Hz	250Hz	500Hz	1000Hz	2000Hz	4000Hz	Array-NRC	Array-SAA
α array (Sabins/ft ²) (SA/m ²)	0.09	0.27	0.70	1.07	1.31	1.26	0.85	0.83

Sabins per Array

Frequency	125Hz	250Hz	500Hz	1000Hz	2000Hz	4000Hz
Sabins	8.7	26.39	68.21	104.77	127.59	123.29



Acoustic data is measured in Array-NRC per 2 Matrix Grid units (50.975" x 100.25") spaced 12" apart. For more information, see the [full acoustic test](#).

Available Colors

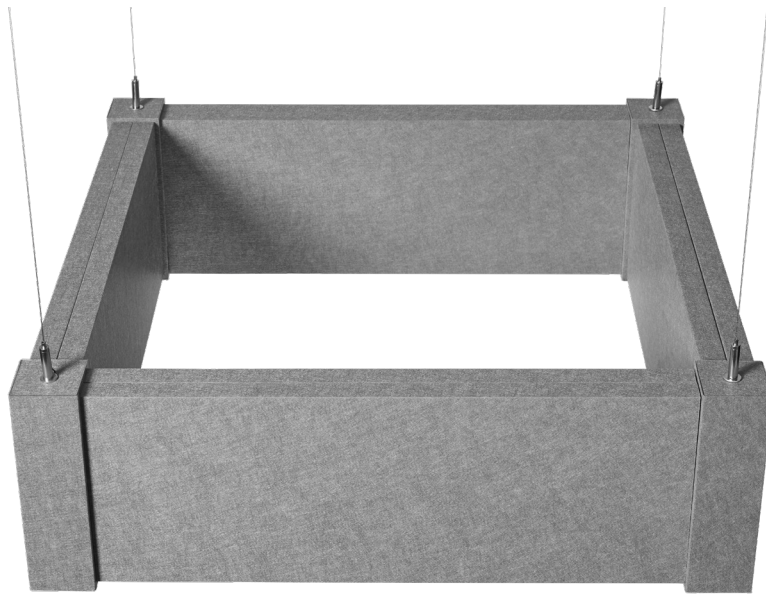
						
Cayenne 029 12mm	Wine 009 12mm	Rouge 007 12mm	Crimson 059 12mm	Mandarin 013 12mm	Cinnamon 006 12mm	Nutmeg 047 12mm
						
Latte 055 12mm	Vanilla 028 12mm	Dusk 032 12mm	Blush 030 12mm	Ochre 004 12mm	Sunshine 003 12mm	Butter 002 12mm
						
Cappuccino 062 12mm	Sepia 063 12mm	Cream 048 12mm	White 033 12mm	Mushroom 026 12mm	Frost 001 12mm	Grey 023 12mm
						
Millennium 061 12mm	Smoke 024 12mm	Sage 042 12mm	Pebble 022 12mm	Slate 025 12mm	Black 035 12mm	Onyx 036 12mm
						
Mint 038 12mm	Duck Egg 037 12mm	Pacific 045 12mm	Lime Splice 020 12mm	Pistachio 041 12mm	Olive 021 12mm	Jade 016 12mm
						
Vineyard 017 12mm	Seaweed 056 12mm	Orchid 011 12mm	Amethyst 060 12mm	Navy 019 12mm	Coronet 046 12mm	Lapis 058 12mm
						
Ivy 015 12mm	Lavender 012 12mm					

Color variation between dye lots is a natural characteristic of recycled PET felt due to the manufacturing process. Slight differences between samples and finished product may occur.

Installation

Grids are shipped ready to install, no assembly required. There are five different connectors available for creating a variety of formations. The Matrix Grid design will dictate the number and type of connectors that will be needed. Matrix Grid connectors have a single attachment point with Griplock cable gripper hardware. To install the Matrix Grid, attach the specified ceiling mounting hardware and suspension cable/chain/rod/etc. with the appropriate connector at the bottom end. Once the ceiling hardware is installed, attach the connector to the supplied attachment hardware. Continue with second connector and insert baffle piece in between, press-fit locking on both ends. For full instructions, see the [Matrix Grid Installation Guide](#).

Note: Kirei does not provide ceiling mounting hardware or cable/chain/rod.



4 Baffles, 4 Corner Connectors

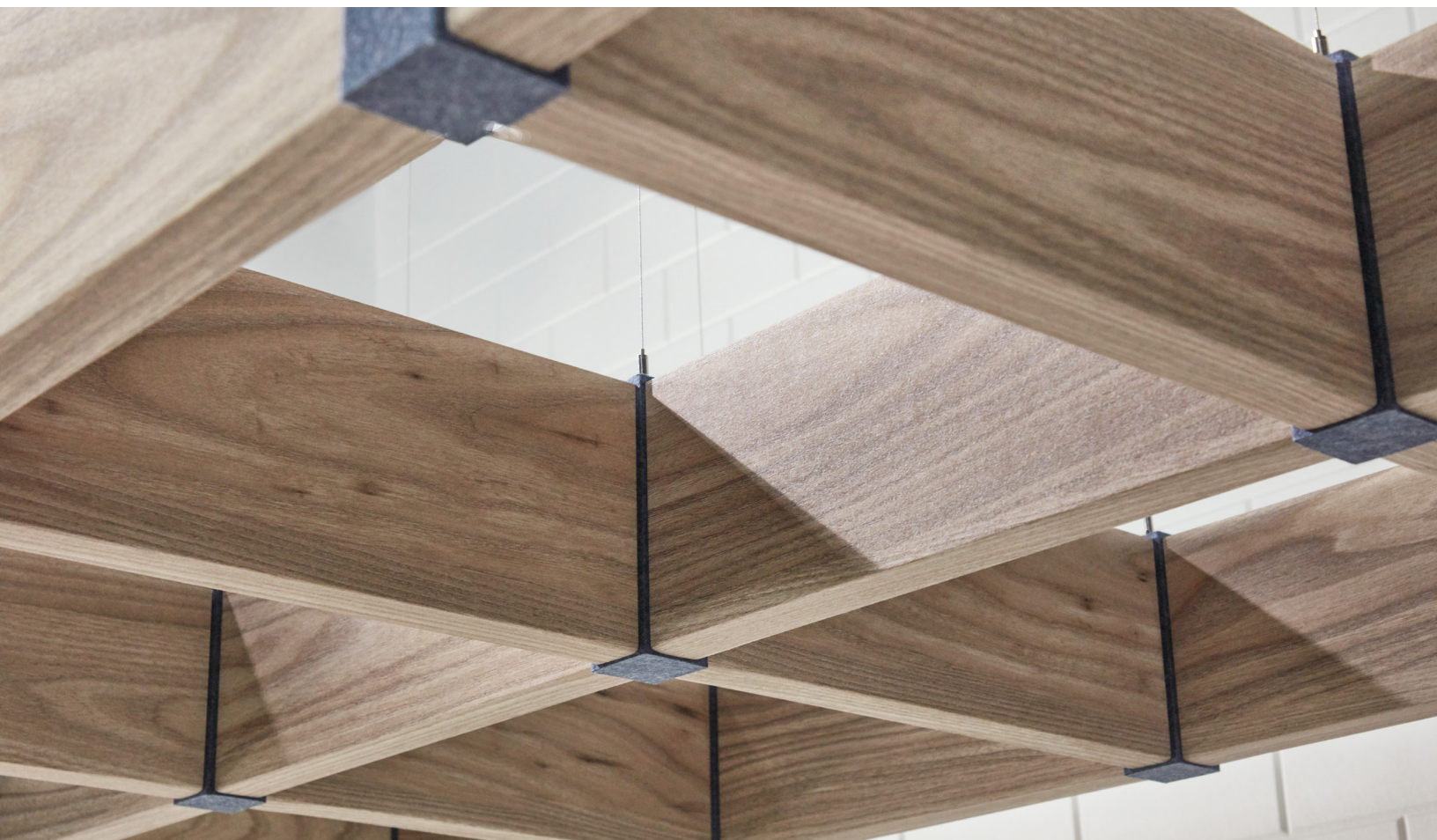
Custom Printing with Kirei Ink

The Matrix Grid can be custom printed in house with Kirei Ink. Print selectively on baffles or connectors, or apply Ink to both. We would love to work with you to print your own custom color, pattern, graphic or material. Reach out and our team will be ready to assist!

Please note: Kirei requires written permission from the copyright holder in order to reproduce any copyrighted work. Professional photographs cannot be reproduced without written permission from the photographer.



Product shown: Matrix Grid in Vanilla with Kirei Ink (Pine) with Navy connectors



Product shown: Matrix Grid in Vanilla with Kirei Ink (Pine) with Navy connectors



Product shown: Matrix Grid in Slate

kirei

Learn more and request your free sample:

619.236.9924 | sales@kireiusa.com

kireiusa.com