



kirei

HYPERFLY™ CLOUD LIT

Acoustic Ceiling Solution
with Purity Lighting by RESOLUTE

Add soft curves and sound absorption to open ceilings with the dynamic design of HyperFly™ Clouds, available with lighting or without. The circular cloud with radiating fins introduces gentle geometry overhead while helping reduce excess noise in active environments. Suspend HyperFly™ Clouds in clusters, patterns, or at varying heights to create layered ceiling compositions that bring visual warmth, improved acoustics, and moments of illumination within the arrangement. Offered in two sizes.

Products shown: HyperFly™ Cloud Lit (Large) in Frost with Kirei Ink (White Wash), HyperFly™ Cloud (Large) in White, and HyperFly™ Cloud (Small) in Blush

Specs

Style	Standard (Diameter)	Height	Weight	SF/Unit
Small	35"	5"	8.5 lbs	6.68
Large	47.4"	7.2"	11.5 lbs	12.25

All specs refer to singular products and not multiples unless specified. Due to the nature of the material, cutting and fabrication process, minor dimensional variances may occur.

Designer	Kirei/Michael DiTullo x RESOLUTE
Material Thickness	12mm
Material	100% PET (60% post-consumer recycled content)
Fire Rating	ASTM E84 Class A
Custom Options	Available upon request
Lead Time	Please refer to kireiusa.com for updated lead times.
VOC Emissions	CDPH (CA 01350) Compliant TVOC: <0.5 mg/m3



*Actual lead times are determined when the project goes into production and can change based on production schedule and all quantities, color and thicknesses being in stock at time of order. See [Kirei's Product Lead Time Disclosure](#) for more information.

Lighting Features - Purity

Lighting Applications



Purity works with HyperFly™ Cloud for Direct lighting applications only and mounts to Kirei clouds using provided hardware.

Base

E26 (medium)

Wattage

15W LED or 60W incandescent max (lamp not included)

Voltage

120V

Mount

Canopy Ø4.5", Ø5" face plate, featuring integrated cables for direct mount to Kirei Clouds.

Connection

Black cord, 8' max overall drop

UL Rating

UL Listed. Suitable for Dry and Damp locations

Finish

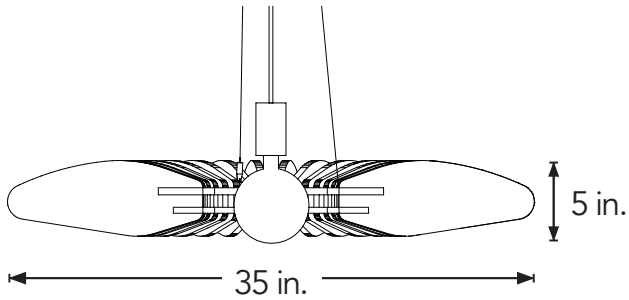
Matte Silver powder coat

Custom finishes and colors available upon request.

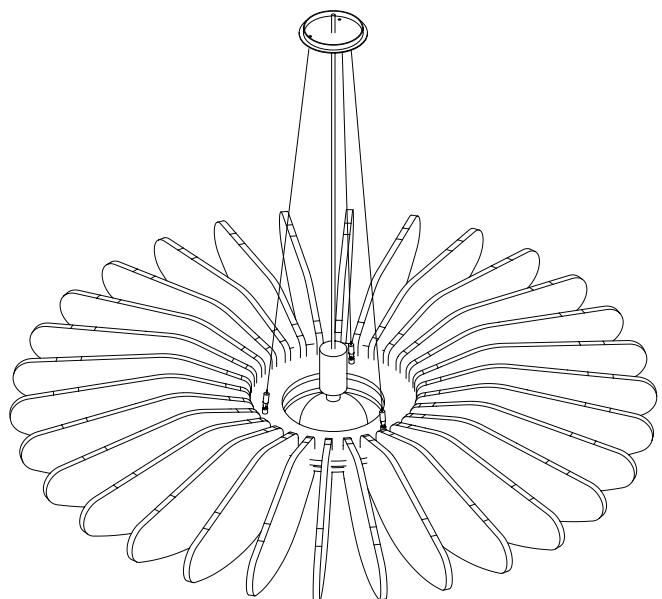
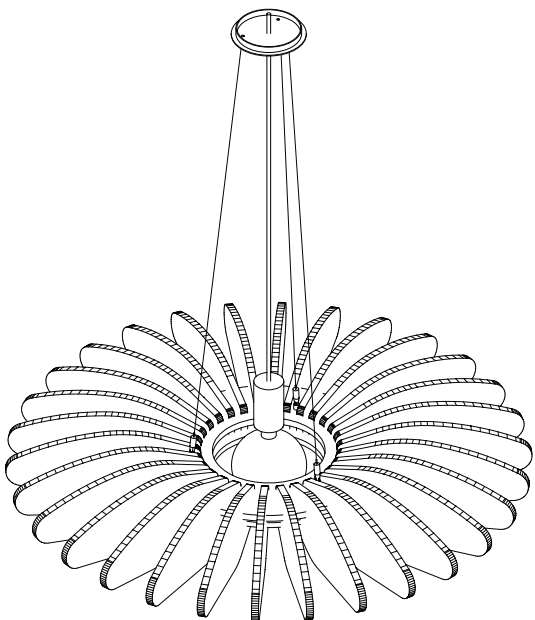
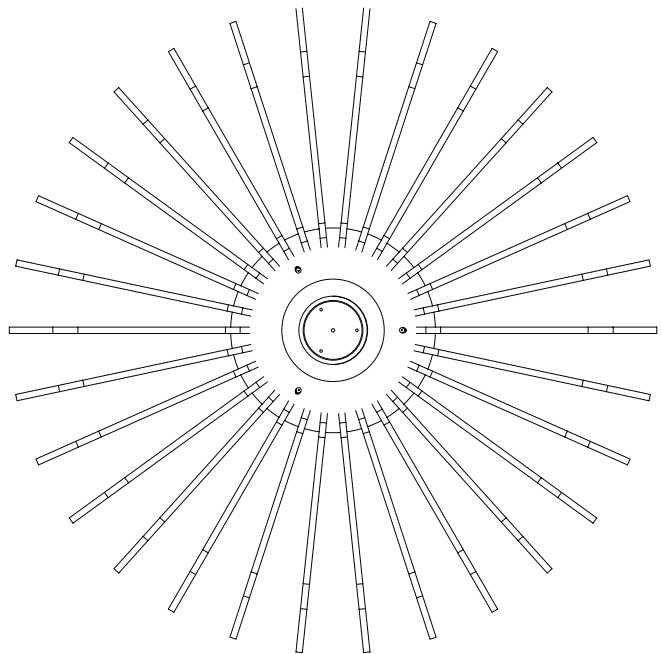
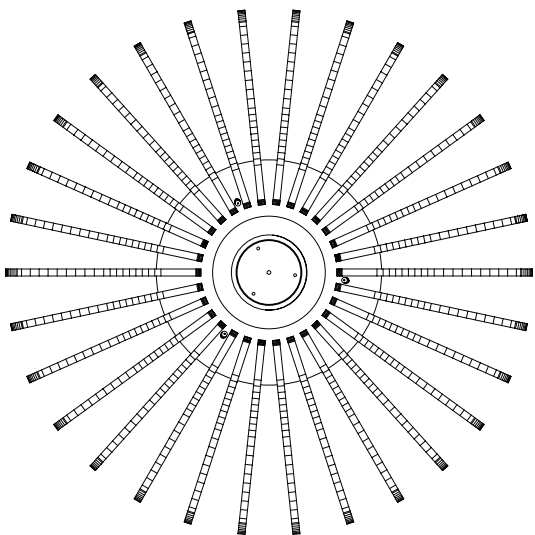
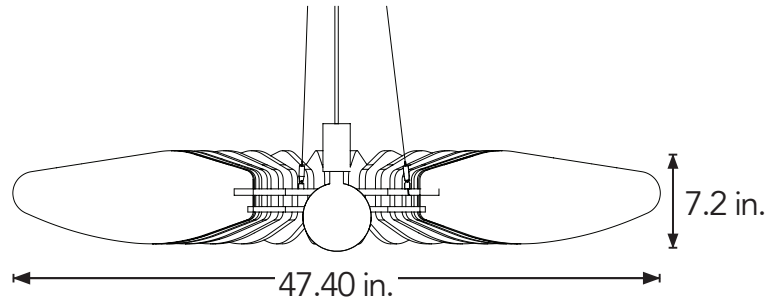
Product Dimensions

Note: Lamp not included. Product shown with lamp installed for visual purposes.

HyperFly™ Cloud Lit
(Small)



HyperFly™ Cloud Lit
(Large)



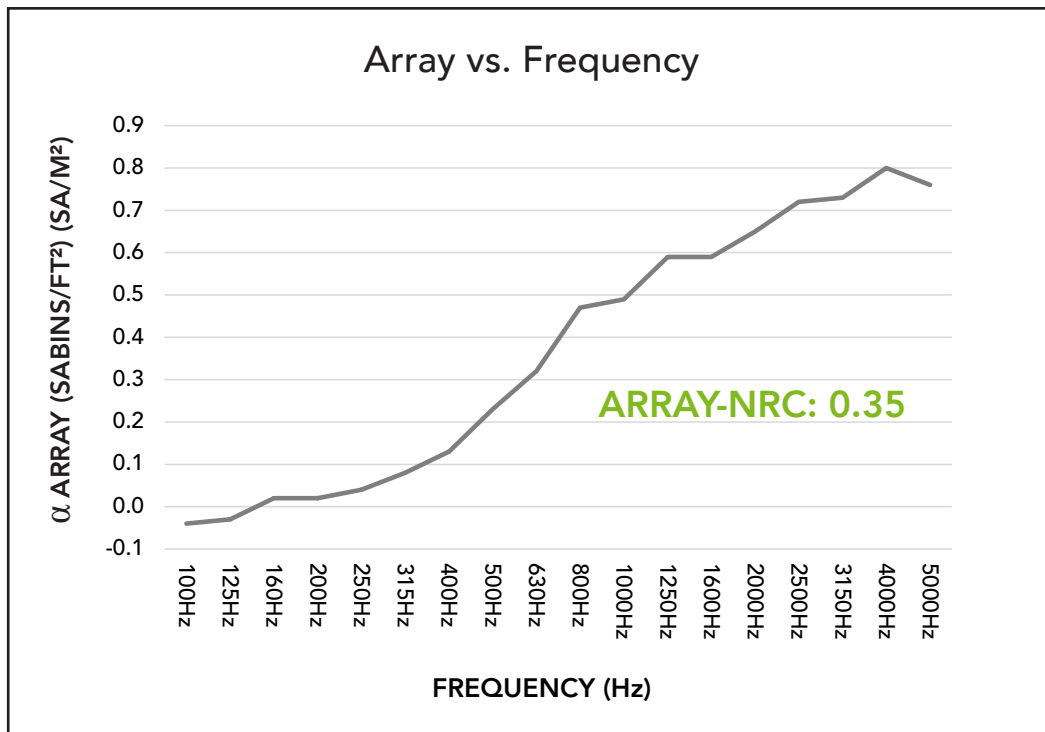
Acoustic Data - HyperFly™ Cloud Lit (Small)

Sound Absorption

Frequency	125Hz	250Hz	500Hz	1000Hz	2000Hz	4000Hz	Array-NRC	Array-SAA
α array (Sabins/ft ²) (SA/m ²)	-0.03	0.04	0.23	0.49	0.65	0.80	0.35	0.36

Sabins per Array

Frequency	125Hz	250Hz	500Hz	1000Hz	2000Hz	4000Hz
Sabins	-0.82	1.31	7.01	15.01	19.86	24.33



Acoustic data is measured in Array-NRC per HyperFly Cloud Lit (Small) at 2 units spaced 12" apart. For more information, see the [full acoustic test](#).

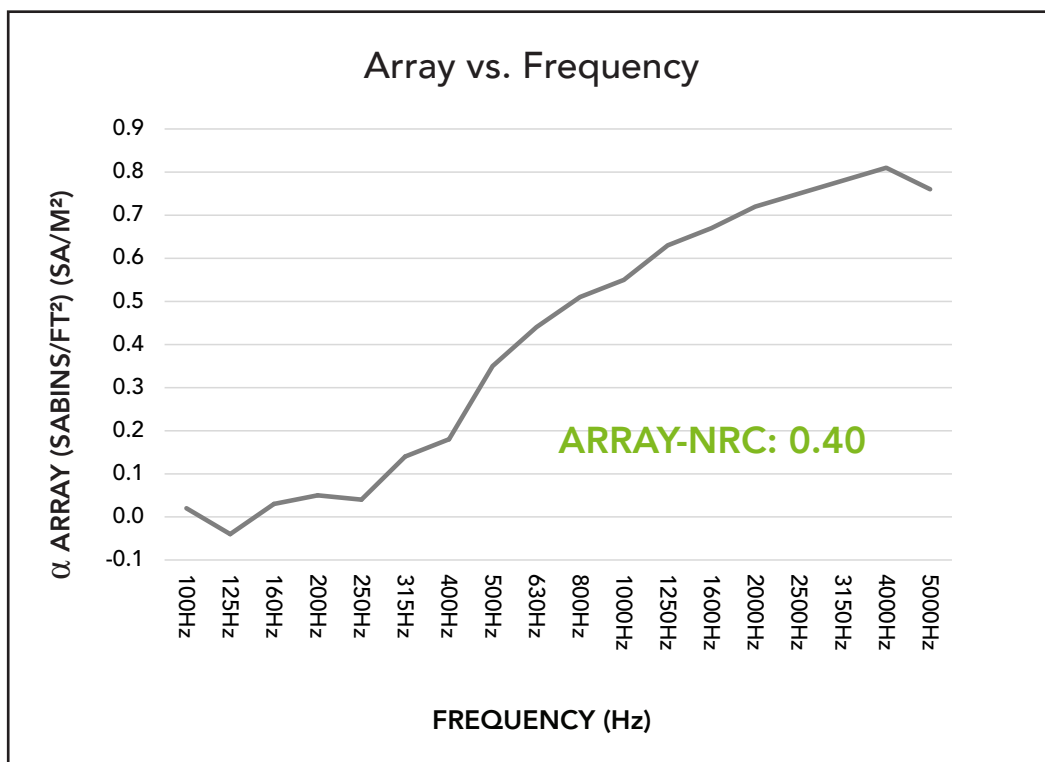
Acoustic Data - HyperFly™ Cloud Lit (Large)

Sound Absorption

Frequency	125Hz	250Hz	500Hz	1000Hz	2000Hz	4000Hz	Array-NRC	Array-SAA
α array (Sabins/ft ²) (SA/m ²)	-0.04	0.04	0.355	0.55	0.72	0.81	0.40	0.42

Sabins per Array

Frequency	125Hz	250Hz	500Hz	1000Hz	2000Hz	4000Hz
Sabins	-2.12	2.08	17.09	27.06	35.21	39.49



Acoustic data is measured in Array-NRC per HyperFly Cloud Lit (Large) at 2 units spaced 12" apart. For more information, see the [full acoustic test](#).

Available Colors



Color variation between dye lots is a natural characteristic of recycled PET felt due to the manufacturing process. Slight differences between samples and finished product may occur.

Installation

HyperFly™ Cloud Lit may be hung from a variety of ceiling types using cable suspension. HyperFly™ Cloud lit mounting options include three-point direct mount or three-way cloud kit. Select your mounting option for looks or flexibility as needed. Lighting component will need to be assembled with cloud on site. For more information and instructions on installing HyperFly™ Cloud Lit, please review the [HyperFly™ Cloud Lit Installation Guide](#).

Note: Kirei does not provide ceiling mounting hardware or cable/chain/rod. Lamp not included.



HyperFly™ Cloud Lit Hardware

Custom Printing with Kirei Ink

HyperFly™ Cloud Lit can be custom printed in house with Kirei Ink. Deliver endless customization possibilities from the natural beauty of botanicals to subtle or striking stonework. Pick from more than 50 prints over Kirei Ink's four collections or print your own custom color, pattern, graphic or material. We would love to work with you. Reach out and our team will be ready to assist!

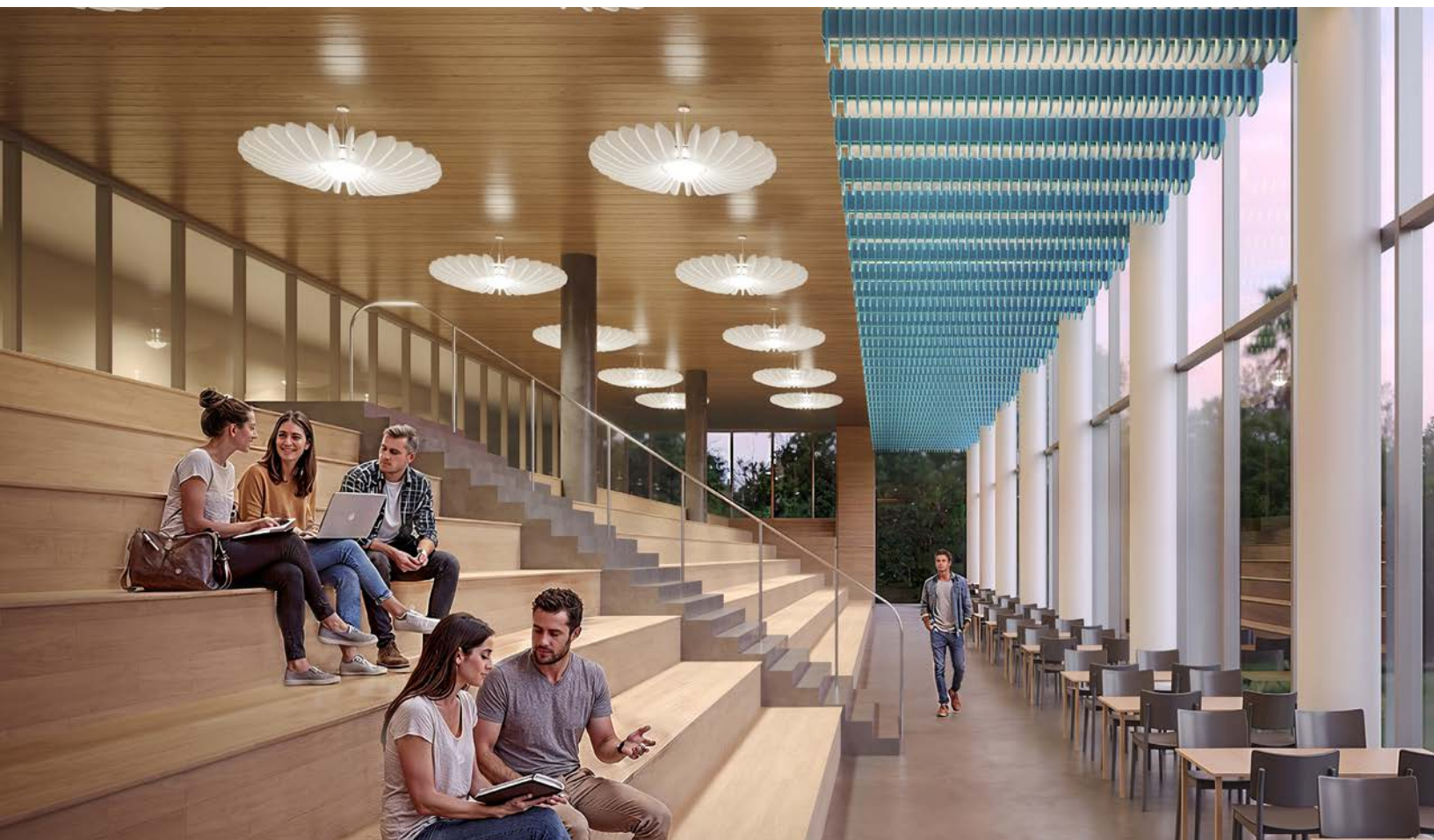
Please note: Kirei requires written permission from the copyright holder in order to reproduce any copyrighted work. Professional photographs cannot be reproduced without written permission from the photographer. Keep in mind printing is not on the edges of the fully assembled product.



Product shown: HyperFly Cloud Lit in Vanilla with Kirei Ink (Pine)



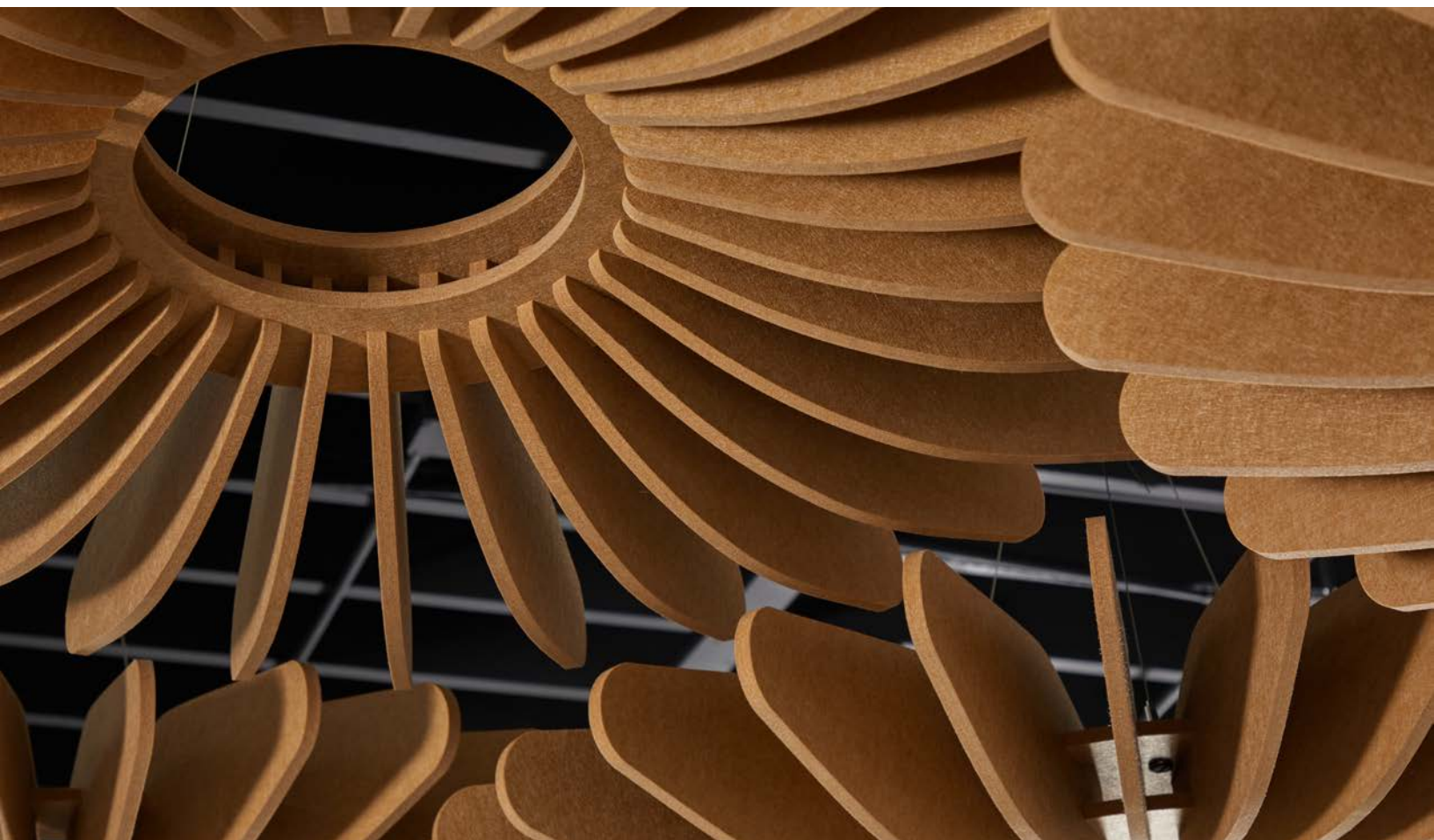
Products shown: HyperFly™ Cloud Lit (Large) in Gray, Dusk, and White



Product shown: HyperFly™ Cloud Lit (Small) in White & HyperFly™ Baffle Lit in Pacific



Products shown: HyperFly™ Cloud Lit (Large) in Frost with Kirei Ink (White Wash), HyperFly™ Cloud (Large) in White, and HyperFly™ Cloud (Small) in Blush



Product shown: HyperFly™ Cloud Lit (Small & Large) in Nutmeg



Products shown: HyperFly™ Cloud Lit (Large) in Frost with Kirei Ink (White Wash)
HyperFly™ Cloud (Large) in White, and HyperFly™ Cloud (Small) in Blush

kirei

Learn more and request your free sample:

619.236.9924 | sales@kireiusa.com

kireiusa.com