



kirei

HYPERFLY™ BAFFLE LIT

Acoustic Baffles
with HyperBEAM Lighting by RESOLUTE

Bring linear texture and acoustic performance to open ceilings with HyperFly™ Baffles, available with lighting or without. The finned baffle form creates repeating lines overhead while helping absorb excess noise. Arrange HyperFly Baffles in long runs, alternating layouts, or varied heights to introduce visual rhythm across the ceiling plane, with light integrated where it's needed. Offered in three standard lengths.

Product shown: HyperFly™ Baffle Lit in White and Mint

Specs

Style	Standard (LxH)	Width	Weight (Single Source)	Weight (Direct/Indirect)	LF/Unit
48" Baffle	48" x 10"	6.5"	5.9 lbs	5.9 lbs	4
73.6" Baffle	73.6" x 10"	6.5"	7.3 lbs	7.3 lbs	6.13
96" Baffle	96" x 10"	6.5"	9.7 lbs	9.7 lbs	8

All specs refer to singular products and not multiples unless specified. Due to the nature of the material, cutting and fabrication process, minor dimensional variances may occur.

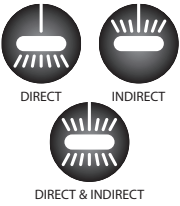
Designer	Kirei/Michael DiTullo x RESOLUTE
Material Thickness	12mm
Material	100% PET (60% post-consumer recycled content)
Fire Rating	ASTM E84 Class A
Custom Options	Available upon request
Lead Time	Please refer to kireiusa.com for updated lead times.
VOC Emissions	CDPH (CA 01350) Compliant TVOC: <0.5 mg/m ³

Actual lead times are determined when the project goes into production and can change based on production schedule and all quantities, color and thicknesses being in stock at time of order. See [Kirei's Product Lead Time Disclosure](#) for more information.



Lighting Features - HyperBEAM

Lighting Applications



HyperBEAM works with HyperFly™ Baffle for direct and indirect lighting applications and mounts to Kirei baffles using provided hardware.

Color Temperature 3000K

CRI 95+

Wattage 6.9W/ft

Lumen output 580 lm/ft

Lens Opal Diffusion

UL Rating UL Listed. Suitable for Dry and Damp locations

Material Silver Anodized finish

Driver Remote Mount Driver

Dimming Compatibility 0-10V and Triac/ELV; Lutron available by request

Custom Lumen output, color temperature, and finish available upon request.
See below for electrical values per HyperFly™ Baffle Lit size offered.

Specifications (Lumens, Wattage)

48" HyperBEAM

Single source: 2127 lm, 25.3W
Double source: 4253 lm, 50.6W

73.6" HyperBEAM

Single source: 3287 lm, 39.1W
Double source: 6573 lm, 78.2W

96" HyperBEAM

Single source: 4447 lm, 52.9W
Double source: 8893 lm, 105.8W

Acoustic Data - HyperFly™ Baffle Lit (48")

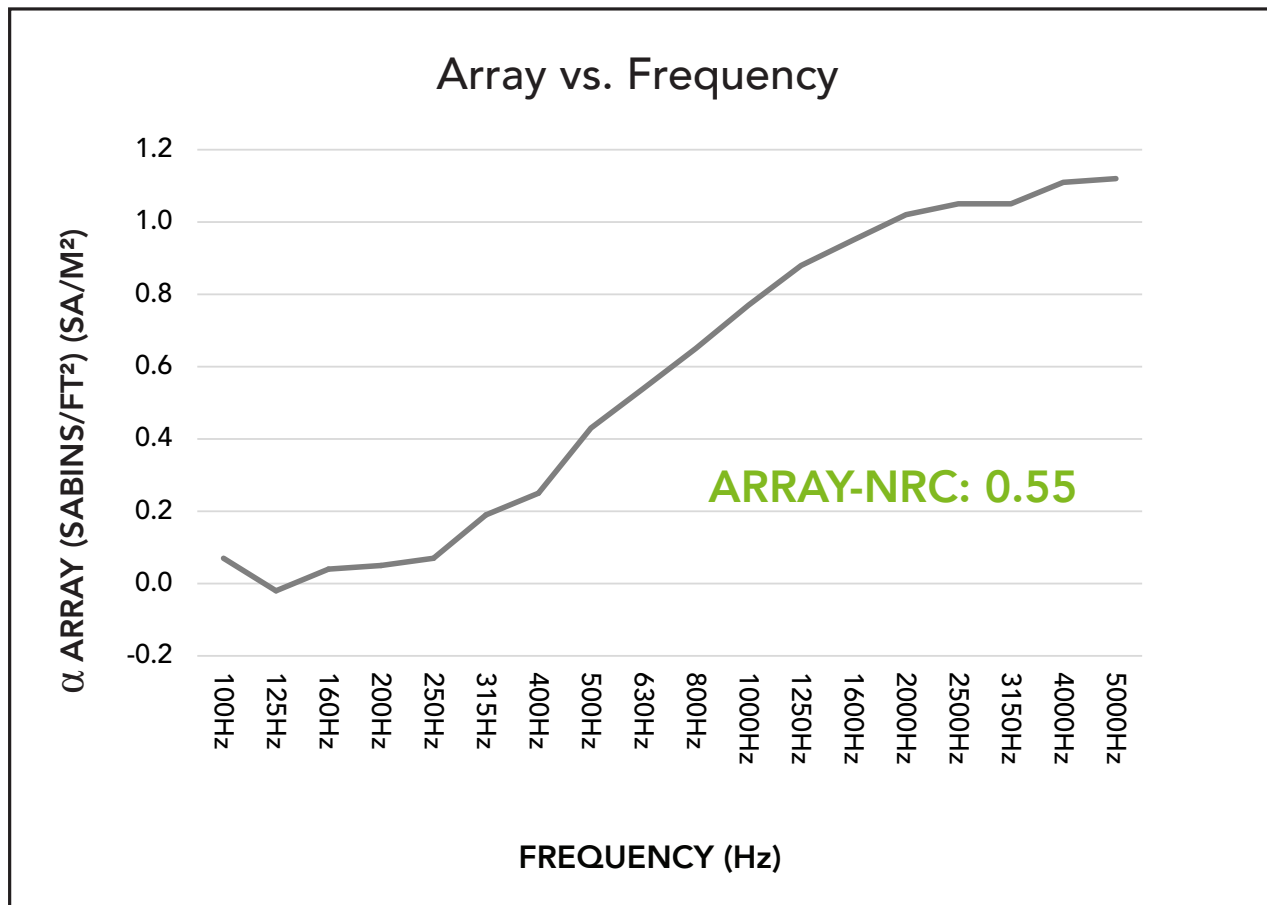
Sound Absorption

Frequency	125Hz	250Hz	500Hz	1000Hz	2000Hz	4000Hz	Array-NRC	Array-SAA
α array (Sabins/ft ²) (SA/m ²)	-0.02	0.07	0.43	0.77	1.02	1.11	0.55	0.57

Sabins per Array

Frequency	125Hz	250Hz	500Hz	1000Hz	2000Hz	4000Hz
Sabins	-1.75	5.73	33.44	59.61	78.49	85.53

Acoustic data is measured in Array-NRC per HyperFly Baffle (48") at 10 units, five rows of two units each, rows spaced 12" apart, units in each row spaced 12" apart. For more information, see the [full acoustic test](#).



Acoustic Data - HyperFly™ Baffle Lit (96")

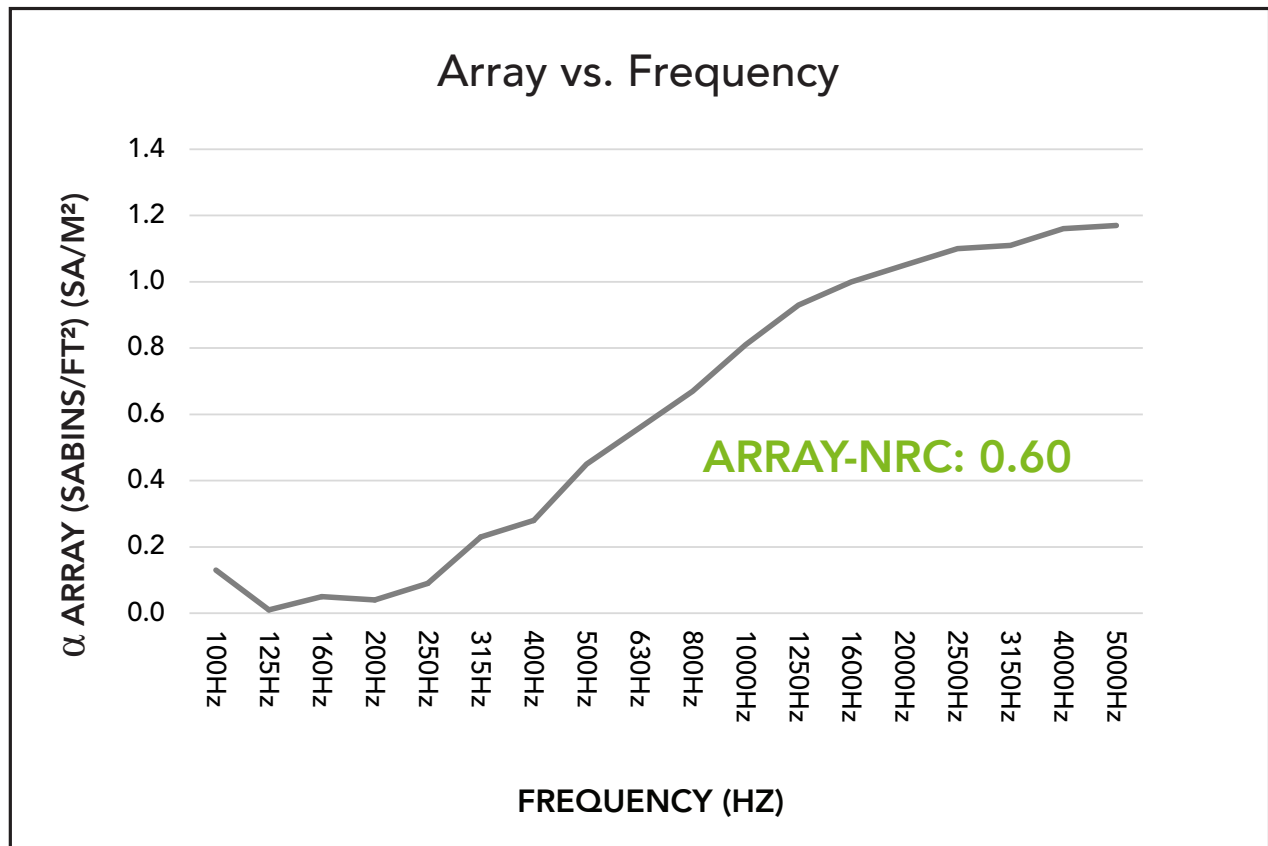
Sound Absorption

Frequency	125Hz	250Hz	500Hz	1000Hz	2000Hz	4000Hz	Array-NRC	Array-SAA
α array (Sabins/ft ²) (SA/m ²)	0.01	0.09	0.45	0.81	1.05	1.16	0.60	0.60

Sabins per Array

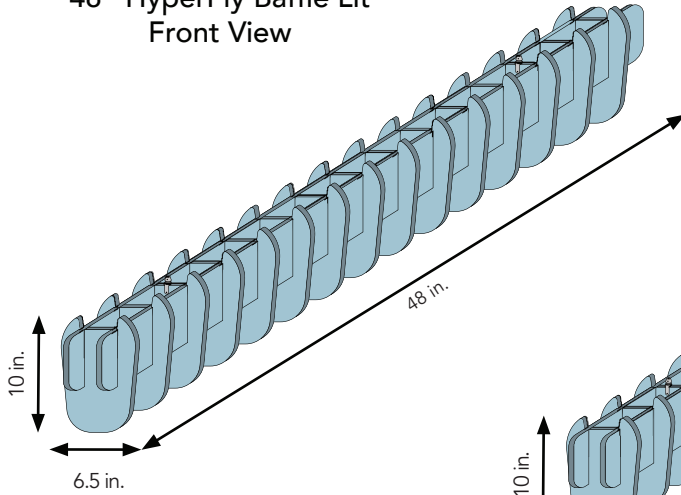
Frequency	125Hz	250Hz	500Hz	1000Hz	2000Hz	4000Hz
Sabins	1.13	7.37	37.11	67.60	87.52	96.33

Acoustic data is measured in Array-NRC per HyperFly Baffle (96") at 6 units, one row, units spaced 12" apart. For more information, see the [full acoustic test](#).

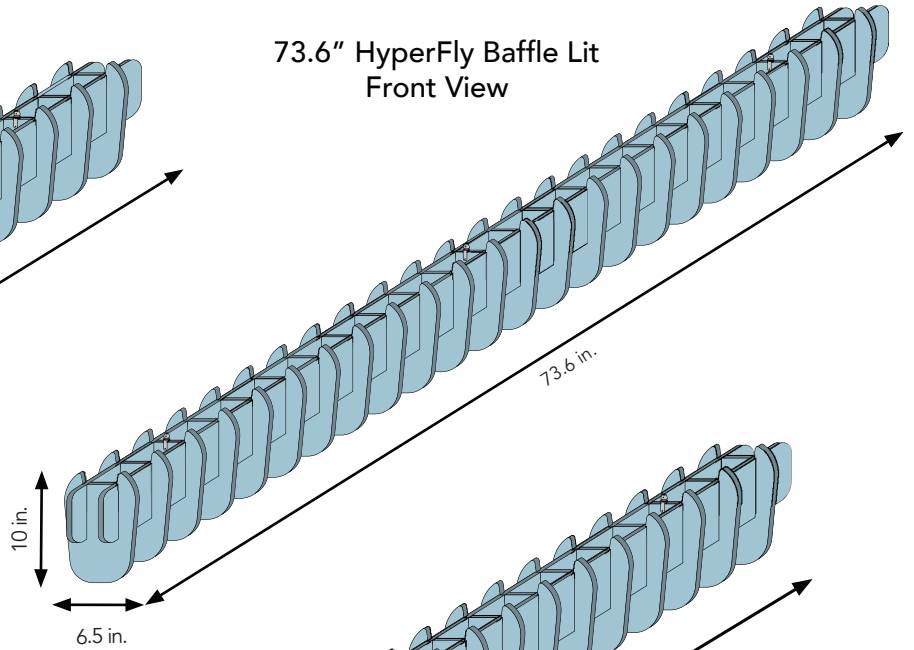


Product Dimensions

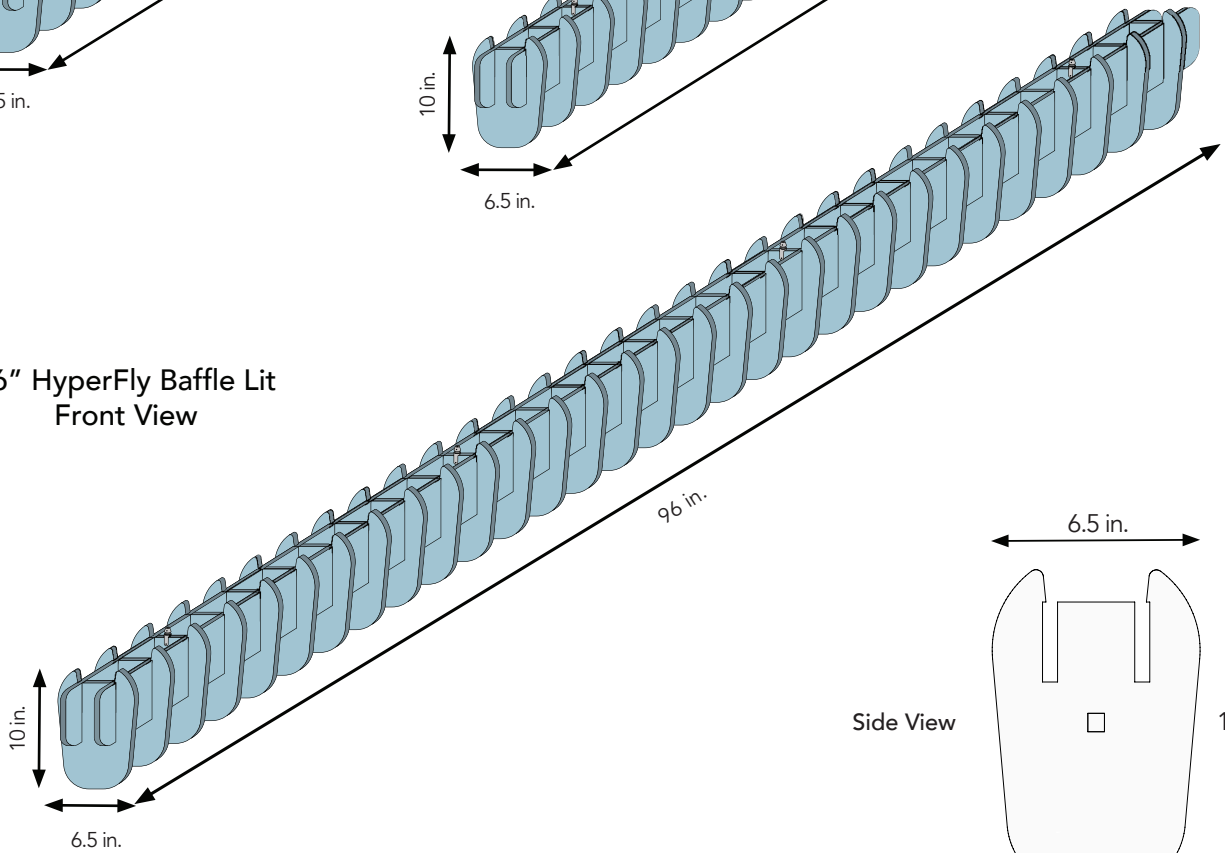
48" HyperFly Baffle Lit
Front View



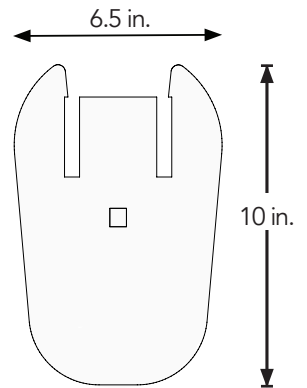
73.6" HyperFly Baffle Lit
Front View



96" HyperFly Baffle Lit
Front View



Side View



Note:

- 48" HyperFly Baffle Lit comes with 2 hanging points.
- 73.6" HyperFly Baffle Lit comes with 3 hanging points.
- 96" HyperFly Baffle Lit comes with 4 hanging points.

Available Colors

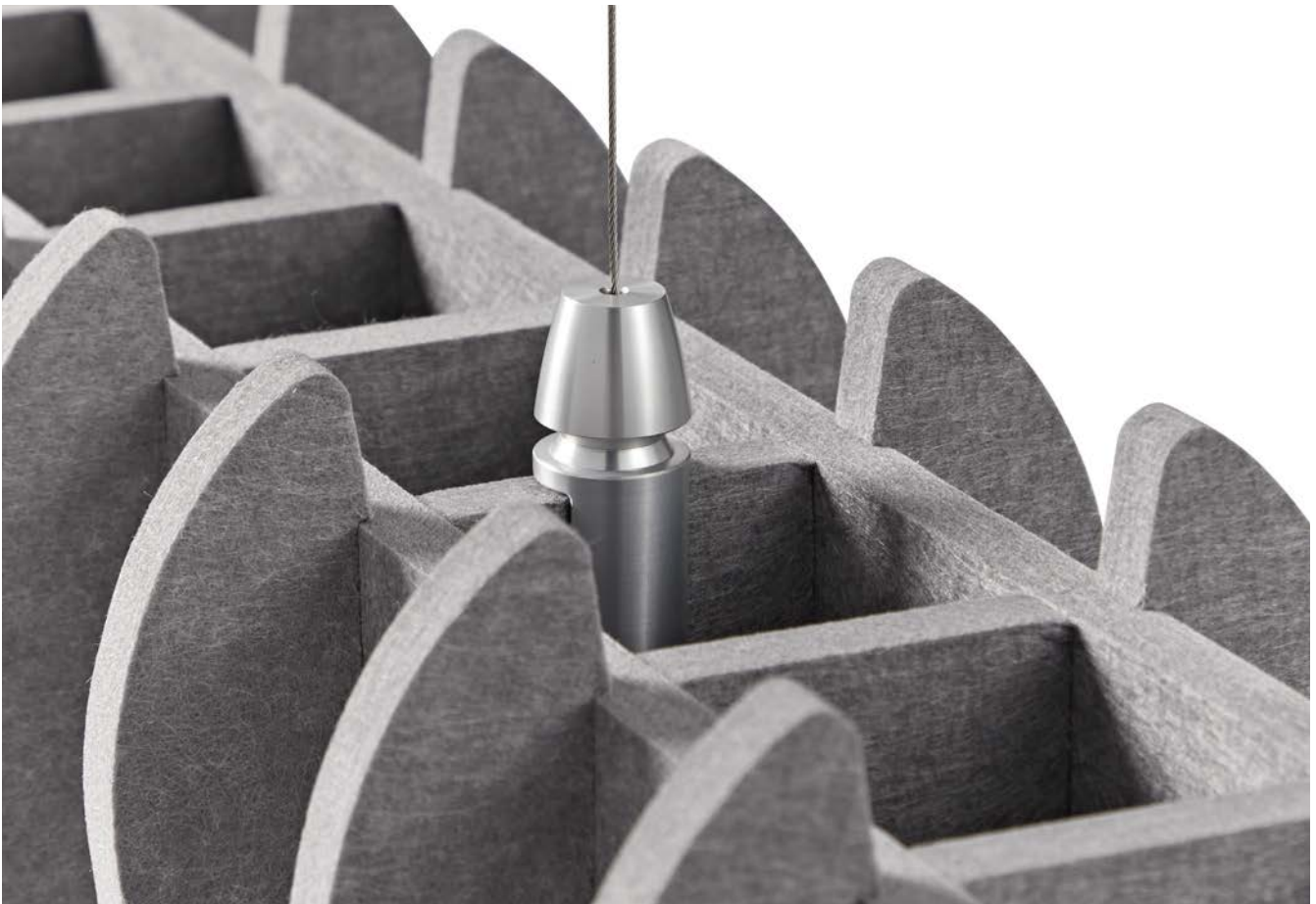


Color variation between dye lots is a natural characteristic of recycled PET felt due to the manufacturing process. Slight differences between samples and finished product may occur.

Installation

HyperFly™ Baffles may be hung from a variety of ceiling types using cable suspension. HyperFly Baffle mounting options include R2 Vertical Panel Grippers (quantities vary by baffle size). Lighting component will need to be assembled with baffle on site. For more information and instructions on installing the HyperFly Baffle Lit, please review the [HyperFly Baffle Lit Installation Guide](#).

Note: Kirei does not provide ceiling mounting hardware or cable/chain/rod.



R2 Vertical Panel Gripper Hardware

Custom Printing with Kirei Ink

HyperFly™ Baffles can be custom printed in house with Kirei Ink. Deliver endless customization possibilities from the natural beauty of botanicals to subtle or striking stonework. Pick from more than 50 prints over Kirei Ink's four collections or print your own custom color, pattern, graphic or material. We would love to work with you. Reach out and our team will be ready to assist!

Please note: Kirei requires written permission from the copyright holder in order to reproduce any copyrighted work. Professional photographs cannot be reproduced without written permission from the photographer. Keep in mind printing is not on the edges of the fully assembled product.



Product shown: HyperFly Baffles in Vanilla with Kirei Ink (Pine)



Product shown: HyperFly™ Baffle Lit in Coronet



Product shown: HyperFly™ Baffle Lit in Blush & HyperFly™ Cloud Lit in White



Product shown: HyperFly™ Baffle Lit in White and Mint



Product shown: HyperFly Baffle Lit in Vanilla with Kirei Ink (Pine)



Product shown: HyperFly™ Baffle Lit in White and Mint

kirei

Learn more and request your free sample:

619.236.9924 | sales@kireiusa.com

kireiusa.com