



kirei

H BAFFLES

Acoustic Baffles

Designed to absorb excessive noise while adding dimension and texture to the ceiling, the H Baffle helps create acoustically healthy and visually interesting spaces. It can be ceiling-hung at any height, in regular rows, or random groupings to create wayfinding or other visual design solutions. Custom lengths are available.

Product shown: H Baffles in Grey

Specs

Style	Standard (LxH)	Width	Weight	LF/Unit
40" Length Baffle	40" x 9"	3.31"	4.5 lbs	3.3
48" Length Baffle	48" x 9"	3.31"	5 lbs	4
72" Length Baffle	72" x 9"	3.31"	8 lbs	6
96" Length Baffle	96" x 9"	3.31"	10 lbs	8

All specs refer to singular products and not multiples unless specified. Due to the nature of the material, cutting and fabrication process, minor dimensional variances may occur. Custom options available upon request.

Designer	Kirei
Material Thickness	12mm
Material	100% PET (60% post-consumer recycled content)
Fire Rating	ASTM E84 Class A
Custom Options	Available upon request
Lead Time	Please refer to kireiusa.com for updated lead times.
VOC Emissions	CDPH (CA 01350) Compliant TVOC: <0.5 mg/m3

*Actual lead times are determined when the project goes into production and can change based on production schedule and all quantities, color and thicknesses being in stock at time of order. See [Kirei's Product Lead Time Disclosure](#) for more information.



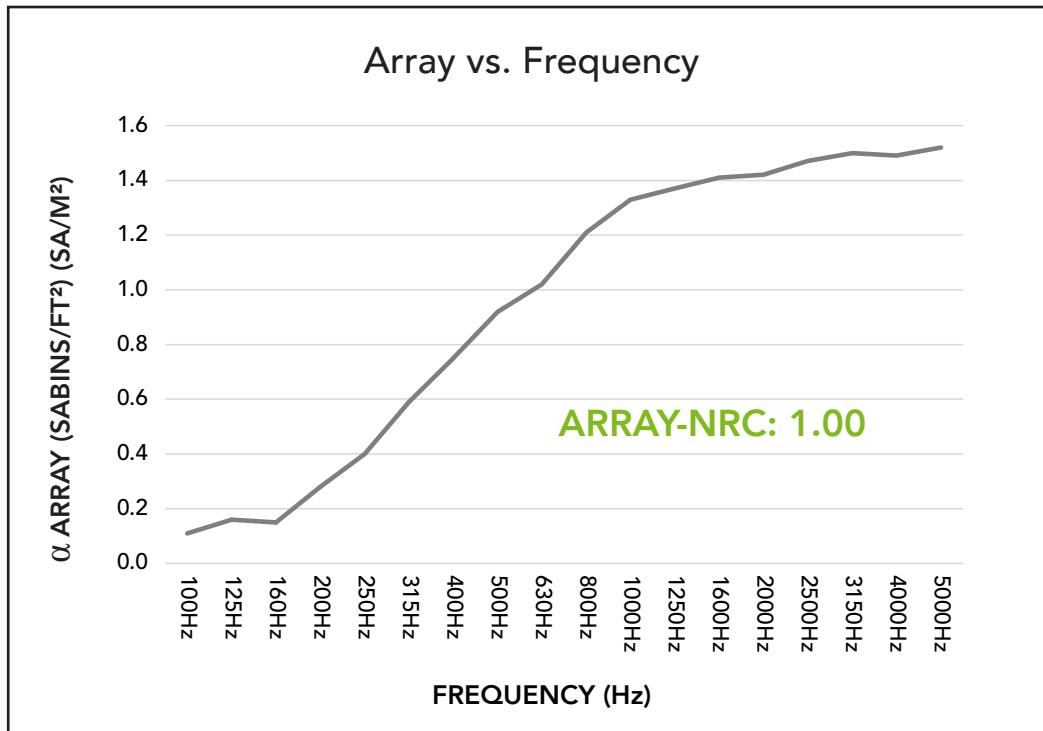
Acoustic Data - H Baffle

Sound Absorption

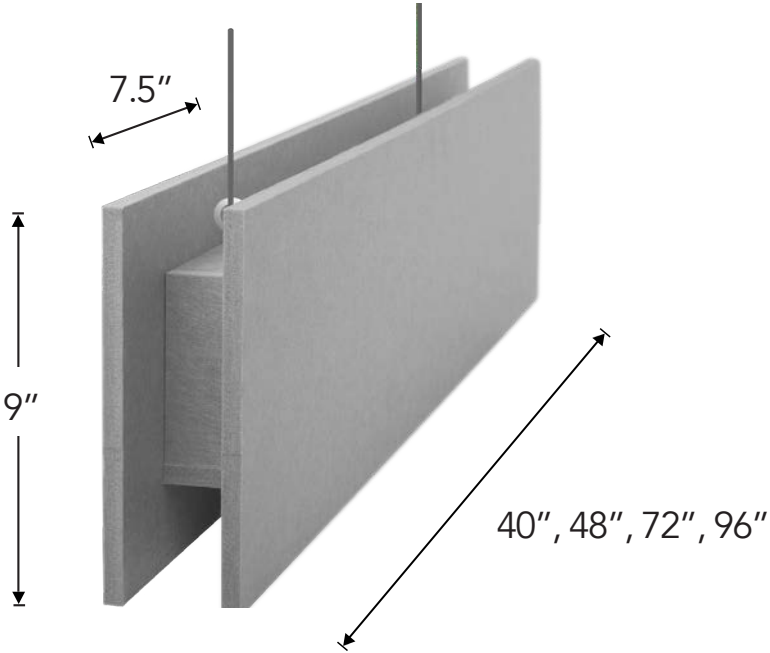
Frequency	125Hz	250Hz	500Hz	1000Hz	2000Hz	4000Hz	Array-NRC	Array-SAA
Abs. Coeff (No Air Gap)	0.16	0.40	0.92	1.33	1.42	1.49	1.00	1.01

Sabins per Array

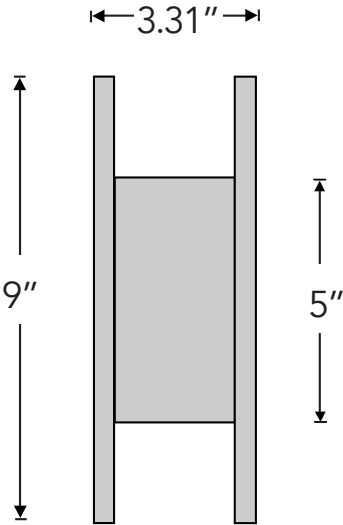
Frequency	125Hz	250Hz	500Hz	1000Hz	2000Hz	4000Hz
Sabins	9.89	25.42	58.02	83.85	89.34	94.00



Product Dimensions



Front View



Side View

Available Colors



Color variation between dye lots is a natural characteristic of recycled PET felt due to the manufacturing process. Slight differences between samples and finished product may occur.

Installation

H Baffles have two attachment points with a ¼"-20 female thread and come with your choice of eyebolts or ¼"-20 male threaded screw hardware. To install H Baffles, attach the specified ceiling mounting hardware and suspension cable/chain/rod/etc. with the appropriate connector at the bottom end. Once the ceiling hardware is installed, attach the connector to the supplied attachment hardware on the H Baffle. For instructions on how to install baffles in a variety of ways, see the [H Baffles Installation Guide](#).

Note: Kirei does not provide ceiling mounting hardware or cable/chain/rod.



Eyebolt Mounting Hardware

Custom Printing with Kirei Ink

H Baffles can be custom printed in house with Kirei Ink. We would love to work with you to print your own custom color, pattern, graphic or material. Reach out and our team will be ready to assist!

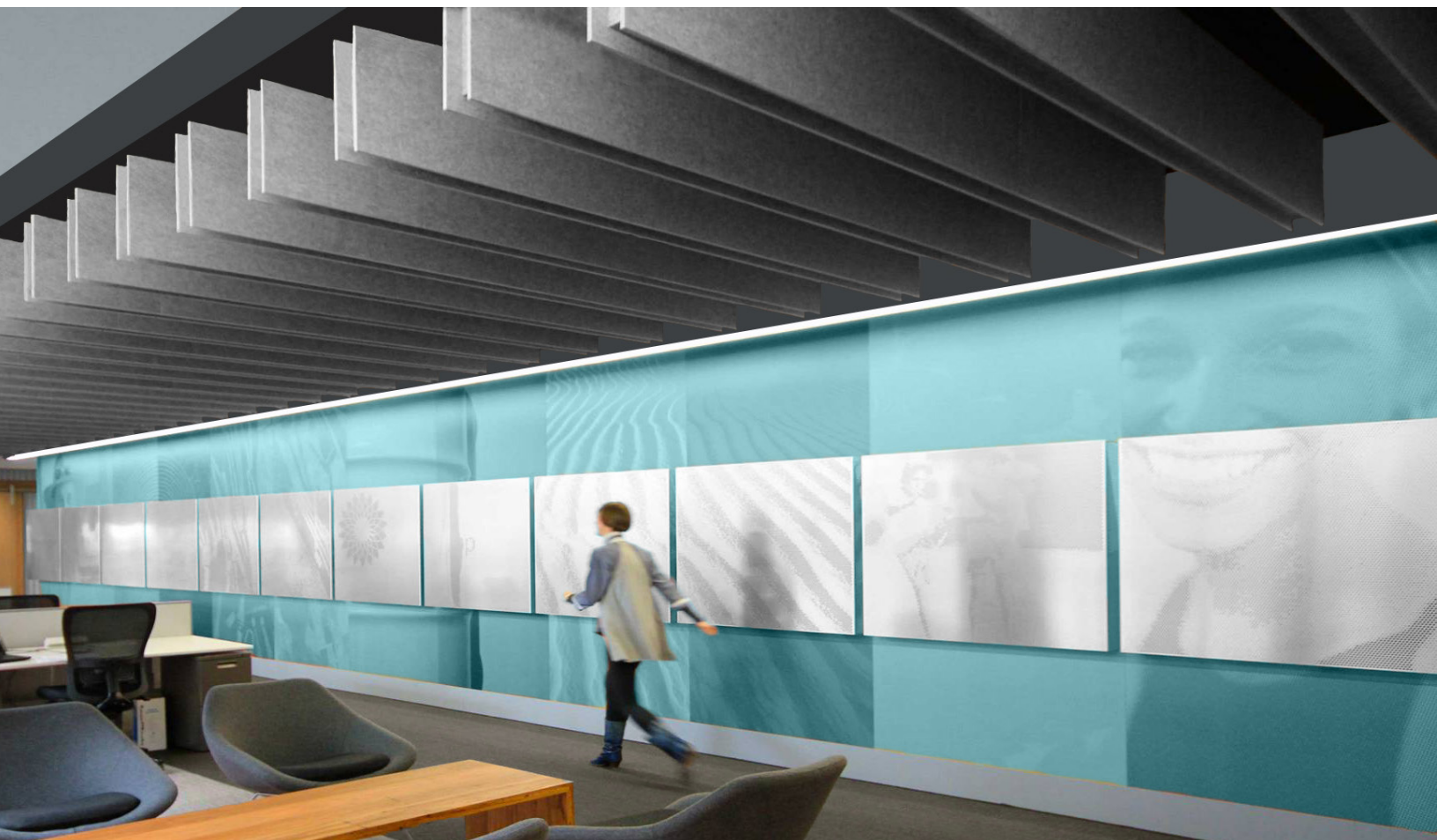
Please note: Kirei requires written permission from the copyright holder in order to reproduce any copyrighted work. Professional photographs cannot be reproduced without written permission from the photographer.



Product shown: H Baffles in Grey



Product shown: H Baffles in Black



Product shown: H Baffles in Smoke



Product shown: H Baffles in Grey

kirei

Learn more and request your free sample:

619.236.9924 | sales@kireiusa.com

kireiusa.com