



kirei

FOLD ACT

Acoustic Ceiling Tiles

Fold ACT add acoustic control and high-end design to standard drop ceilings. The unique modules install into an existing grid to add depth to ceilings while diffusing and absorbing sound. Fold ACT come in two styles - Mini and Micro - in both 2x2 and 2x4 tile sizes and are available in a variety of colors from neutral to vibrant tones. Customization is also available for your unique design concepts.

Product shown: Fold ACT Mini 2x4 in Pacific

Specs

Style	Standard (LxW)	Depth	Weight/Unit	SF/Unit
Mini ACT 2x2	23.6" x 23.6"	5.91"	5 lbs	4
Mini ACT 2x4	23.6" x 47.2"	5.91"	10 lbs	8
Micro ACT 2x2	23.6" x 23.6"	3.5"	5 lbs	4
Micro ACT 2x4	23.6" x 47.2"	3.5"	10 lbs	8

All specs refer to singular products and not multiples unless specified. Due to the nature of the material, cutting and fabrication process, minor dimensional variances may occur. Custom options available upon request. Fold ACT is sold as an individual unit with 3-4 peaks, depending on the style, and comes with a backer. It is folded and assembled prior to shipping for simple drop-in installation.

Designer	Kirei
Material Thickness	12mm
Material	100% PET (60% post-consumer recycled content)
NRC	Contact Kirei for this test data.
Fire Rating	ASTM E84 Class A
Custom Options	Available upon request
Lead Time	Please refer to kireiusa.com for updated lead times.
VOC Emissions	CDPH (CA 01350) Compliant TVOC: <0.5 mg/m3

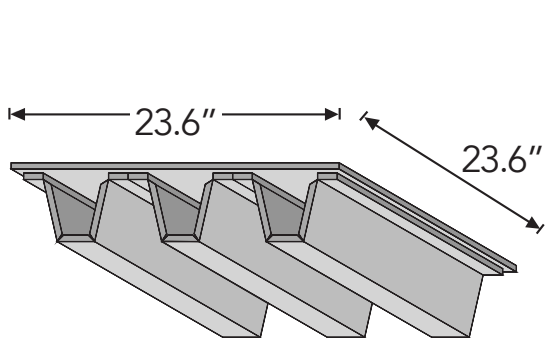
*Actual lead times are determined when the project goes into production and can change based on production schedule and all quantities, color and thicknesses being in stock at time of order. See [Kirei's Product Lead Time Disclosure](#) for more information.



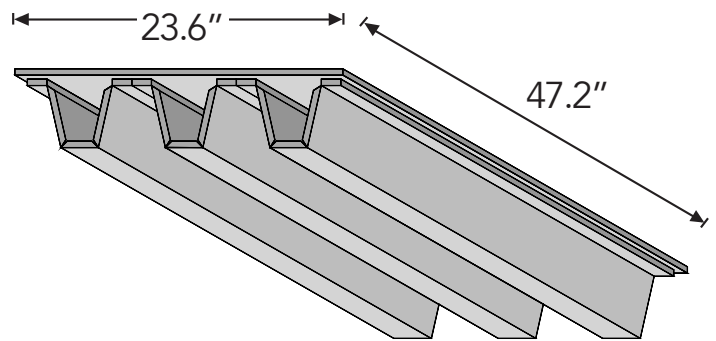
Declare.



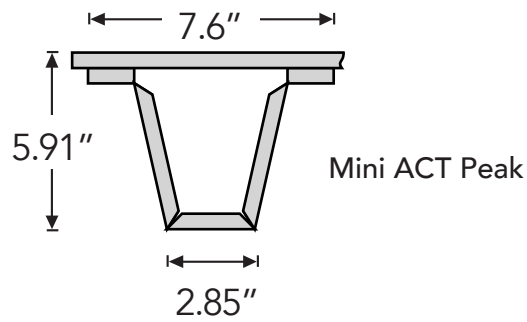
Product Dimensions



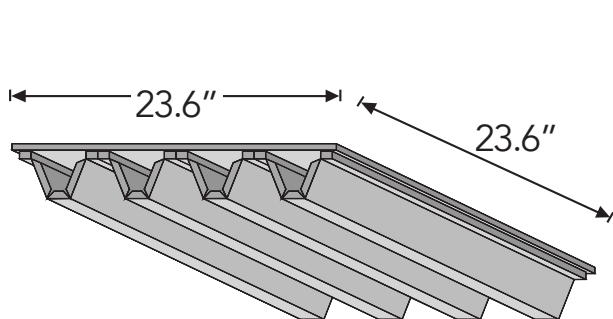
Mini ACT 2x2



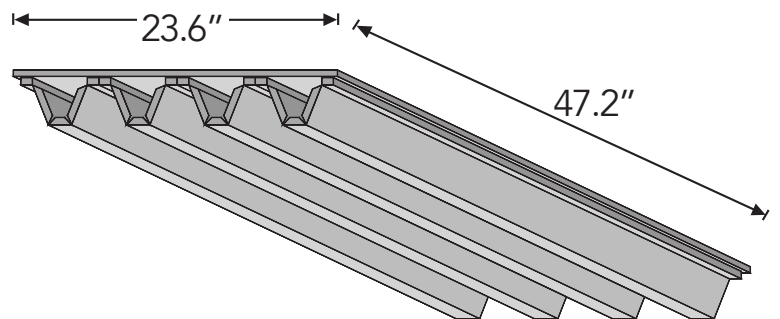
Mini ACT 2x4



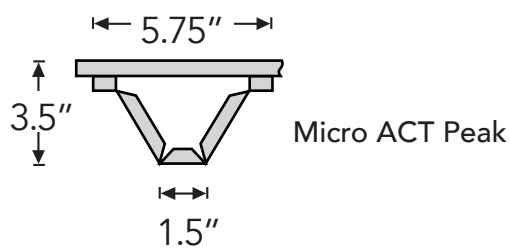
Mini ACT Peak



Micro ACT 2x2



Mini ACT 2x4



Micro ACT Peak

Available Colors



Color variation between dye lots is a natural characteristic of recycled PET felt due to the manufacturing process. Slight differences between samples and finished product may occur.

Installation

Fold ACT easily fit into a standard 15/16" ACT ceiling grid. Simply remove any existing ACT tile and install Fold ACT in its place. If you have a different ceiling grid, contact us for customization to match your needs. For more information, see the [Fold ACT Tiles Installation Guide](#).

Custom Printing with Kirei Ink

Fold ACT can be custom printed in house with Kirei Ink. We would love to work with you to print your own custom color, pattern, graphic or material. Reach out and our team will be ready to assist!

Please note: Kirei requires written permission from the copyright holder in order to reproduce any copyrighted work. Professional photographs cannot be reproduced without written permission from the photographer.



Product shown: Fold Tiles Micro in Duck Egg with Kirei Ink (Horizontal Gradient)



Product shown: Fold ACT Mini 2x4 in Pacific



Product shown: Fold ACT Mini 2x4 in Coronet



Product shown: Fold ACT Micro 2x2 and 2x4 in Pistachio

kirei

Learn more and request your free sample:

619.236.9924 | sales@kireiusa.com

kireiusa.com