



# kirei

## FLAT CLOUDS

### Acoustic Ceiling Solution

Flat Clouds provide visual depth and sound absorption to wall-challenged spaces. Use Flat acoustic clouds to reduce reverberation and help quiet noisy open-space environments, no matter the ceiling type.

Product shown: Flat Circle Clouds in Frost

# Specs

Style	Standard (LxH)	Thickness	Weight	SF/Unit
Circle Small Cloud	Diameter: 23"	0.47"	2 lbs	2.9
Circle Medium Cloud	Diameter: 33"	0.47"	6 lbs	5.9
Circle Large Cloud	Diameter: 46"	0.47"	8 lbs	11.5
Hex Cloud	36 in. x 31.18"	0.47"	6 lbs	5.8
Oval Cloud	94" x 46"	0.47"	16 lbs	26.9
Rectangle Small Cloud	46" x 23"	0.47"	4 lbs	7.3
Rectangle Large Cloud	94" x 46"	0.47"	16 lbs	30
Square Small Cloud	23" x 23"	0.47"	2 lbs	3.7
Square Large Cloud	46" x 46"	0.47"	8 lbs	14.7
Perforated Circle Cloud	Diameter: 46"	0.47"	8 lbs	11.5
Perforated Oval Cloud	94" x 46"	0.47"	16 lbs	30
Perforated Rectangle Small Cloud	46" x 23"	0.47"	4 lbs	7.3
Perforated Rectangle Large Cloud	94" x 46"	0.47"	16 lbs	30
Perforated Square Cloud	46" x 46"	0.47"	8 lbs	14.7

All specs refer to singular products and not multiples unless specified. Due to the nature of the material, cutting and fabrication process, minor dimensional variances may occur.

# Specs

Designer	Kirei
Material Thickness	12mm
Material	100% PET (60% post-consumer recycled content)
NRC	Contact Kirei for this test data.
Fire Rating	ASTM E84 Class A
Custom Options	Available upon request
Lead Time	Please refer to <a href="http://kireiusa.com">kireiusa.com</a> for updated lead times.
VOC Emissions	CDPH (CA 01350) Compliant TVOC: <0.5 mg/m3

\*Actual lead times are determined when the project goes into production and can change based on production schedule and all quantities, color and thicknesses being in stock at time of order. See [Kirei's Product Lead Time Disclosure](#) for more information.



**Declare.**



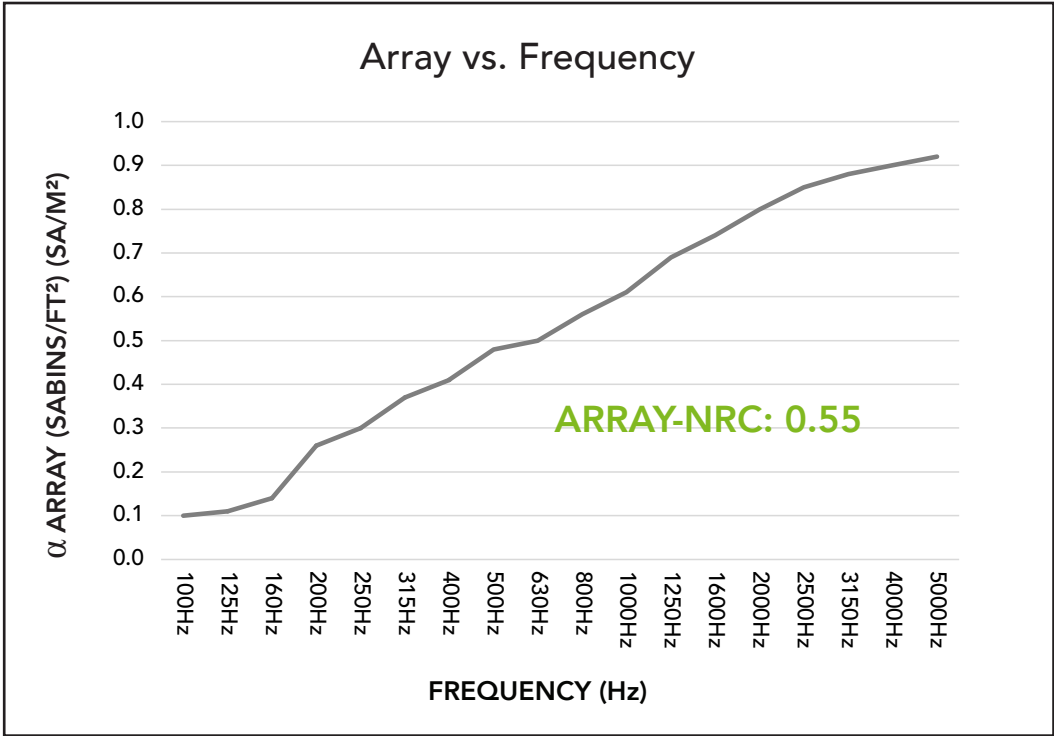
# Acoustic Data - Flat Cloud

## Sound Absorption

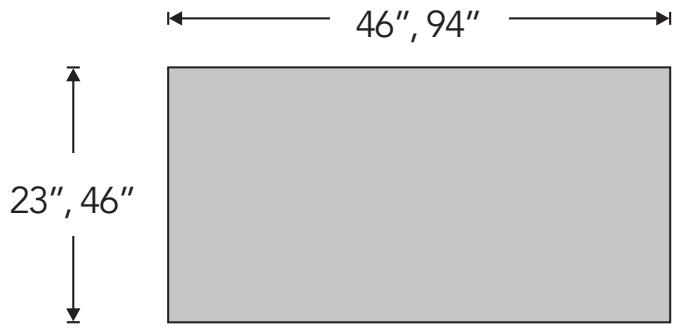
Frequency	125Hz	250Hz	500Hz	1000Hz	2000Hz	4000Hz	Array-NRC	Array-SAA
Abs. Coeff (No Air Gap)	0.11	0.30	0.48	0.61	0.80	0.90	0.55	0.55

## Sabins per Array

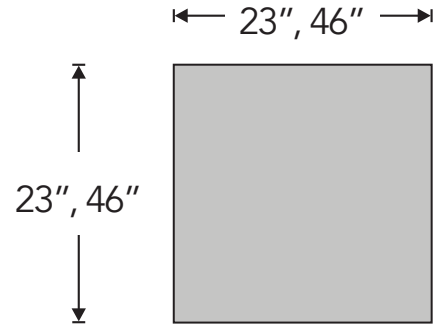
Frequency	125Hz	250Hz	500Hz	1000Hz	2000Hz	4000Hz
Sabins	12.26	33.57	54.25	69.15	90.66	101.39



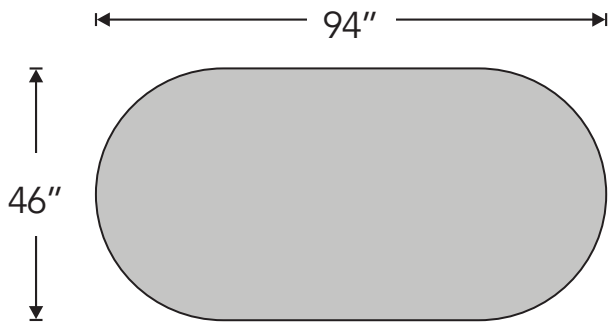
# Product Dimensions



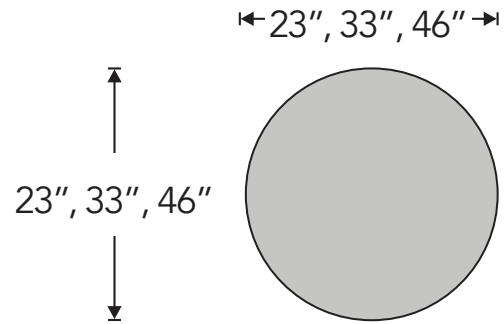
Rectangle Cloud



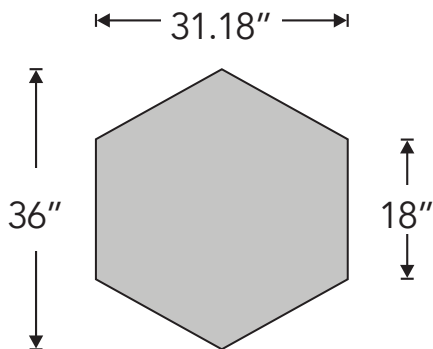
Square Cloud



Oval Cloud

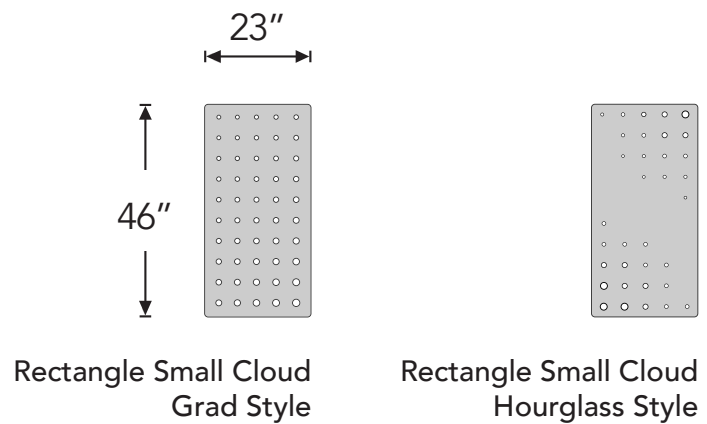
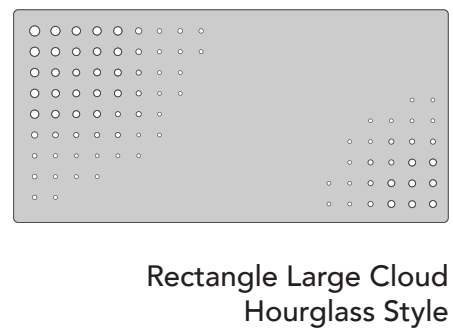
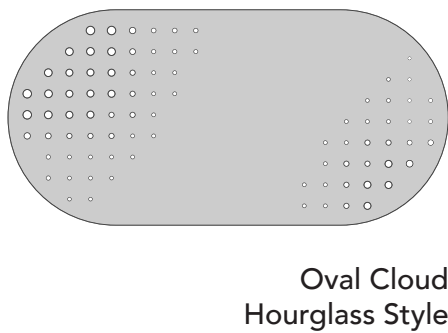
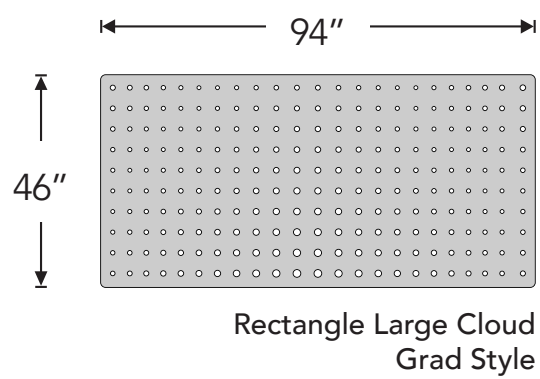
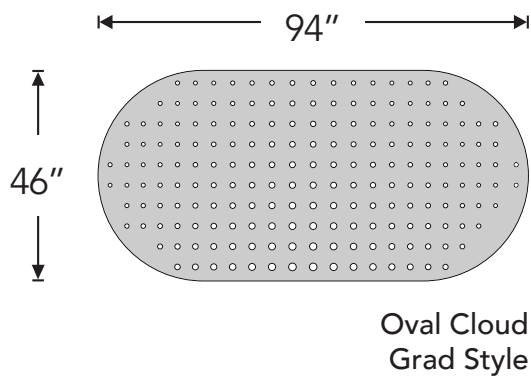
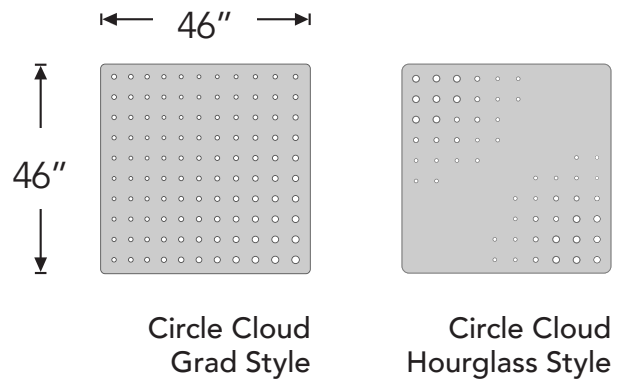
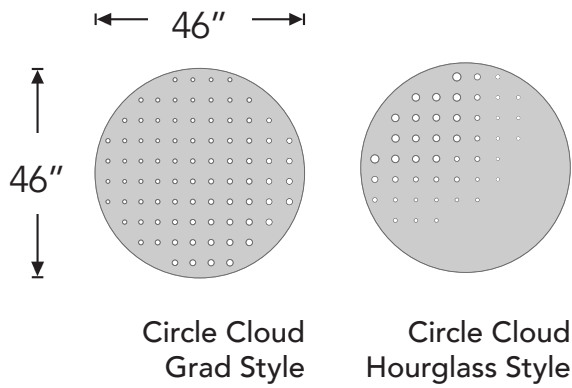


Circle Cloud



Hex Cloud

# Product Dimensions



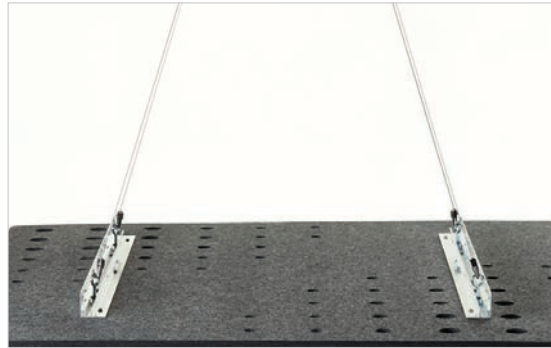
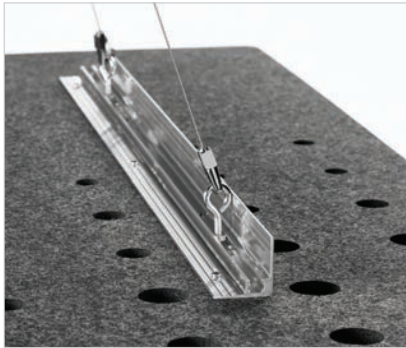
# Available Colors



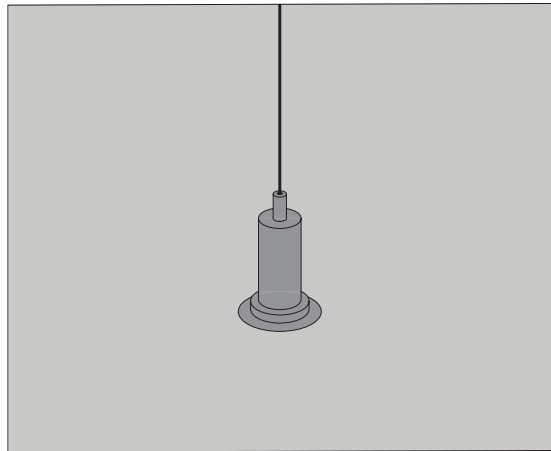
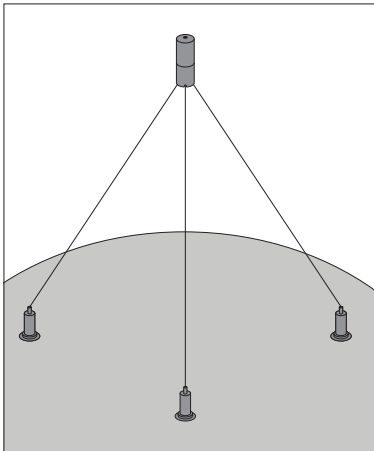
Color variation between dye lots is a natural characteristic of recycled PET felt due to the manufacturing process. Slight differences between samples and finished product may occur.

# Installation

Flat Clouds may be hung from a variety of ceiling types by using cable suspension or threaded rod. Cloud mounting options include our Griplock Cloud Cable Set (for Circle Clouds only) or Cloud Track flexible mounting system. Select your mounting option for looks or flexibility as needed. Ceiling mounting hardware and cables are not included. For more information, see the [Cloud Installation Guide](#).



Cloud Track Installation



Cable System Installation

## Custom Printing with Kirei Ink

Flat Clouds can be custom printed in house with Kirei Ink. We would love to work with you to print your own custom color, pattern, graphic or material. Reach out and our team will be ready to assist!

Please note: Kirei requires written permission from the copyright holder in order to reproduce any copyrighted work. Professional photographs cannot be reproduced without written permission from the photographer.



Product shown: Perforated Square Clouds in Black



Product shown: Custom Flat Clouds in White

# kirei

Learn more and request your free sample:

619.236.9924 | [sales@kireiusa.com](mailto:sales@kireiusa.com)

[kireiusa.com](http://kireiusa.com)