



kirei

ECHOSKY NEU

Acoustic Baffle System

A modular baffle system that assembles and installs with ease, EchoSky Neu connects through precision-engineered interlocks to form expansive, sound-absorbing installations. Available in 3 standard styles - Linear, Steppe, and Tide - EchoSky Neu invites creative elevation, bringing both design freedom and acoustic clarity to any space.

Product shown: EchoSky Nue Tide in Pacific

Specs

Style	Standard Dimensions (LxW)	Baffle Depth	Baffles/Rack	Weight/Unit	SF/Unit
Linear	72" x 36"	9"	5	13 lbs	18
Steppe	72" x 36"	9.6"	5	13 lbs	18
Tide	72" x 36"	15.1"	5	14 lbs	18

All specs refer to singular products and not multiples unless specified. Due to the nature of the material, cutting and fabrication process, minor dimensional variances may occur. Custom options available upon request. See configurations for design options.

Designer	Kirei/Michael DiTullo
Material	100% PET (60% post-consumer recycled content)
Fire Rating	ASTM E84 Class A
Custom Options	Available upon request
Lead Time	Please refer to kireiusa.com for updated lead times.
VOC Emissions	CDPH (CA 01350) Compliant TVOC: <0.5 mg/m ³



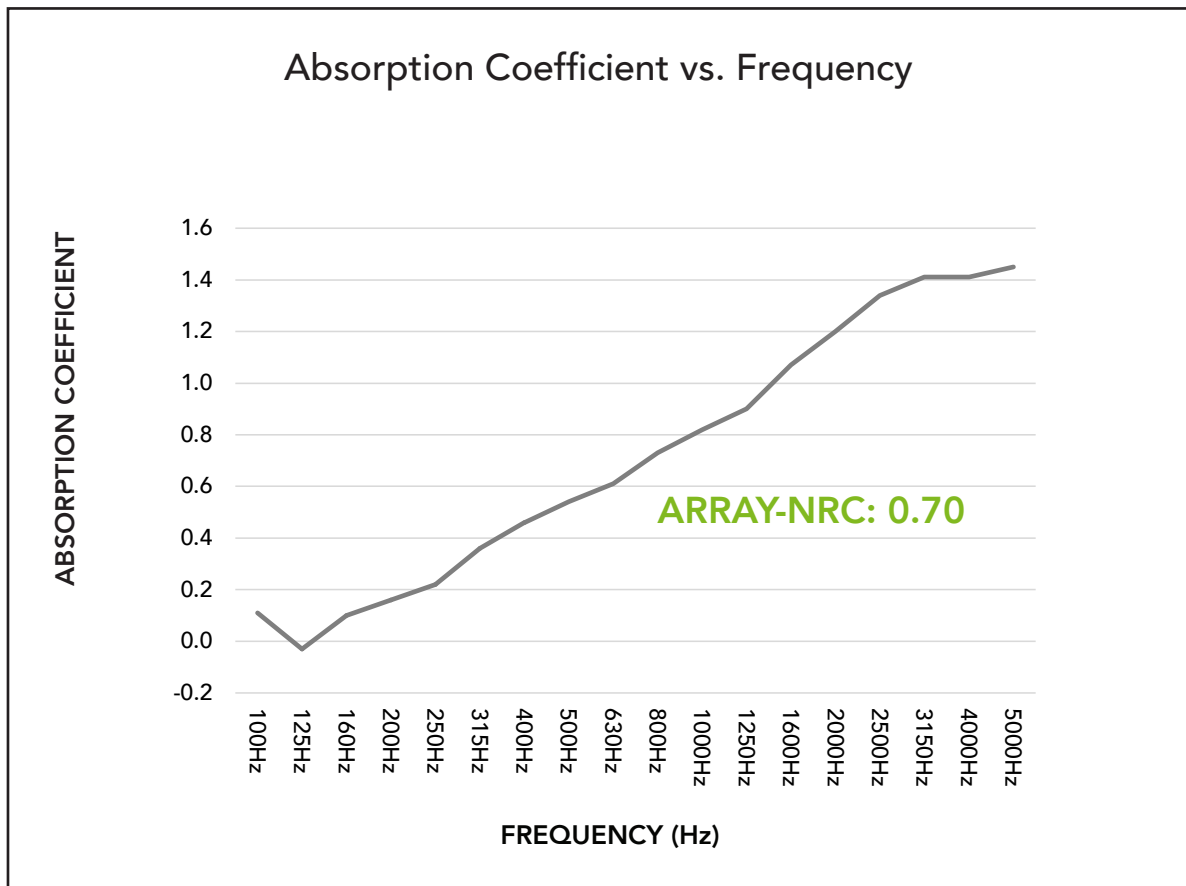
*Actual lead times are determined when the project goes into production and can change based on production schedule and all quantities, color and thicknesses being in stock at time of order. See [Kirei's Product Lead Time Disclosure](#) for more information.

Acoustic Data

Sound Absorption

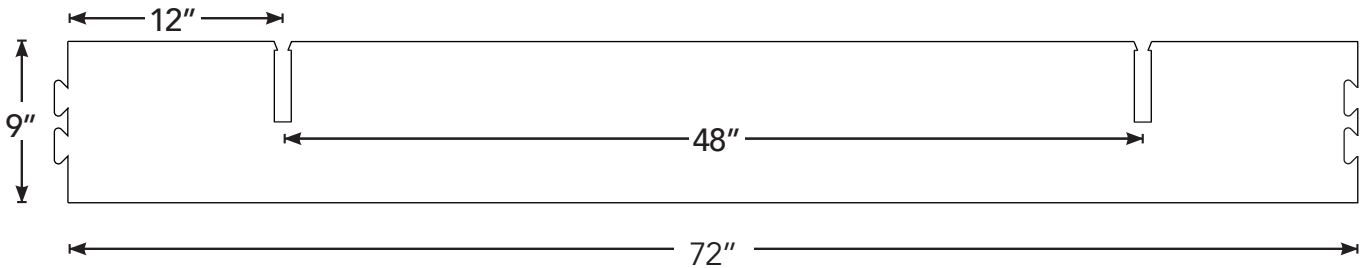
Frequency	250Hz	500Hz	800Hz	1000Hz	2000Hz	4000Hz	Array-NRC
m ² /Object	0.22	0.54	0.73	0.82	1.2	1.41	0.70

Acoustic data is measured in Absorption Coefficient per square foot of material. For more information, see the [full acoustic test](#).

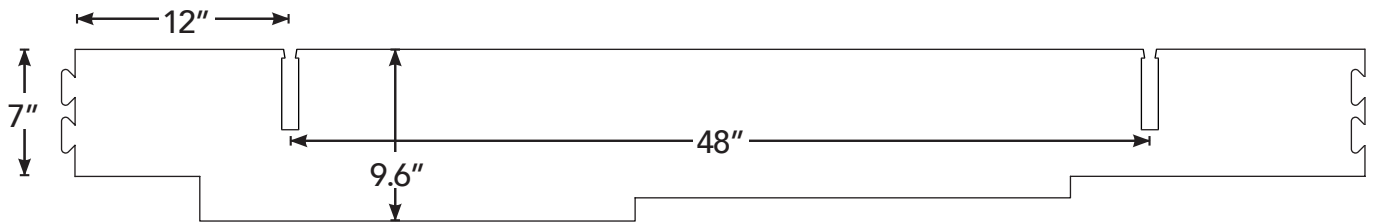


Product Dimensions - Connectors

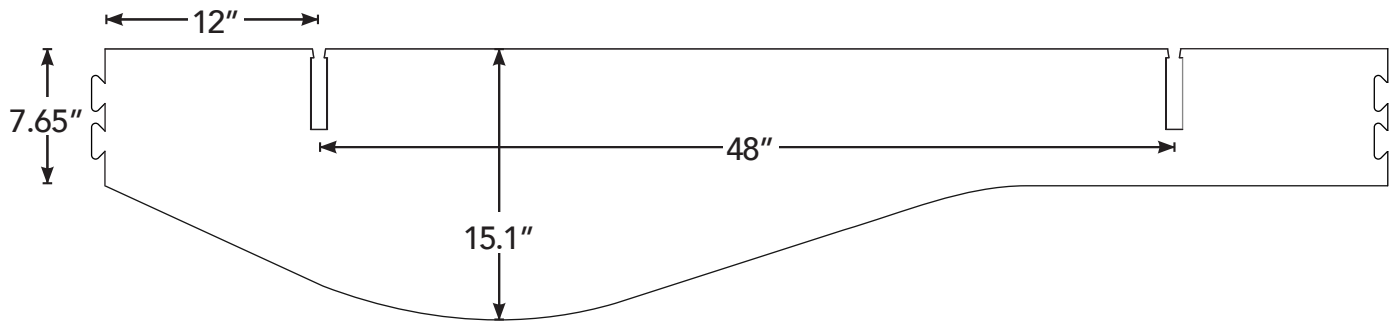
Linear



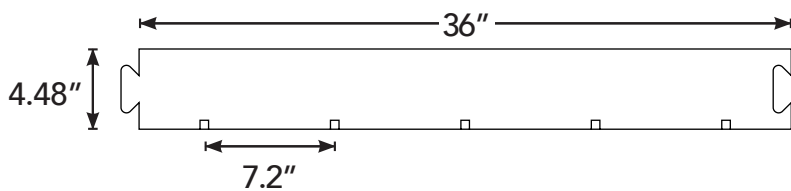
Steppe



Tide

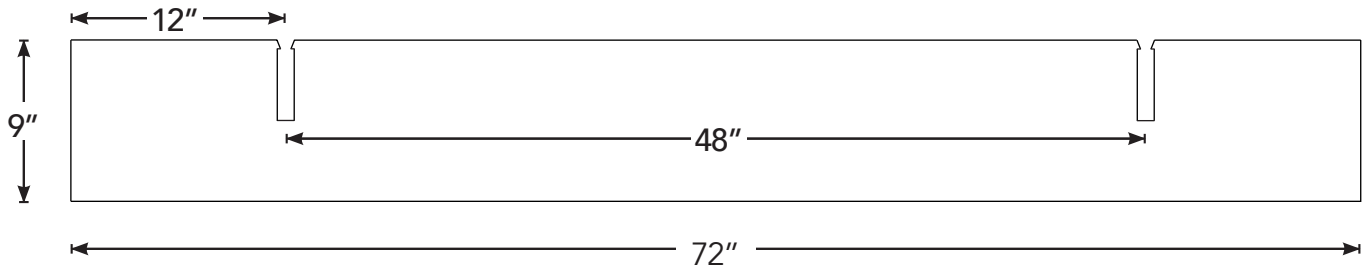


Connector Beam

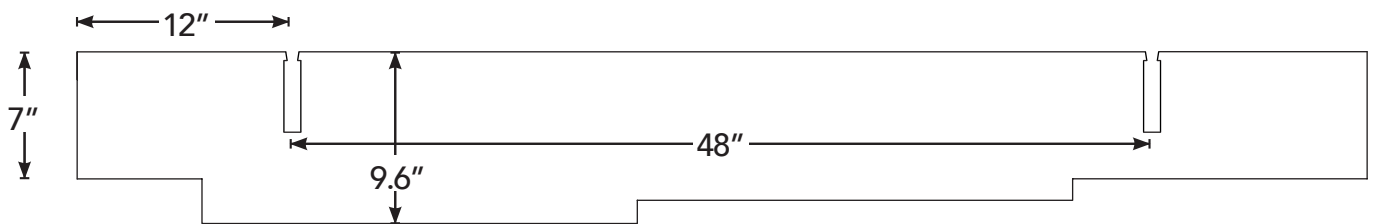


Product Dimensions - No Connectors

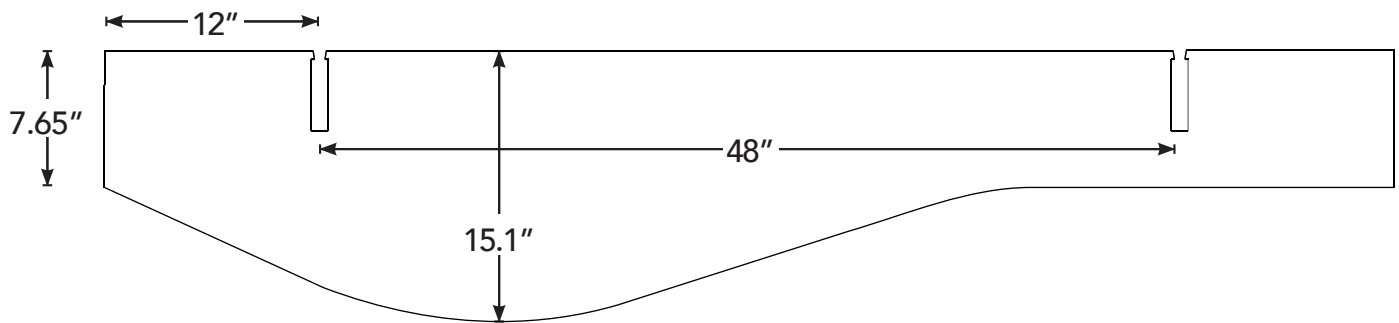
Linear



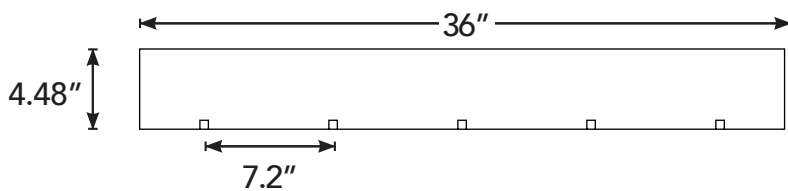
Steppe



Tide



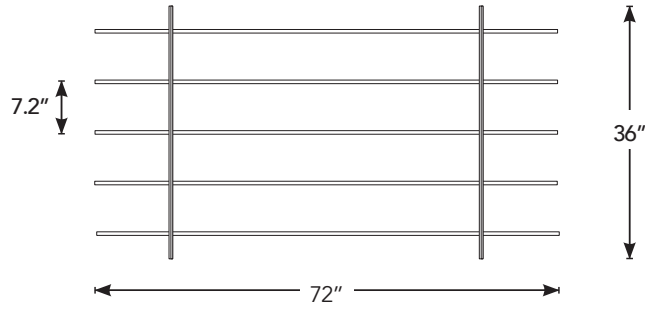
Connector Beam



Installation Dimensions

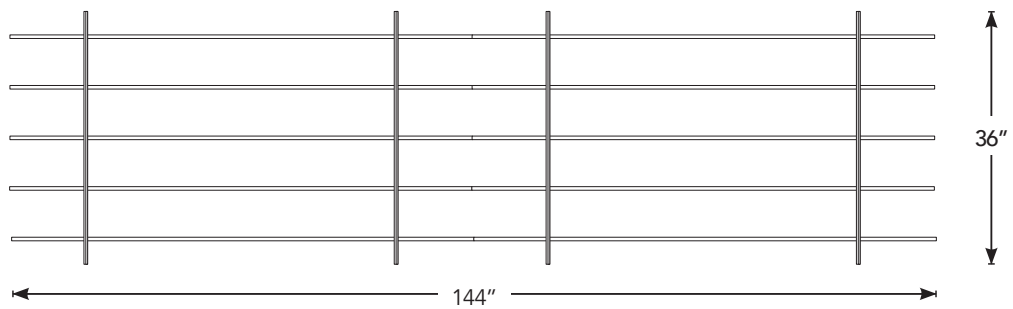
EchoSky Neu

1x1 Configuration



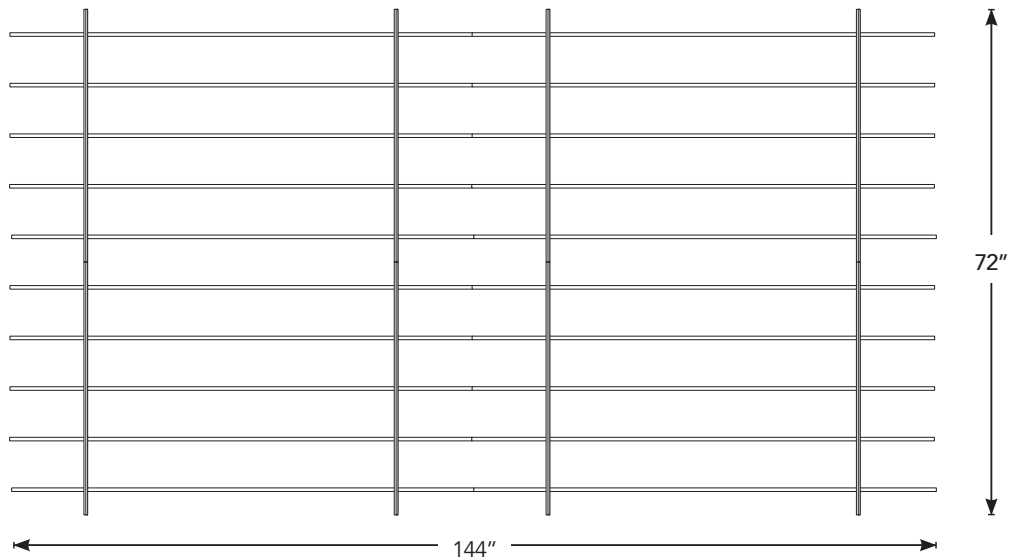
Top

2x1 Configuration



Top

2x2 Configuration

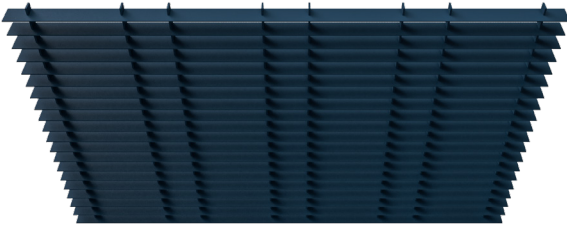


Top

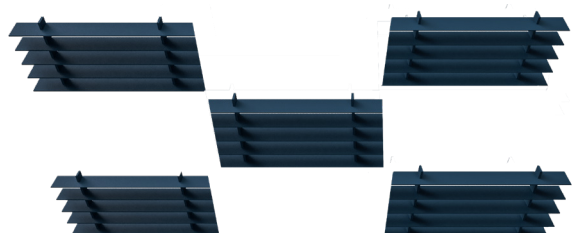
Installation Methods

The installation methods below illustrate potential layout options for the EchoSky Neu Baffle System. Final installation style should be noted in the specification for the installer.

Linear

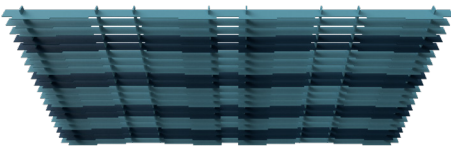


Connected Install



Non-Connected Install

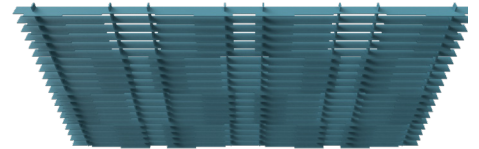
Steppe



Book Install

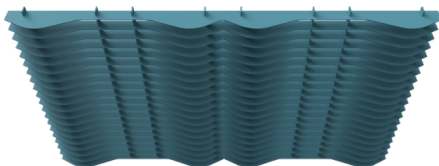


Tile Install

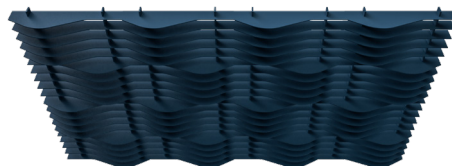


Mirror Install

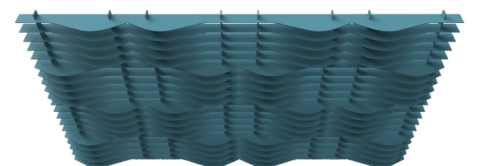
Tide



Book Install



Tile Install



Mirror Install

Available Colors



Color variation between dye lots is a natural characteristic of recycled PET felt due to the manufacturing process. Slight differences between samples and finished product may occur.

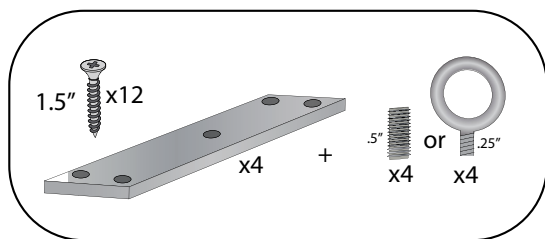
Installation

EchoSky Neu may be hung from a variety of ceiling types using cable suspension. EchoSky Neu is a four-point mounted baffle system with flat bracket hardware. Baffles ship flat and are slot assembled on-site. For more information, see the [EchoSky Neu Installation Guide](#).

Note: Kirei does not provide ceiling mounting hardware or cable/chain/rod.



Flat Bracket with Eye Bolt



Included Hardware:

4 Flat Brackets

12 Screws

4 Eyebolts or Set Screws

Connecting Units

EchoSky Neu units are designed to be joined together to achieve different installation styles. This is done using baffle blades with a press-fit connection for minimal seams.

Units can be ordered without connectors, which will need to be noted in the specification and order.





Product shown: EchoSky Neu - Tide in Mint



Product shown: EchoSky Neu - Linear in Navy



Product shown: EchoSky Neu - Steppe in White Wash Wood on Frost with Mint Rails

kirei

Learn more and request your free sample:

619.236.9924 | sales@kireiusa.com

kireiusa.com

All images in this spec sheet are supplied by Woven Image®.