

A modern office desk with a laptop, a coffee cup, and a small plant, set against a wall of reddish-brown acoustic tiles. The desk is white with a wooden leg. The wall is covered in square acoustic tiles with a beveled edge. A large white diagonal shape is overlaid on the left side of the image.

kirei

BALANCE TILES

Acoustic Tiles

Balance Tiles are an easy, elegant acoustic fix for nearly any space. These thick bevel-edged tiles add distinct patterning and color, while absorbing sound. Mix and match the different tile sizes and colors to create eye-catching designs.

Product shown: Balance Tiles in Blush

Specs

Style	Standard (LxH)	Thickness	Weight/Box	Qty/Box	SF/Box
325 Tile	12.8 in. x 12.8 in.	0.94 in.	9.6 lbs	16	18.2
650 Tile	25.6 in. x 12.8 in.	0.94 in.	9.6 lbs	8	18.2
1300 Tile	51.2 in. x 12.8 in.	0.94 in.	8 lbs	4	18.2

All specs refer to singular products and not multiples unless specified. Due to the nature of the material, cutting and fabrication process, minor dimensional variances may occur. Custom options available upon request.

Designer	Woven Image
Material	100% PET (60% post-consumer recycled content)
Fire Rating	ASTM E84 Class A
Custom Options	Available upon request
Lead Time	Please refer to kireiusa.com for updated lead times.
VOC Emissions	CDPH (CA 01350) Compliant TVOC: <0.5 mg/m3

*Actual lead times are determined when the project goes into production and can change based on production schedule and all quantities, color and thicknesses being in stock at time of order. See [Kirei's Product Lead Time Disclosure](#) for more information.

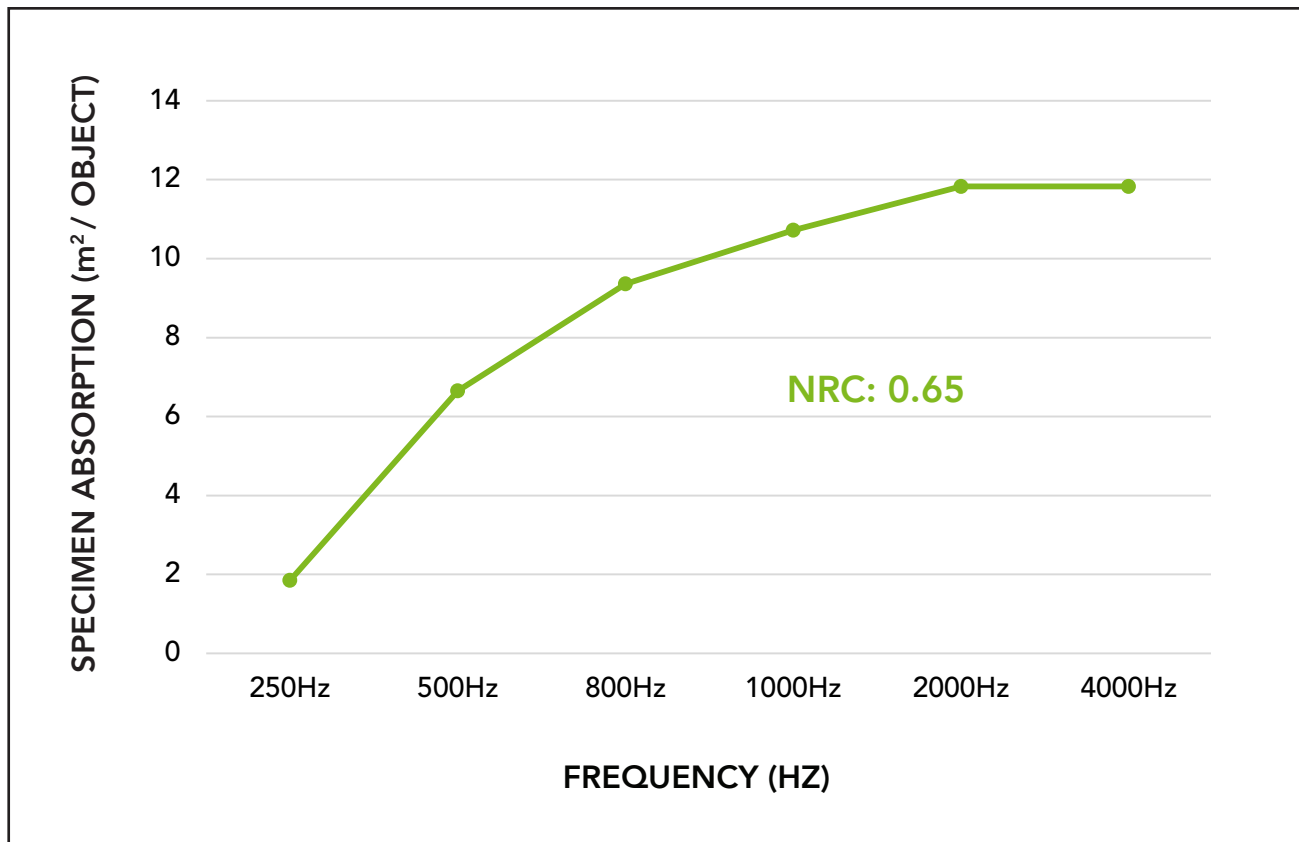


Acoustic Data

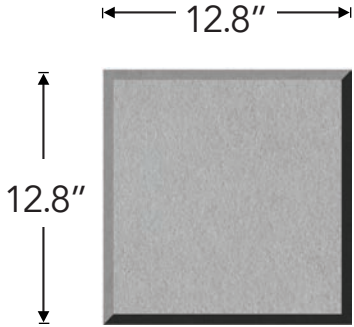
Sound Absorption

Frequency	250Hz	500Hz	800Hz	1000Hz	2000Hz	4000Hz	NRC
m ² /Object	1.85	6.65	9.36	10.72	11.83	11.83	0.65 (no air gap)
m ² /Object (20mm air gap)	2.59	8.13	11.33	12.57	12.57	12.20	0.75 (20mm air gap)
m ² /Object (50mm air gap)	4.93	10.96	13.18	13.06	11.70	11.95	0.85 (50mm air gap)
m ² /Object (2" fiberglass)	6.97	7.77	7.35	6.97	6.88	7.01	1.05 (2" fiberglass)

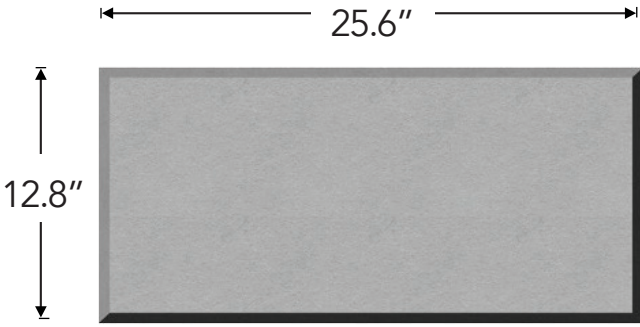
Acoustic data is measured in Sabins per 24mm EchoPanel PET.



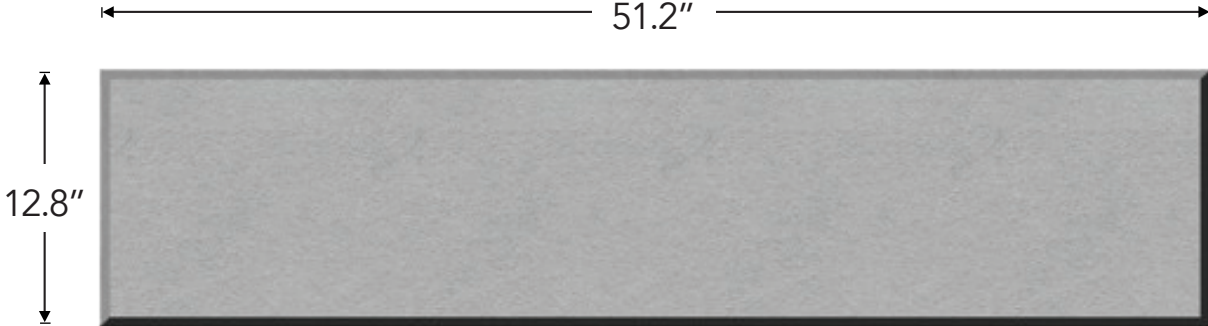
Product Dimensions



325



650



1300

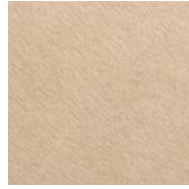
Available Colors



Wine 009
24mm



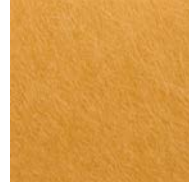
Cinnamon 006
24mm



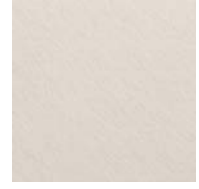
Vanilla 028
24mm



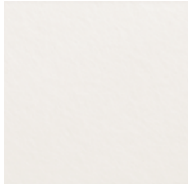
Blush 030
24mm



Ochre 004
24mm



Cream 048
24mm



White 033
24mm



Mushroom 026
24mm



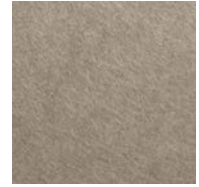
Frost 001
24mm



Grey 023
24mm



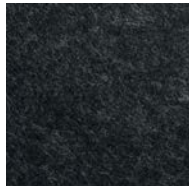
Sage 042
24mm



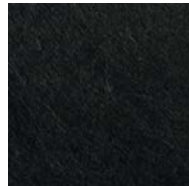
Pebble 022
24mm



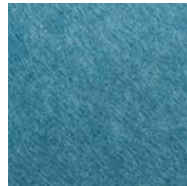
Slate 025
24mm



Black 035
24mm



Onyx 036
24mm



Pacific 045
24mm



Olive 021
24mm



Orchid 011
24mm



Navy 019
24mm



Ivy 015
24mm

Color variation between dye lots is a natural characteristic of recycled PET felt due to the manufacturing process. Slight differences between samples and finished product may occur.

Installation

When mounting, use standard construction adhesives (e.g. Liquid Nails/Titebond - NOT PVA glue). Clean and prepare surface per adhesive guidelines. Spread adhesive evenly on panel back, leaving 2" space at edges. Adhere to wall surface, providing bracing to hold material against surface per adhesive open time/instructions. For more information, see the [Balance Tiles Installation Guide](#).

Custom Printing with Kirei Ink

Balance Tiles can be custom printed in house with Kirei Ink. We would love to work with you to print your own custom color, pattern, graphic or material. Reach out and our team will be ready to assist!

Please note: Kirei requires written permission from the copyright holder in order to reproduce any copyrighted work. Professional photographs cannot be reproduced without written permission from the photographer.



Product shown: Diamond Tile, Racetrack Path Tile, and Barcode Tile in Kirei Ink (Travertine)



Product shown: Balance Tiles in Ivy



Balance Tiles 1300 in Wine

kirei

Learn more and request your free sample:

619.236.9924 | sales@kireiusa.com

kireiusa.com

All images in this spec sheet are supplied by Woven Image®.