



kirei

A BAFFLE LIT

Acoustic Baffles
with BEAM Lighting by RESOLUTE

The A Baffle adds dimension and sound control to open ceilings, available with integrated lighting or without. Its A-shaped profile creates a flat, clean bottom plane that brings depth and structure to the fifth wall. Suspend A Baffles in rows or groupings to create layered ceiling designs that help reduce reverberation. Custom configurations available.

Product shown: A Baffle Lit in Mint

Specs

Style	Standard (LxH)	Width	Weight (Single Source)	Weight (Direct/Indirect)	LF/Unit
40" A Baffle Lit	40" x 7"	5.25"	3.8 lbs	4.9 lbs	3.3
48" A Baffle Lit	48" x 7"	5.25"	4.7 lbs	6.1 lbs	4
96" A Baffle Lit	96" x 7"	5.25"	9.2 lbs	12.1 lbs	8

All specs refer to singular products and not multiples unless specified. Due to the nature of the material, cutting and fabrication process, minor dimensional variances may occur.

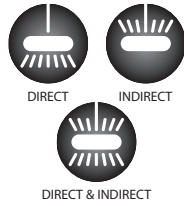
Designer	Kirei x RESOLUTE
Material Thickness	12mm
Material	100% PET (60% post-consumer recycled content)
Fire Rating	ASTM E84 Class A
Custom Options	Available upon request
Lead Time	Please refer to kireiusa.com for updated lead times.
VOC Emissions	CDPH (CA 01350) Compliant TVOC: <0.5 mg/m3

*Actual lead times are determined when the project goes into production and can change based on production schedule and all quantities, color and thicknesses being in stock at time of order. See [Kirei's Product Lead Time Disclosure](#) for more information.



Lighting Features - BEAM

Lighting Applications



BEAM works with A Baffle for direct and indirect lighting applications and mounts to Kirei baffles using provided hardware.

Color Temperature

3000K

CRI

95+

Wattage

6.9W/ft

Lumen output

580 lm/ft

Lens

Opal Diffusion

UL Rating

UL Listed. Suitable for Dry and Damp locations

Material

Steel construction with matte silver powder coat finish

Driver

Remote Mount Driver

Dimming Compatibility

0-10V and Triac/ELV; Lutron available by request

Custom Lumen output, color temperature, and finish available upon request.

See below for electrical values per A Baffle Lit size offered.

Specifications (Lumens, Wattage)

40" - BEAM 265

Single source: 966 lm, 11.52W
Double source: 1932 lm, 23.04W

48" - BEAM 345

Single source: 1353 lm, 16.1W
Double source: 2706 lm, 32.2W

96" - 2x BEAM 345

Single source: 2706 lm, 32.2W
Double source: 5412 lm, 64.4W

Acoustic Data

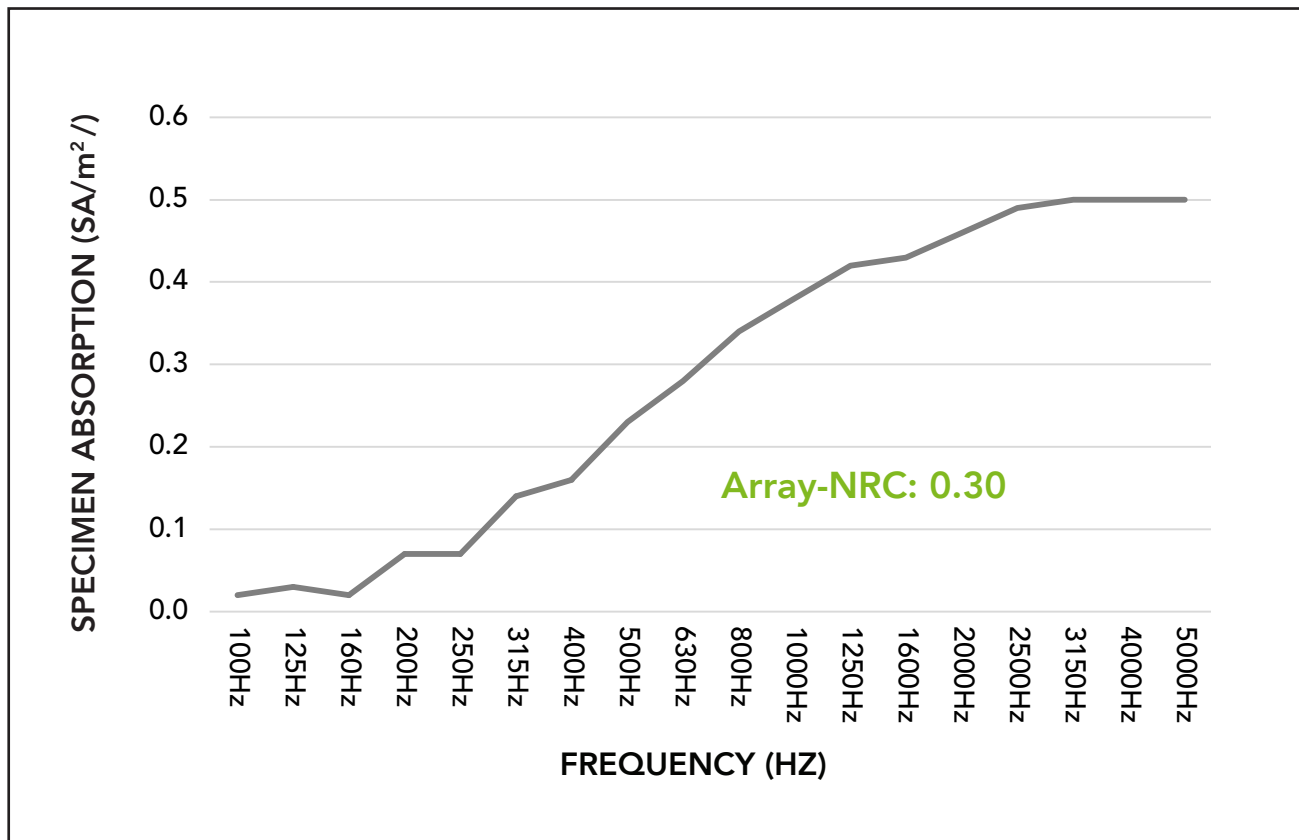
Sound Absorption

Frequency	125Hz	250Hz	500Hz	1000Hz	2000Hz	4000Hz	Array-NRC	Array-SAA
α array (Sabins/ft ²) (SA/m ²)	0.03	0.07	0.23	0.38	0.46	0.50	0.30	0.29

Acoustic data is measured in Sabins per A Baffle mounted approximately 2ft 6" off the ground, 2ft 9" apart, center to center.

Sabins per Array

Frequency	125Hz	250Hz	500Hz	1000Hz	2000Hz	4000Hz
Sabins	4.27	11.60	37.62	61.20	74.95	82.02



Acoustic Data

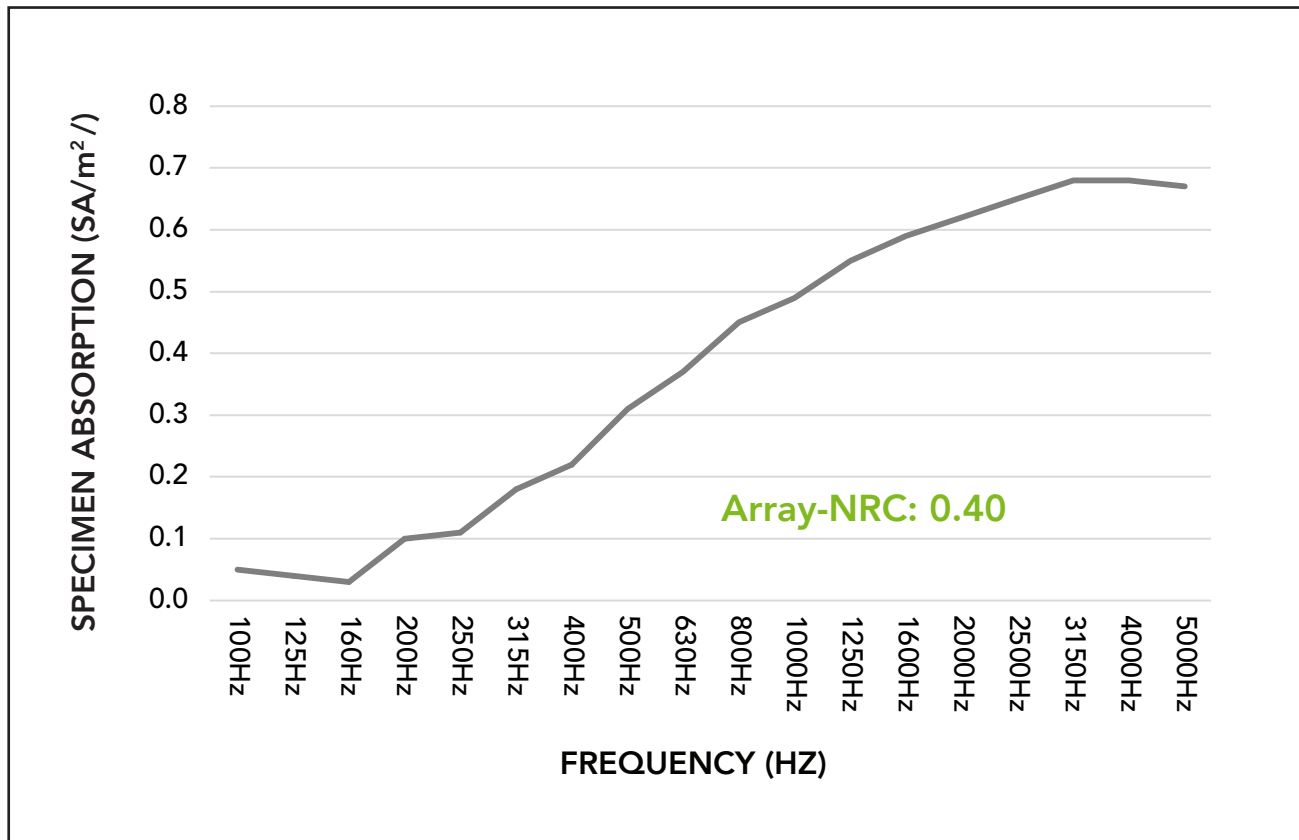
Sound Absorption

Frequency	125Hz	250Hz	500Hz	1000Hz	2000Hz	4000Hz	Array-NRC	Array-SAA
α array (Sabins/ft ²) (SA/m ²)	0.04	0.11	0.31	0.49	0.62	0.68	0.40	0.39

Acoustic data is measured in Sabins per A Baffle mounted approximately 2ft 6" off the ground, 2ft apart, center to center.

Sabins per Array

Frequency	125Hz	250Hz	500Hz	1000Hz	2000Hz	4000Hz
Sabins	5.11	12.61	36.63	58.84	74.08	81.38



Acoustic Data

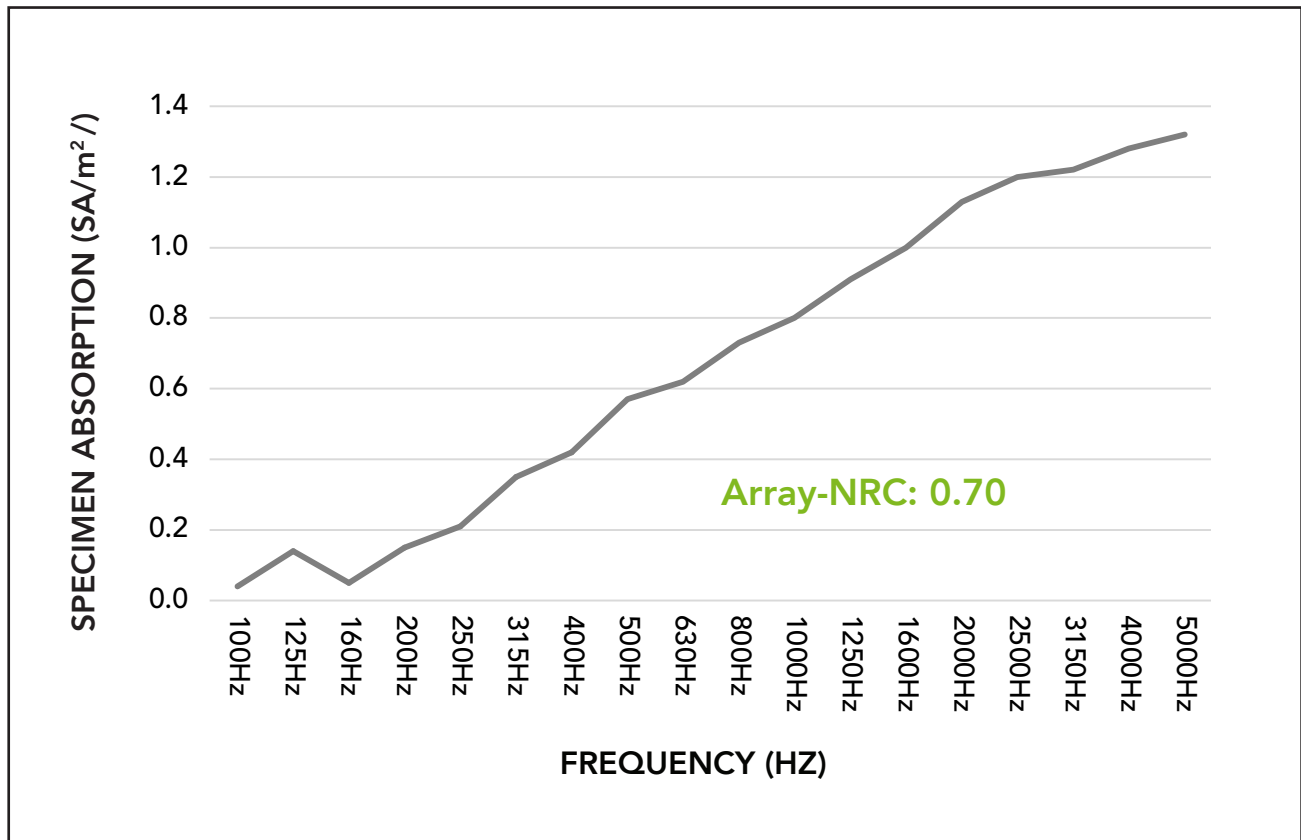
Sound Absorption

Frequency	125Hz	250Hz	500Hz	1000Hz	2000Hz	4000Hz	Array-NRC	Array-SAA
α array (Sabins/ft ²) (SA/m ²)	0.14	0.21	0.57	0.80	1.13	1.28	0.70	0.67

Acoustic data is measured in Sabins per A Baffle mounted approximately 2ft 6" off the ground, 1ft apart, center to center.

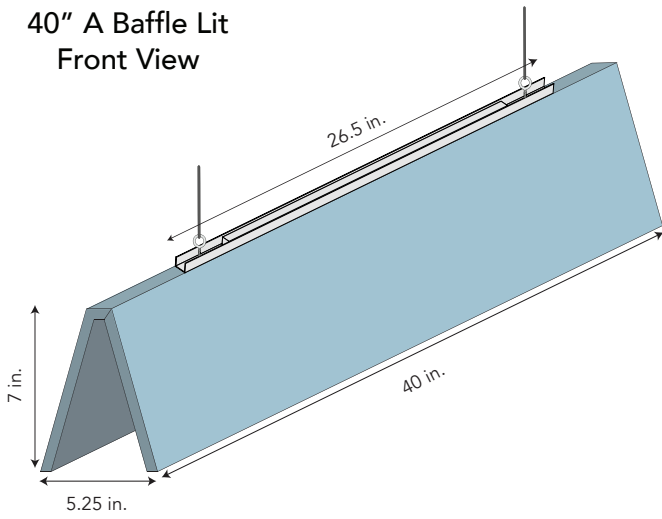
Sabins per Array

Frequency	125Hz	250Hz	500Hz	1000Hz	2000Hz	4000Hz
Sabins	8.55	12.73	33.97	48.08	67.61	77.01

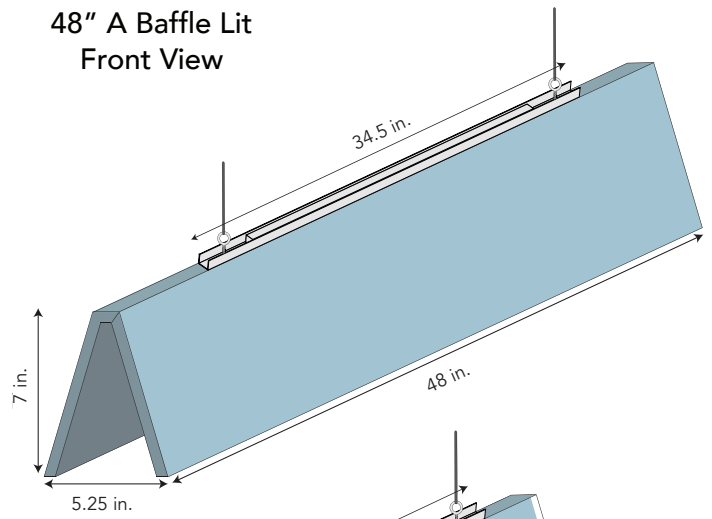


Product Dimensions

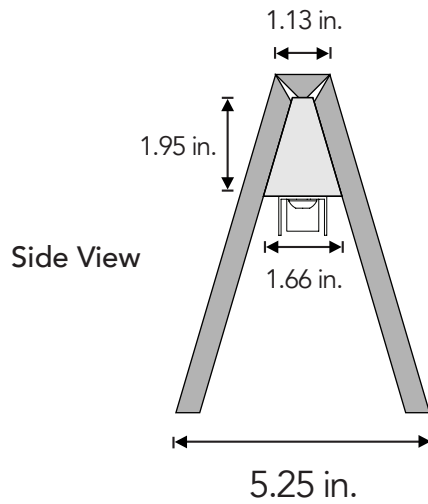
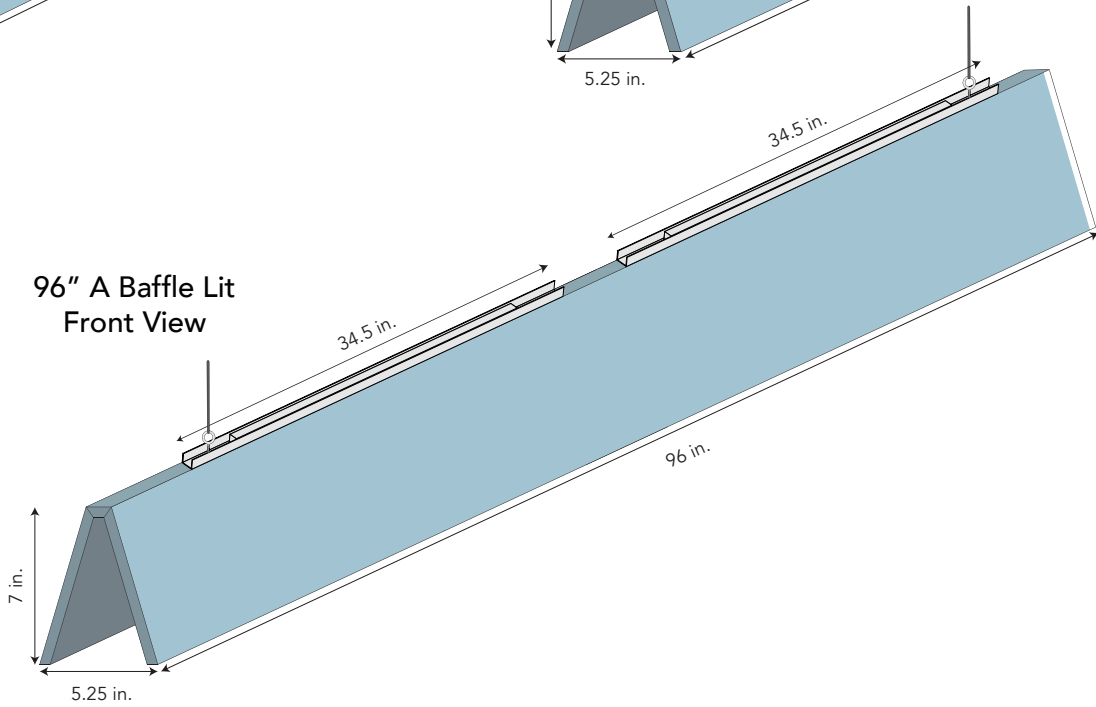
40" A Baffle Lit
Front View



48" A Baffle Lit
Front View



96" A Baffle Lit
Front View



Available Colors



Color variation between dye lots is a natural characteristic of recycled PET felt due to the manufacturing process. Slight differences between samples and finished product may occur.

Installation

A Baffle Lit has two attachment points with a ¼"-20 female thread and comes with your choice of eyebolts or ¼"-20 male threaded screw hardware. Lighting component will need to be assembled with baffle on site. For more information and instructions on installing A Baffle Lit, please review the [A Baffle Lit Installation Guide](#).

Note: Kirei does not provide ceiling mounting hardware or cable/chain/rod.



Eyebolt Mounting Hardware

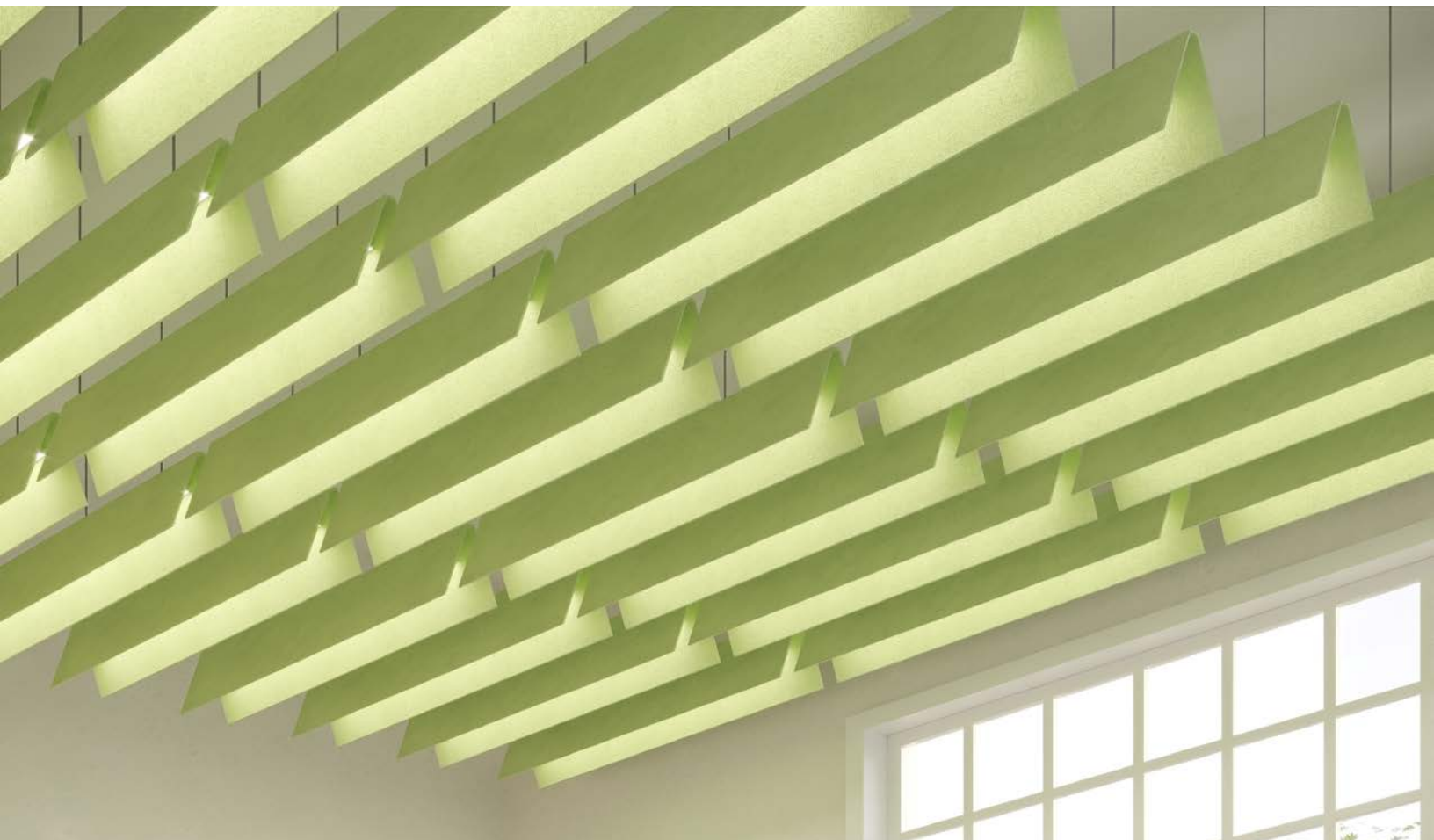
Custom Printing with Kirei Ink

A Baffle Lit can be custom printed in house with Kirei Ink. We would love to work with you to print your own custom color, pattern, graphic or material. Reach out and our team will be ready to assist!

Please note: Kirei requires written permission from the copyright holder in order to reproduce any copyrighted work. Professional photographs cannot be reproduced without written permission from the photographer.



Product shown: A Baffle Lit and V Baffles in Coronet



Product shown: A Baffle Lit in Pistachio



Product shown: Lit Baffles in White, Mint, Frost, Blush, and White Wash Wood on Frost



Product shown: A Baffle in Pacific



Product shown: A Baffle Lit in Mint

kirei

Learn more and request your free sample:

619.236.9924 | sales@kireiusa.com

kireiusa.com