



# kirei

## 3D HEX CLOUDS

### Acoustic Ceiling Solution

3D Hex Clouds provide sound acoustic absorption and diffusion while delivering a high visual impact. Use 3D Hex acoustic clouds to reduce reverberation and help quiet noisy open-space environments, no matter the ceiling type. Ideal for lobbies, entrance ways, and other spaces with high ceilings in need of sound absorption.

Product shown: 3D Hex Clouds in Ivy

# Specs

| Style        | Standard (LxH)  | Depth | Weight | SF/Unit |
|--------------|-----------------|-------|--------|---------|
| 3D Hex Cloud | 35.97" x 31.16" | 4.84" | 8 lbs  | 5.8     |

All specs refer to singular products and not multiples unless specified. Due to the nature of the material, cutting and fabrication process, minor dimensional variances may occur.

|                    |  |
|--------------------|--|
| Designer           | Kirei  |
| Material Thickness | 12mm   |
| Material           | 100% PET (60% post-consumer recycled content)  |
| Fire Rating        | ASTM E84 Class A   |
| Custom Options     | Available upon request   |
| Lead Time          | Please refer to <a href="http://kireiusa.com">kireiusa.com</a> for updated lead times. |
| VOC Emissions      | CDPH (CA 01350) Compliant<br>TVOC: <0.5 mg/m3  |

\*Actual lead times are determined when the project goes into production and can change based on production schedule and all quantities, color and thicknesses being in stock at time of order. See [Kirei's Product Lead Time Disclosure](#) for more information.



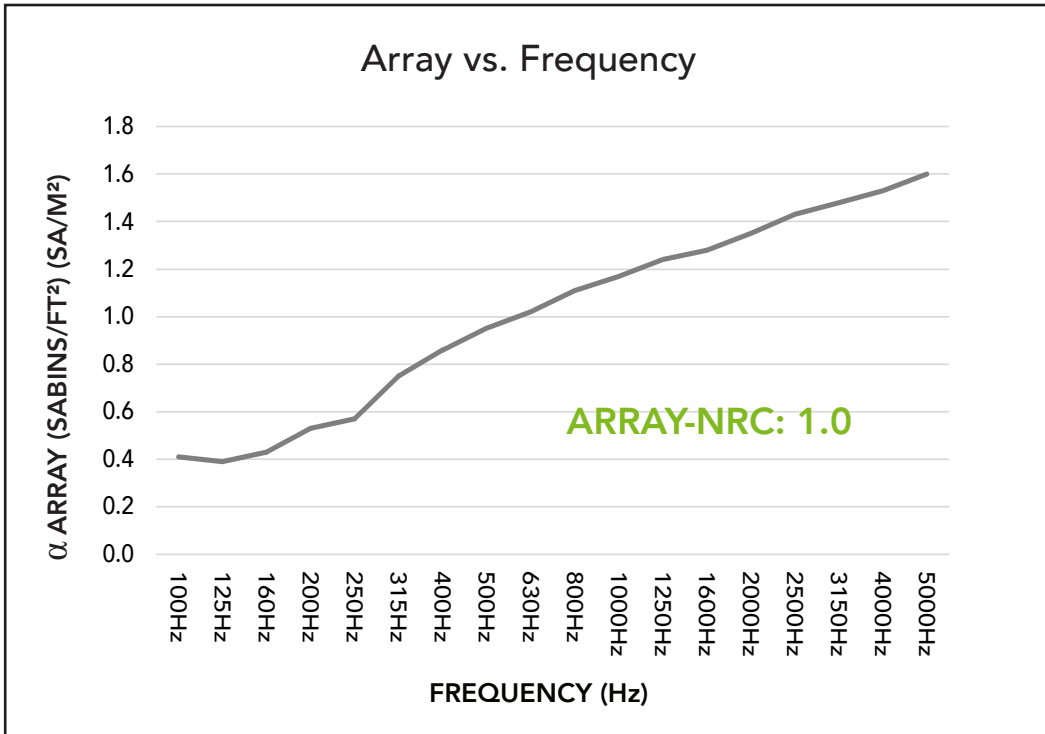
# Acoustic Data - 3D Hex Cloud

## Sound Absorption

| Frequency   | 125Hz | 250Hz | 500Hz | 1000Hz | 2000Hz | 4000Hz | Array-NRC | Array-SAA |
|---|-------|-------|-------|--------|--------|--------|-----------|-----------|
| $\alpha$ array<br>(Sabins/ft <sup>2</sup> )<br>(SA/m <sup>2</sup> ) | 0.39  | 0.57  | 0.95  | 1.17   | 1.35   | 1.53   | 1.0       | 1.02      |

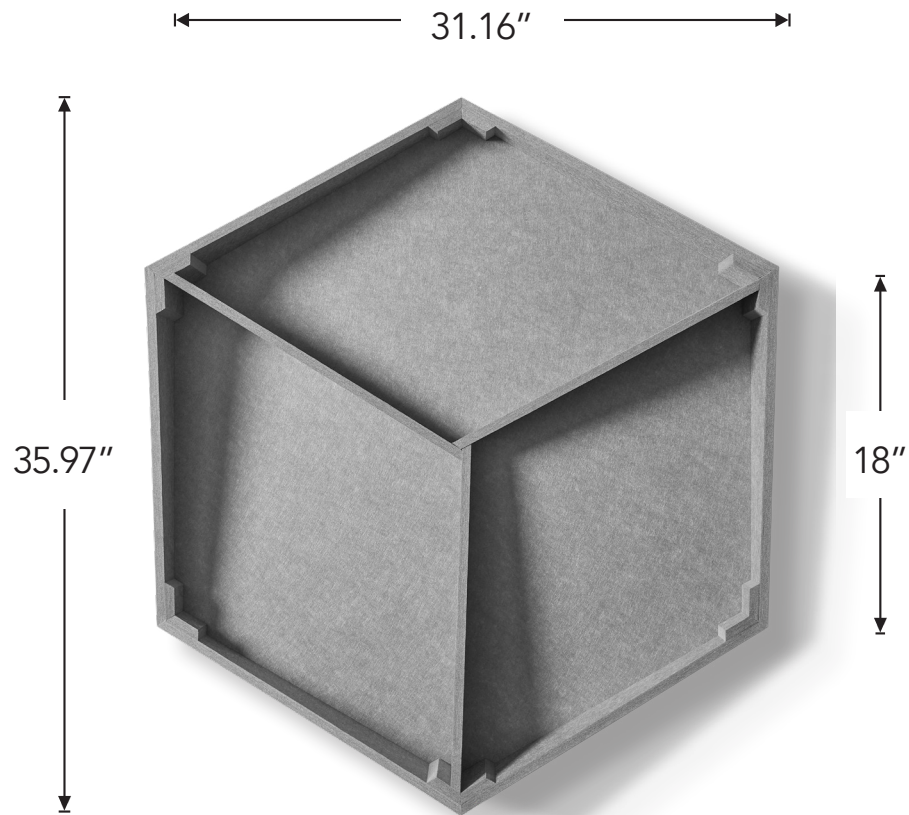
## Sabins per Array

| Frequency | 125Hz | 250Hz | 500Hz | 1000Hz | 2000Hz | 4000Hz |
|-----------|-------|-------|-------|--------|--------|--------|
| Sabins    | 25.40 | 37.44 | 62.60 | 77.20  | 88.84  | 100.56 |

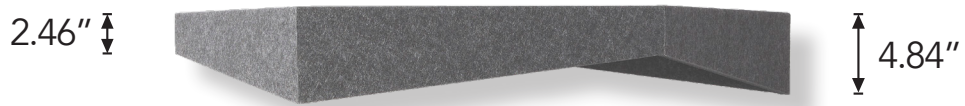


Acoustic data is measured in Array-NRC per 3D Hex Cloud at eight units, four rows of two units each, each row spaced 1" apart. For more information, see the [full acoustic test](#).

# Product Dimensions



Front View



Side View

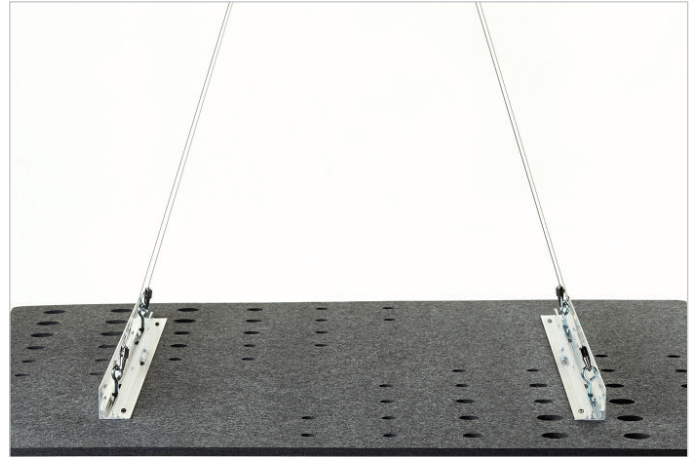
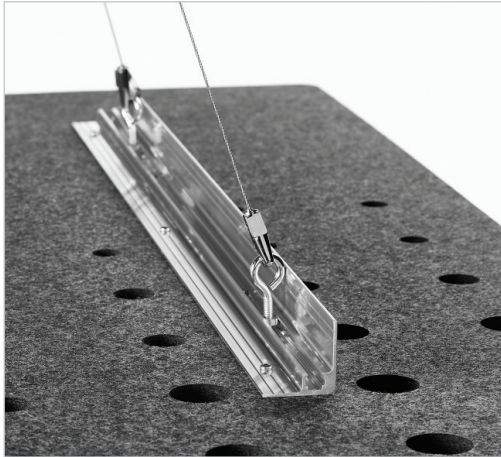
# Available Colors

|   |   |   |   |  |   |   |
|---|---|---|---|--|---|---|
|    |    |    |    |    |    |    |
| <b>Cayenne 029</b><br>12mm  | <b>Wine 009</b><br>12mm   | <b>Rouge 007</b><br>12mm  | <b>Crimson 059</b><br>12mm  | <b>Mandarin 013</b><br>12mm  | <b>Cinnamon 006</b><br>12mm   | <b>Nutmeg 047</b><br>12mm   |
|    |    |    |    |    |    |    |
| <b>Latte 055</b><br>12mm  | <b>Vanilla 028</b><br>12mm  | <b>Dusk 032</b><br>12mm   | <b>Blush 030</b><br>12mm  | <b>Ochre 004</b><br>12mm   | <b>Sunshine 003</b><br>12mm   | <b>Butter 002</b><br>12mm   |
|    |    |    |    |    |    |    |
| <b>Cappuccino 062</b><br>12mm   | <b>Sepia 063</b><br>12mm  | <b>Cream 048</b><br>12mm  | <b>White 033</b><br>12mm  | <b>Mushroom 026</b><br>12mm  | <b>Frost 001</b><br>12mm  | <b>Grey 023</b><br>12mm   |
|   |   |   |   |   |   |   |
| <b>Millennium 061</b><br>12mm   | <b>Smoke 024</b><br>12mm  | <b>Sage 042</b><br>12mm   | <b>Pebble 022</b><br>12mm   | <b>Slate 025</b><br>12mm   | <b>Black 035</b><br>12mm  | <b>Onyx 036</b><br>12mm   |
|  |  |  |  |  |  |  |
| <b>Mint 038</b><br>12mm   | <b>Duck Egg 037</b><br>12mm   | <b>Pacific 045</b><br>12mm  | <b>Lime Splice 020</b><br>12mm  | <b>Pistachio 041</b><br>12mm   | <b>Olive 021</b><br>12mm  | <b>Jade 016</b><br>12mm   |
|  |  |  |  |  |  |  |
| <b>Vineyard 017</b><br>12mm   | <b>Seaweed 056</b><br>12mm  | <b>Orchid 011</b><br>12mm   | <b>Amethyst 060</b><br>12mm   | <b>Navy 019</b><br>12mm  | <b>Coronet 046</b><br>12mm  | <b>Lapis 058</b><br>12mm  |
|  |  |   |   |  |   |   |
| <b>Ivy 015</b><br>12mm  | <b>Lavender 012</b><br>12mm   |   |   |  |   |   |

Color variation between dye lots is a natural characteristic of recycled PET felt due to the manufacturing process. Slight differences between samples and finished product may occur.

# Installation

3D Hex Clouds may be hung from a variety of ceiling types by using cable suspension or threaded rod and our Cloud Track flexible mounting system (see photos below). Select your mounting option for looks or flexibility as needed. Ceiling mounting hardware and cables are not included. For more information, see the [Cloud Installation Guide](#).



Cloud Track Installation

## Custom Printing with Kirei Ink

3D Clouds can be custom printed in house with Kirei Ink. We would love to work with you to print your own custom color, pattern, graphic or material. Reach out and our team will be ready to assist!

Please note: Kirei requires written permission from the copyright holder in order to reproduce any copyrighted work. Professional photographs cannot be reproduced without written permission from the photographer.



*Our mission*  
TO HELP AS MANY PETS AS POSSIBLE GET ON THE  
ROAD TO GOOD HEALTH THROUGH GOOD FOOD

Product shown: Concave Clouds in Wine and Orchid



Product shown: 3D Hex Clouds in Sunshine, Ivy, and Pacific

# kirei

Learn more and request your free sample:

619.236.9924 | [sales@kireiusa.com](mailto:sales@kireiusa.com)

[kireiusa.com](http://kireiusa.com)