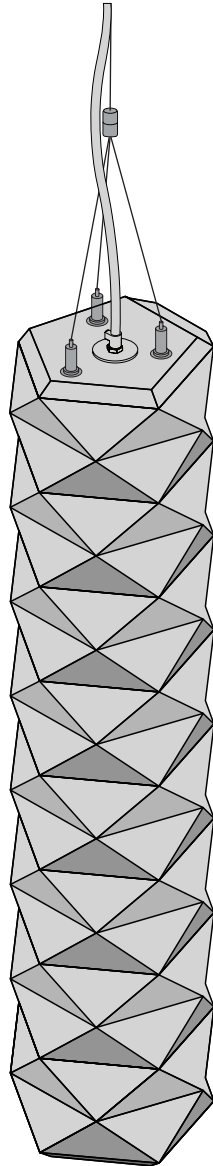


TESSELLATE PENDANT LIT

INSTALLATION GUIDE



kirei

IMPORTANT INFORMATION

Installation

Please read the entire Installation Guide prior to application. This installation guide is intended to provide installers with helpful information regarding Tessellate Pendant Lit prior to installation. Kirei accepts no responsibility for installation actions taken or not taken. This installation guide is not intended to be an in-depth guide; installer's knowledge as an experienced tradesman needs to be applied.

If you have questions about application or techniques, contact Kirei. Kirei will not be responsible for any cutting or mounting not performed by Kirei staff.

Terms of Trade

All Tessellate Pendant Lit products are inspected prior to shipment. Kirei is not responsible for damage in shipment or in storage; customers should carefully inspect all items at time of delivery and note any obvious damage on the delivery receipt. For the customer's protection subsequently discovered concealed damage must be reported immediately to the carrier. Claims to Kirei will not be considered if the sheet has been worked on by the customer or others. No claims for labor charges will be allowed in any circumstances.

Work Safety

In the interest of work safety, it is recommended that people working with Tessellate Pendant Lit wear the appropriate safety equipment. Although the product emits zero off-gases, masks and gloves should be worn to ensure the maximum possible safety precautions. For an SDS form, please contact Kirei.

Disconnect all power before electrical installation and connection.

Product Notes

Tessellate Pendant Lit's acoustic performance will alter based on a variety of factors including spacing between Pendants. Tessellate Pendant Lit have a grain that can reflect light differently, looking slightly lighter or darker depending on placement.

Cleaning & Handling

Do not store Tessellate Pendant Lit vertically, please store laying flat.
See the [Handling and Cleaning Guide](#) for more information.

Tessellate Pendant Lit Specs

See the [Tessellate Pendant Lit Spec Sheet](#) for product details and information.

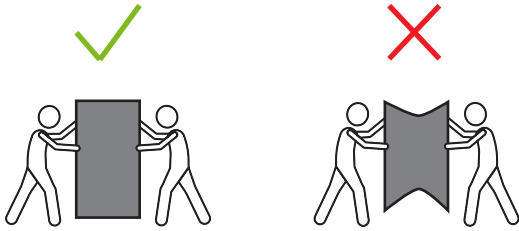
Product & Installation Questions

Kirei - Pendant Support
PH: 619.236.9924
Email: info@kireiusa.com
Web: kireiusa.com

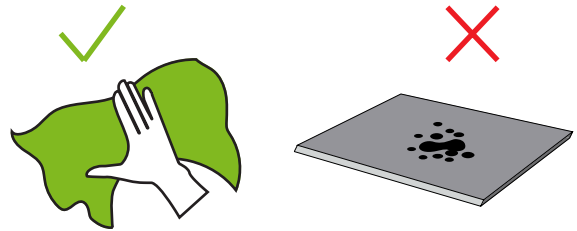
RESOLUTE - Lighting Support
PH: 206.343.9323
Email: kirei@resoluteusa.com
Web: resoluteonline.com

HANDLING

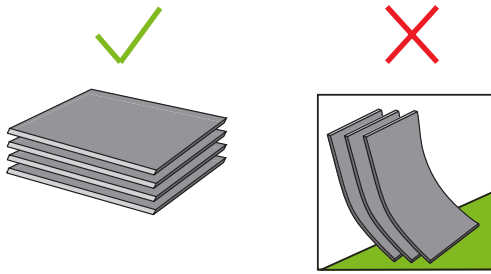
Carry boxes and products upright.



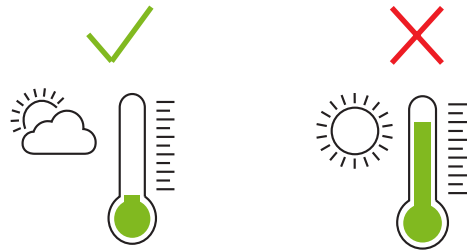
Keep all surfaces clean for storage and fabrication.



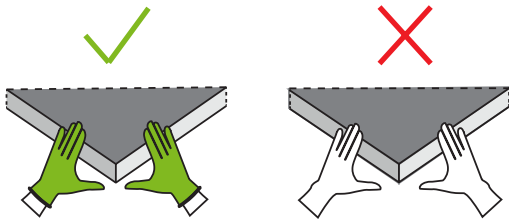
Store boxes and products flat.



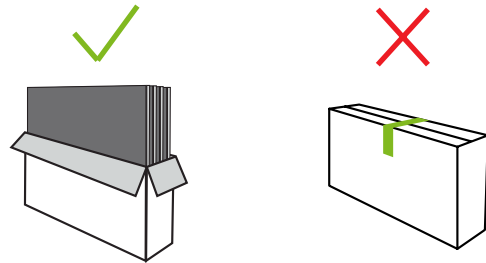
Store in a cool, dry place with no direct sun. Avoid 145 degree temperatures or greater.



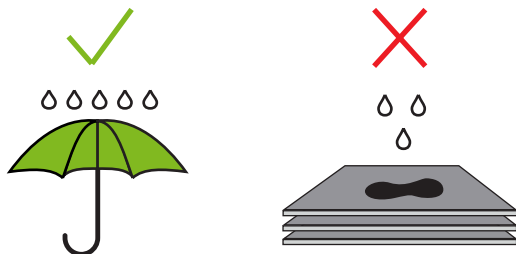
Wear gloves for handling light colors.



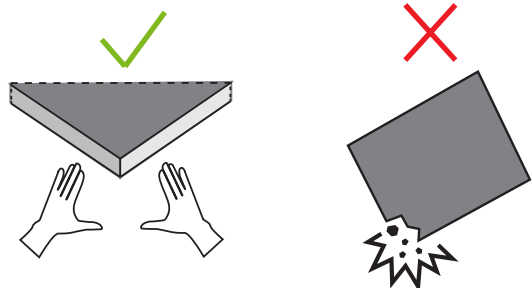
Upon delivery, inspect all goods for order corrections and damage.



Keep product dry and avoid humidity.

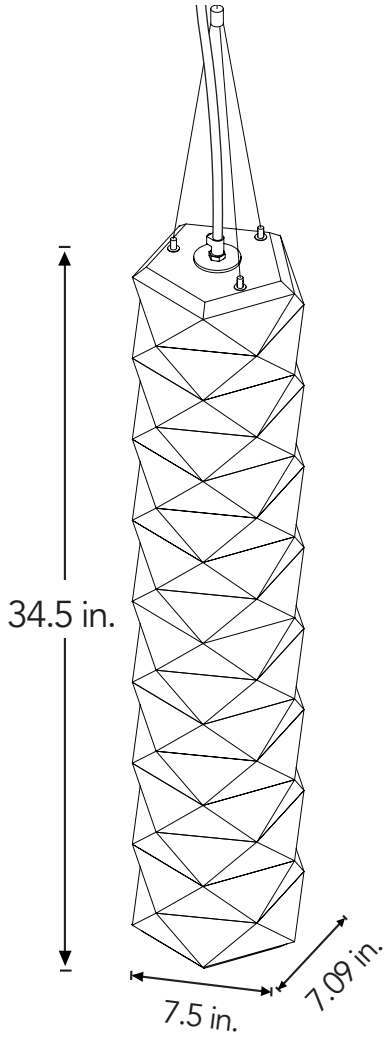


Protect the edges.

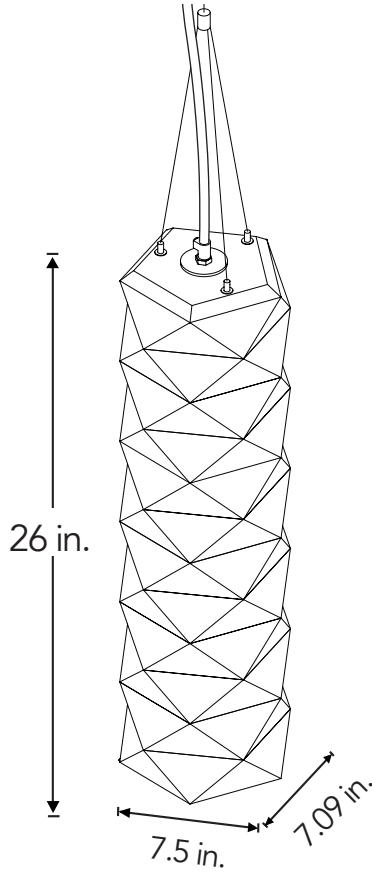


DIMENSIONS

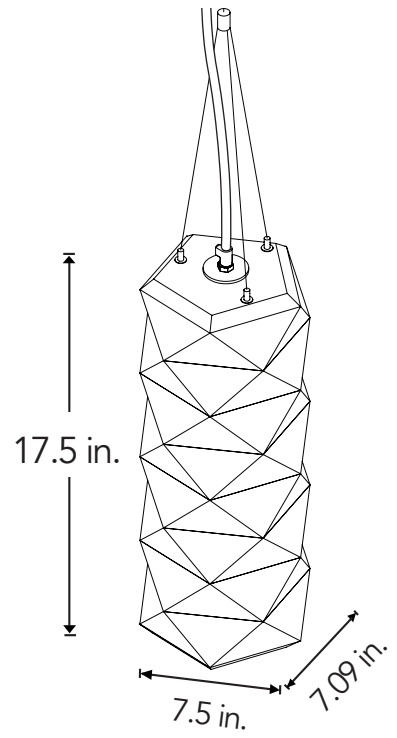
Tessellate Baffle Lit
Large



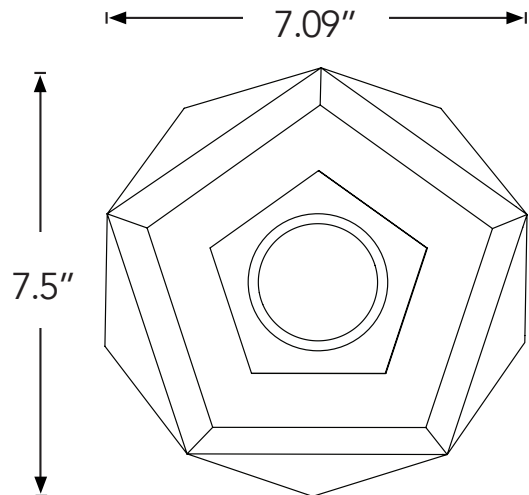
Tessellate Baffle Lit
Medium



Tessellate Baffle Lit
Small

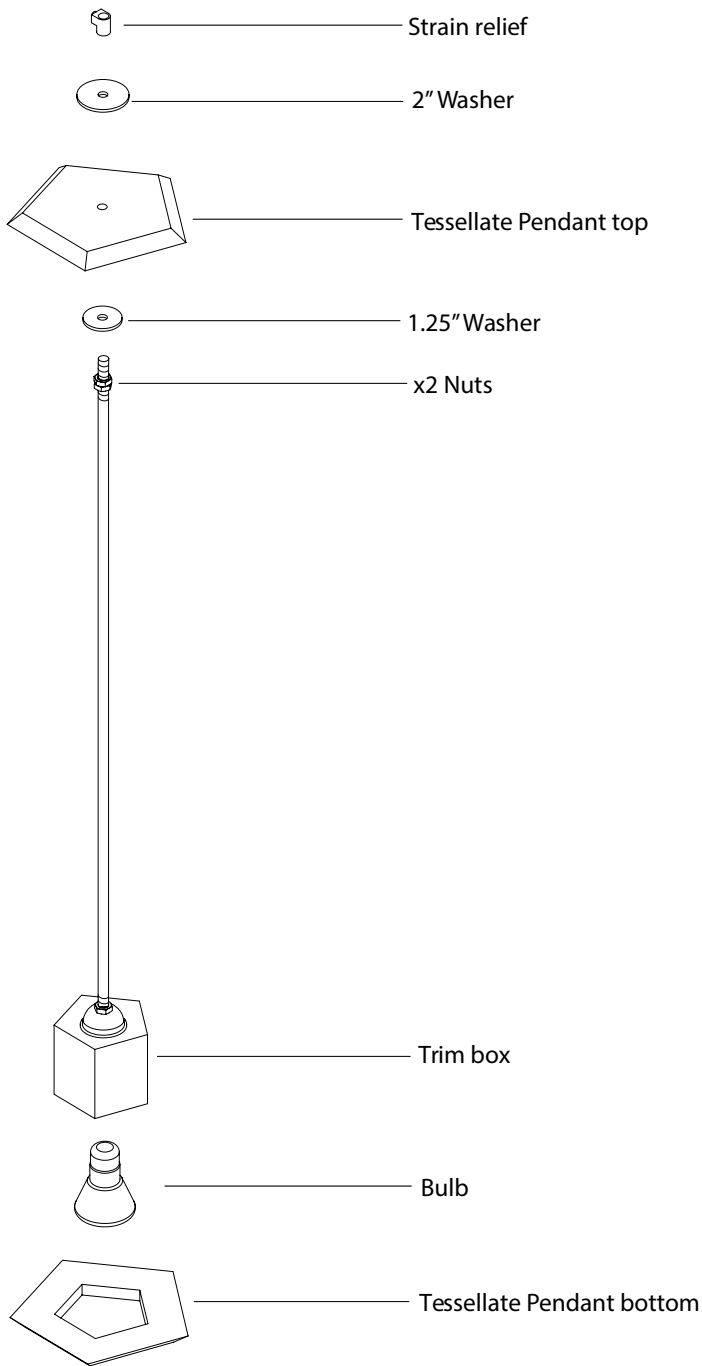


Side View

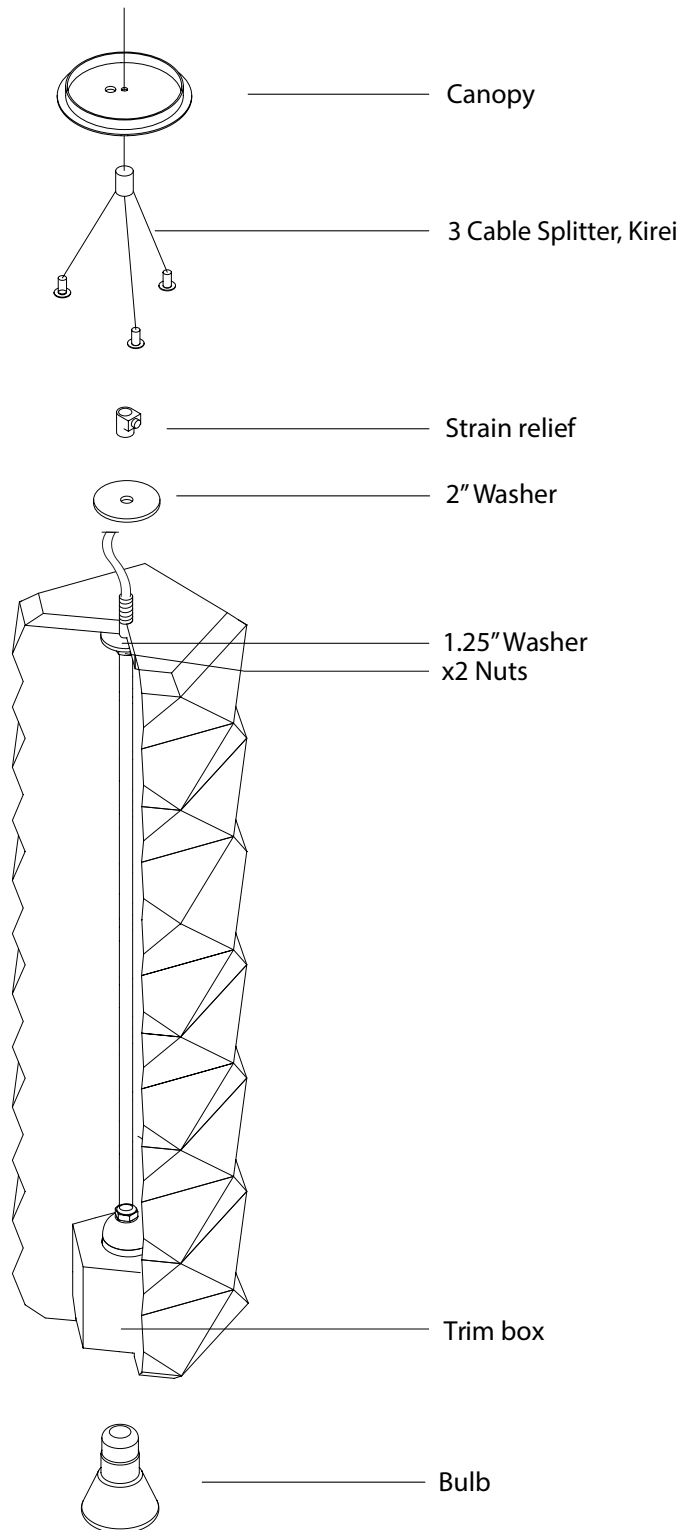


EXPLODED VIEW

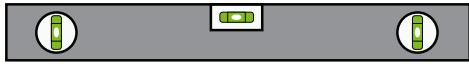
CORE Fixture Assembly



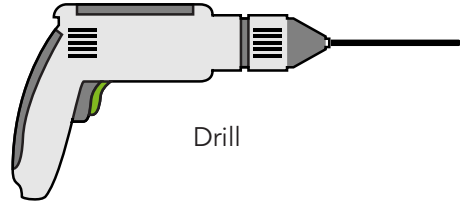
Fixture Assembly with Pendant



TOOLS NEEDED



Level



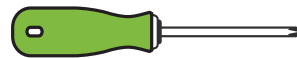
Drill



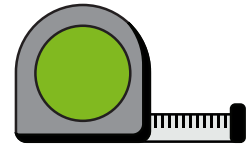
Crimper



Wire Cutter



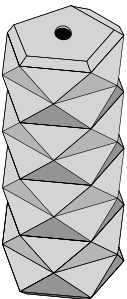
Screw Driver



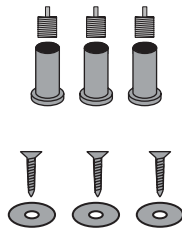
Tape Measure

Not all tools are needed for installation, but depending on install choice, could be used.

ITEMS INCLUDED

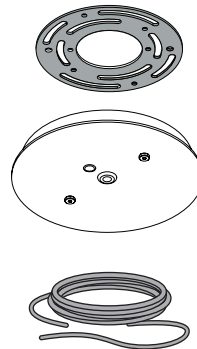


Tessellate Pendant Lit

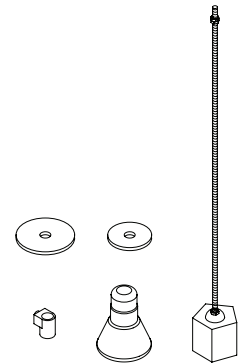


(3) 2- part cable grippers, (3) screws, and (3) washers

GripLock Cable Kit Install
(per pendant)



Pendant Canopy
(per Lit pendant)



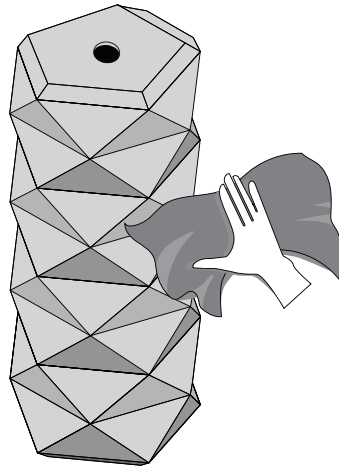
Strain relief, 2" Washer, 1.25" Washer,
Sora bulb, Fixture with Trim Box Assembly
(Length varies by Pendant size)

Fixture rod w/ parts
(per Lit pendant)

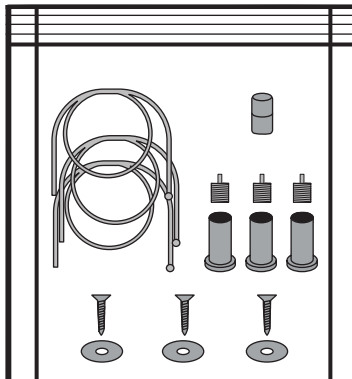
GRIPLOCK CABLE KIT INSTALLATION

The safest and easiest install is achieved by evaluating the location in advance to determine and ensure that cable path from ceiling is unobstructed. Typically two people are needed for most install applications.

- 1 Remove Pendant from the box confirm color, undamaged condition, compatibility of hanging hardware, and clean any debris off the Pendant.

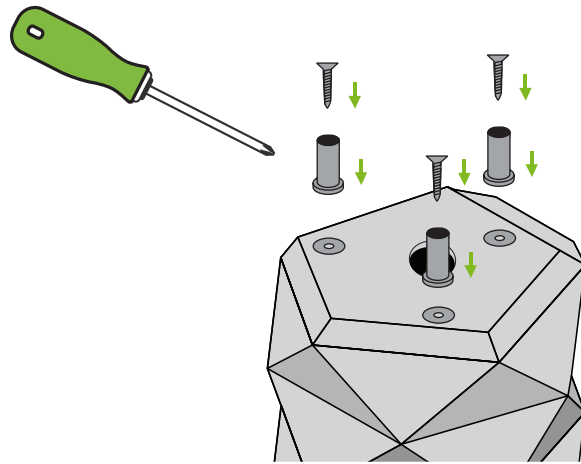


- 2 Hardware is not attached. To begin hardware assembly, locate the package with the GripLock Cable Kit.

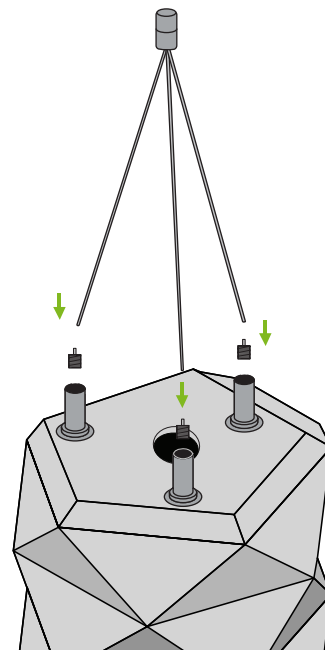


GRIPLOCK CABLE KIT INSTALLATION

- 3** Tessellate Pendant Lits griplock cable kits are intended to be mounted symmetrically to the top of the pendant. To begin, measure three equal distant points on the top of the pendant, and using the screws and washers provided, mount the first part of the cable grippers to the pendant.



- 4** Next attach the second cable gripper part to the mounted part, and string the cable through the cable gripper hole.



LIGHT FIXTURE INSTALLATION

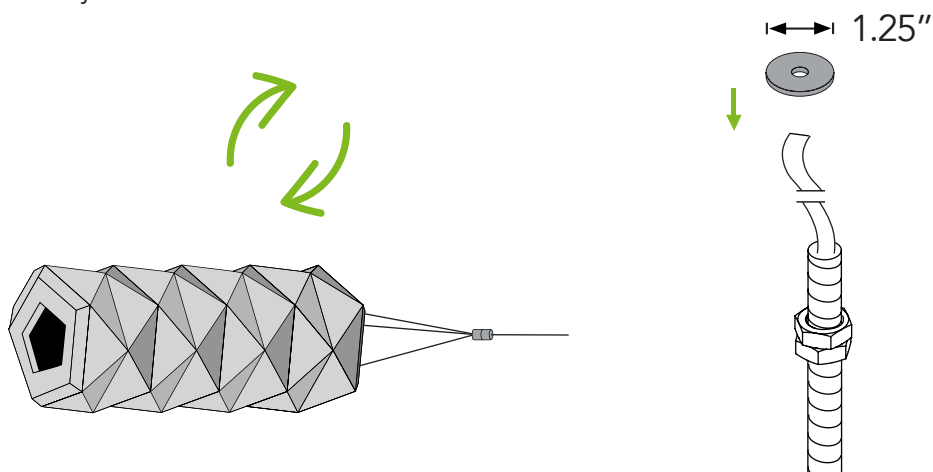


Disconnect power before installation.

5

Place Tessellate Pendant Lit on its side to prepare for fixture installation. Slide the 1.25" Washer down the power cord and on to the stem so it sits on top of the double nut.

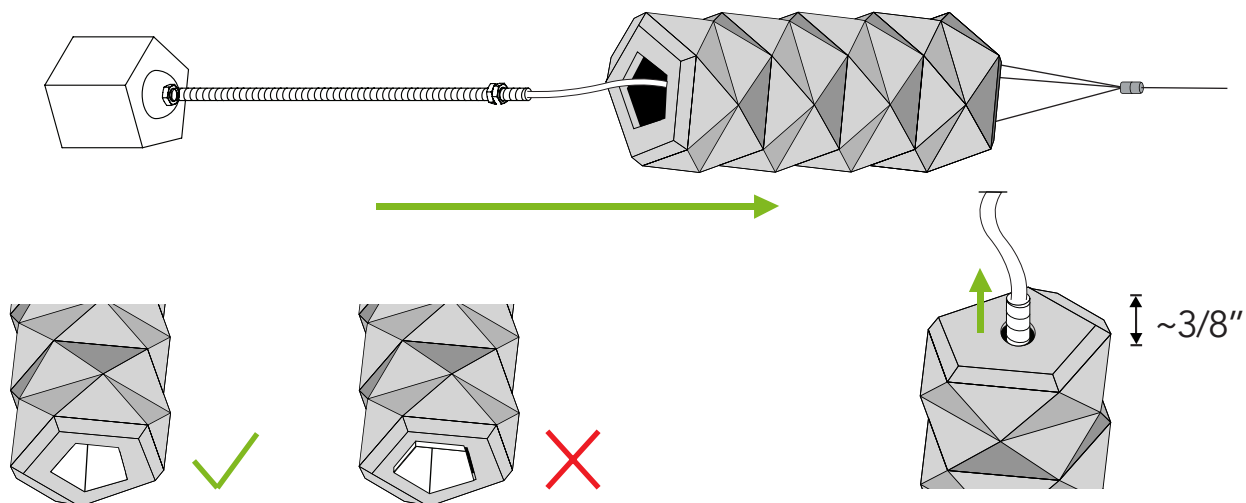
Note: Double nut is provided to accommodate slight variations in pendant height and allow adjustments for fixture attachment.



6

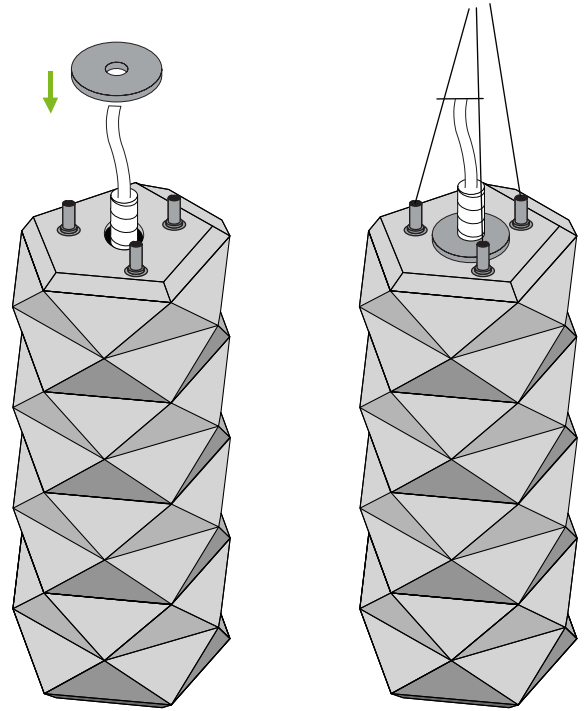
While holding the bottom of the trim box, insert the fixture assembly into the pendant by threading the power cord and stem through the pentagonal cutout at the bottom of the pendant and through the hole cutout at the top. Ensure trim box sits flush with the bottom of the pendant and ~3/8" of thread is visible out of the top.

If adjustments are needed, remove fixture and adjust double nut at top of the stem until desired placement is achieved.

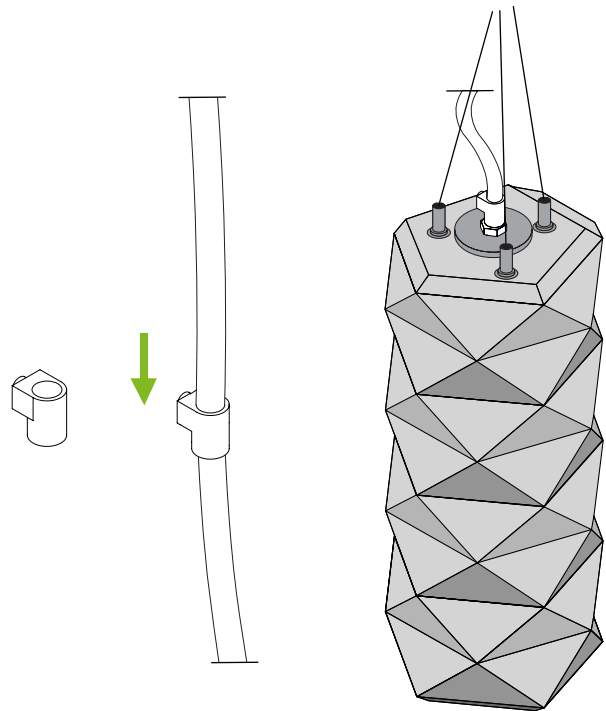


LIGHT FIXTURE INSTALLATION

- 7** Slide the 2" Washer down the power cord and on top of the stem so it rests against the top of pendant.



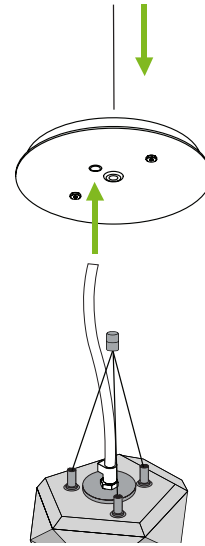
- 8** Slide strain relief down the power cord and screw on top of stem to tighten.



TESSELLATE PENDANT LIT INSTALLATION

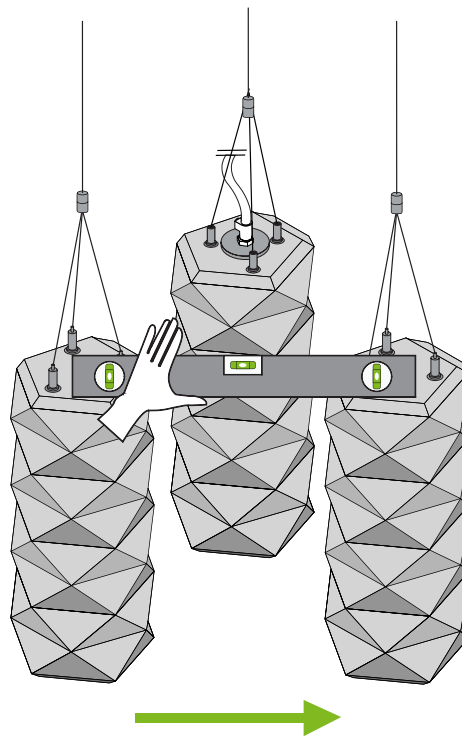
- 9 Feed the end of the power cord and your desired choice of aircraft cable through the pendant canopy. The power cord hole is off-center from the aircraft cable hole.

Note: Aircraft cable is not included.



- 10 See QR code for power and electrical instructions. Once canopy is attached, use a level to ensure accurate alignment, attach pendants to the hardware with the assembled suspension cable.

Due to the single cable hanging point, we do not recommend hanging Tessellate Pendant Lits in a heavy airflow area as they are susceptible to slight movement once installed.



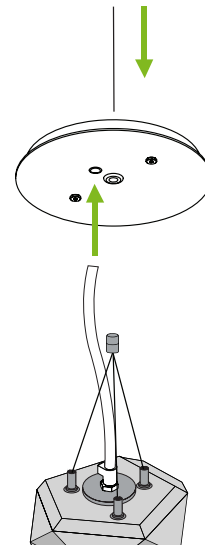
For connecting fixture to power and electrical wiring diagrams, please scan the QR code:



TESSELLATE PENDANT LIT INSTALLATION

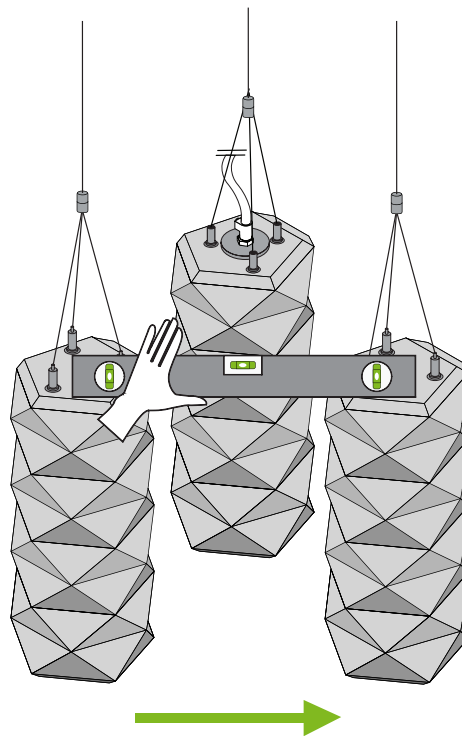
- 9 Feed the end of the power cord and your desired choice of aircraft cable through the pendant canopy. The power cord hole is off-center from the aircraft cable hole.

Note: Aircraft cable is not included.



- 10 Securely mount the appropriate hardware to the ceiling and then, using a level to ensure accurate alignment, attach pendants to the hardware with the assembled suspension cable.

Due to the single cable hanging point, we do not recommend hanging Tessellate Pendant Lits in a heavy airflow area as they are susceptible to slight movement once installed.



For connecting fixture to power and electrical wiring diagrams, please scan the QR code:



kirei

CONTACT INFORMATION

Phone: 619.236.9924

Email: info@kireiusa.com

Web: kireiusa.com

RESOLUTE: kirei@resoluteusa.com

Our Mission

Kirei strives to inspire a beautiful world by providing architects, interior designers, and placemakers with sustainable architectural design elements for inspiring healthy spaces.

Committed To Sustainability

Kirei prioritizes sustainable design in our materials and our process. Our products must contain a minimum of 50% or more recycled material, meet or exceed CDPH standards for VOCs, and must be Red List Free and Declare Label qualified/certified. From tiles made of plastic bottles to Pendants filled with Nike Grind, being "green" is a key quality of all our products.

Our Proven Process

Our proven process is simple and guides all that we do. We listen and learn the needs of a designer's project to inspire and assist through the specification process. We get the spec right, working with installers and contractors to get accurate bid information. We provide best-in-class service that includes reliable delivery and installer support, ensuring that each project gets exactly what it needs when it needs it. Finally, we celebrate the designer, their project, and the win!