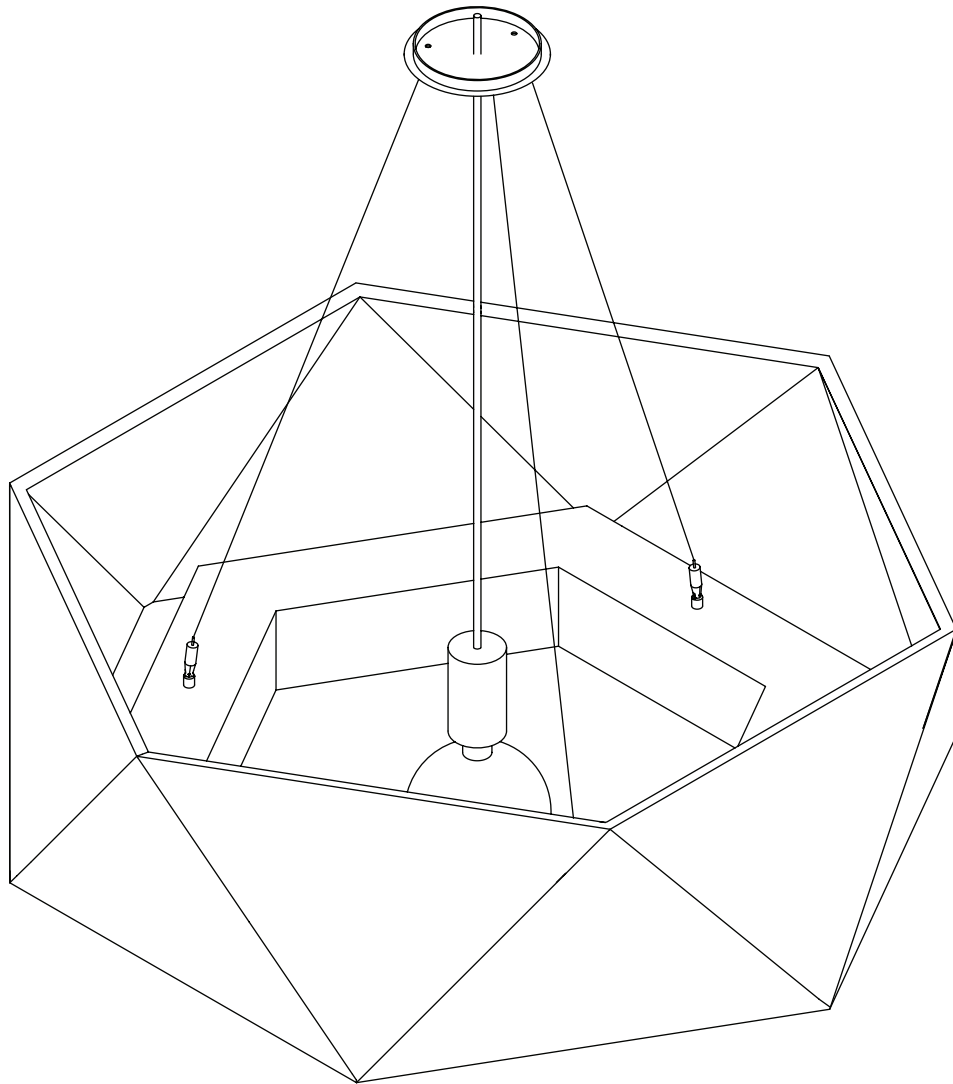


TESSELLATE CLOUD LIT - PURITY

INSTALLATION GUIDE



kirei

IMPORTANT INFORMATION

Installation

Please read the entire Installation Guide prior to application. This installation guide is intended to provide installers with helpful information regarding Tessellate Cloud Lit prior to installation. Kirei accepts no responsibility for installation actions taken or not taken. This installation guide is not intended to be an in-depth guide; installer's knowledge as an experienced tradesman needs to be applied.

If you have questions about application or techniques, contact Kirei. Kirei will not be responsible for any cutting or mounting not performed by Kirei staff.

Terms of Trade

All Tessellate Cloud Lit products are inspected prior to shipment. Kirei is not responsible for damage in shipment or in storage; customers should carefully inspect all items at time of delivery and note any obvious damage on the delivery receipt. For the customer's protection subsequently discovered concealed damage must be reported immediately to the carrier. Claims to Kirei will not be considered if the sheet has been worked on by the customer or others. No claims for labor charges will be allowed in any circumstances.

Work Safety

In the interest of work safety, it is recommended that people working with Tessellate Cloud Lit wear the appropriate safety equipment. Although the product emits zero off-gases, masks and gloves should be worn to ensure the maximum possible safety precautions. For an SDS form, please contact Kirei.

Disconnect all power before electrical installation and connection.

Product Notes

Tessellate Cloud Lit's acoustic performance will alter based on a variety of factors including spacing between clouds. Tessellate Cloud Lit has a grain that can reflect light differently, looking slightly lighter or darker depending on placement.

Cleaning & Handling

Do not store Tessellate Cloud Lit vertically, please store laying flat. See the [Handling and Cleaning Guide](#) for more information.

Tessellate Cloud Lit Specs

See the [Tessellate Cloud Lit Spec Sheet](#) for product details and information.

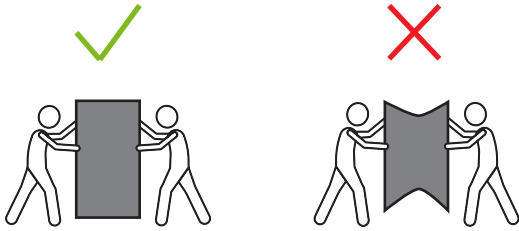
Product & Installation Questions

Kirei - Cloud Support
PH: 619.236.9924
Email: info@kireiusa.com
Web: kireiusa.com

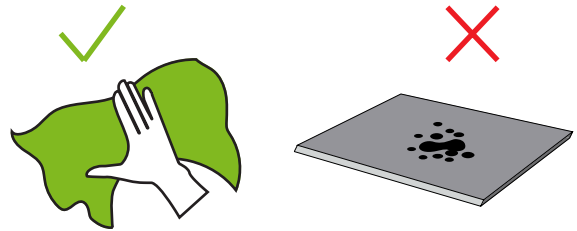
RESOLUTE - Lighting Support
PH: 206.343.9323
Email: kirei@resoluteusa.com
Web: resoluteonline.com

HANDLING

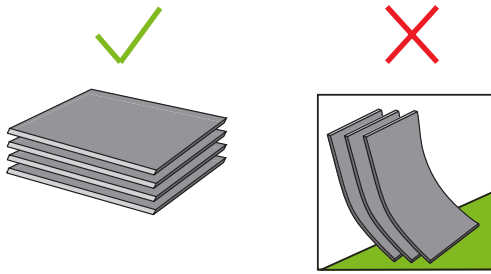
Carry boxes and products upright.



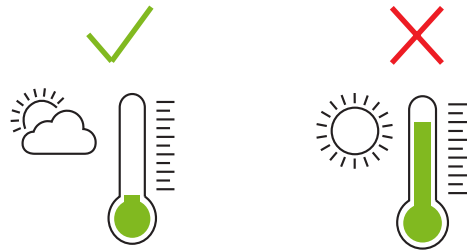
Keep all surfaces clean for storage and fabrication.



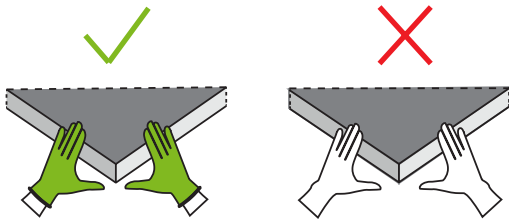
Store boxes and products flat.



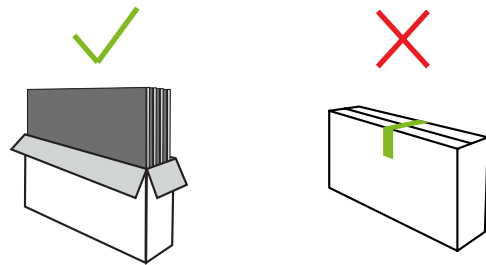
Store in a cool, dry place with no direct sun. Avoid 145 degree temperatures or greater.



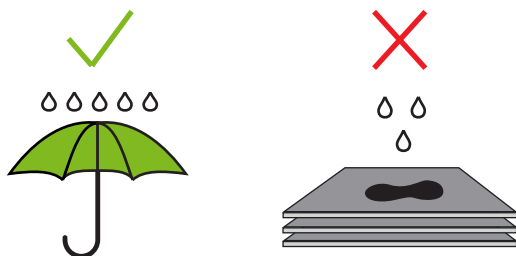
Wear gloves for handling light colors.



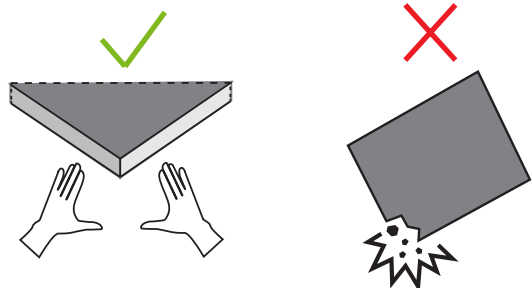
Upon delivery, inspect all goods for order corrections and damage.



Keep product dry and avoid humidity.

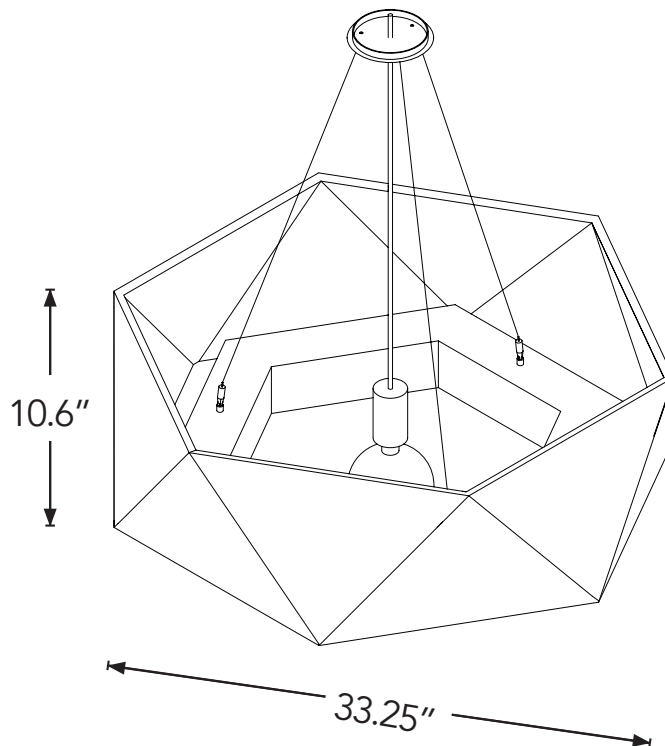
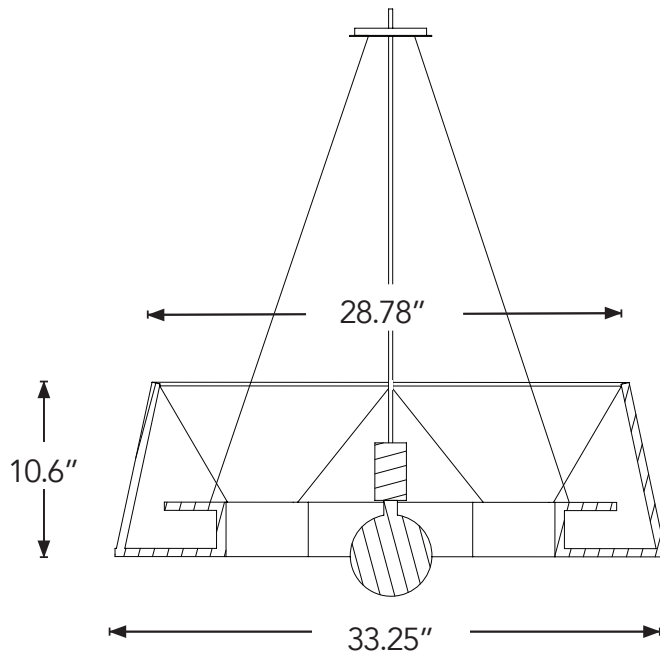


Protect the edges.

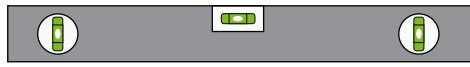


DIMENSIONS

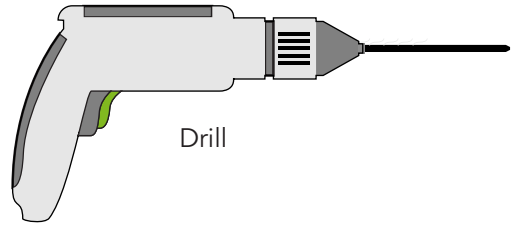
Tessellate Cloud Lit - Purity



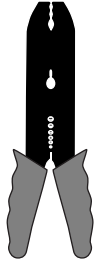
TOOLS NEEDED



Level



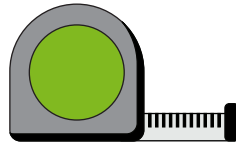
Drill



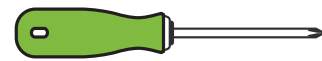
Crimper



Wire Cutter



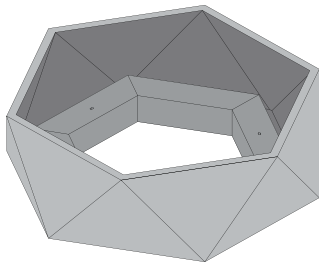
Tape Measure



Screw Driver

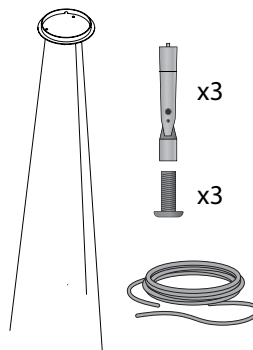
Not all tools are needed for installation, but depending on install choice, could be used.

ITEMS INCLUDED



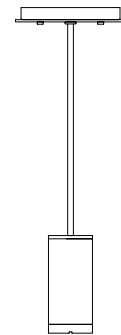
Tessellate Cloud Lit

- Per style and quantity ordered.



Tessellate Cloud Lit Canopy Kit

- 8ft Aircraft Cable included
- Per style and quantity ordered.



Purity Light Fixture

ITEMS NOT INCLUDED



Bulb

INSTALLATION

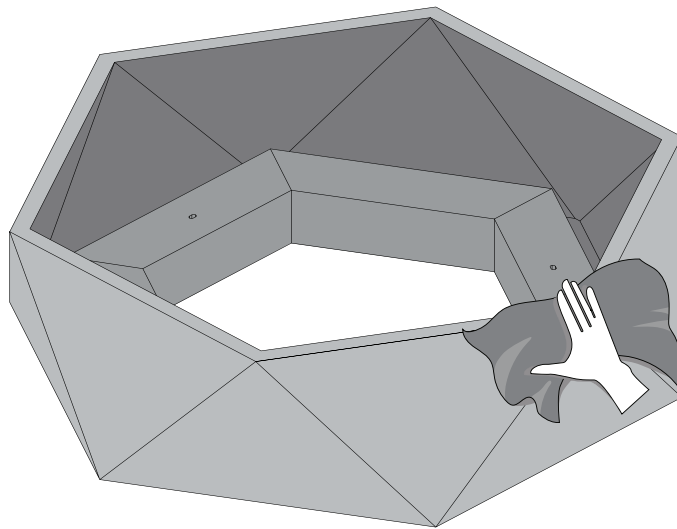


Disconnect power before installation.

The safest and easiest install is achieved by evaluating the location in advance to determine and ensure that cable path from ceiling is unobstructed. Typically two people are needed for most install applications.

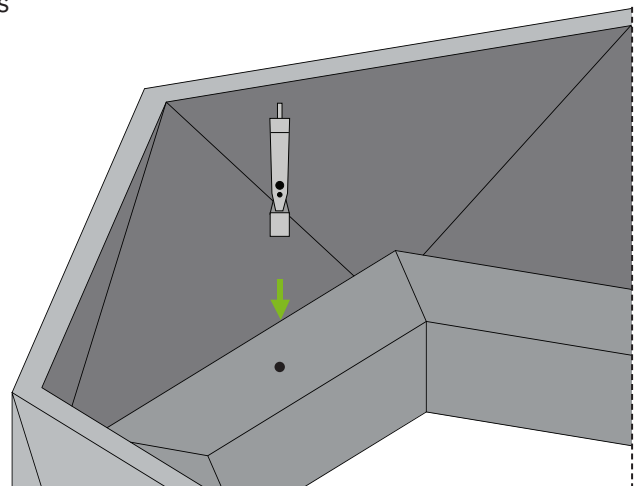
1

Remove cloud(s) from the box confirm color, undamaged condition, compatibility of hanging hardware, and clean any debris off the cloud.



2

Each cloud has three attachment points with pre-drilled holes in the cloud for the jointed hardware. Fasten the hardware into the pre-drilled holes.



INSTALLATION

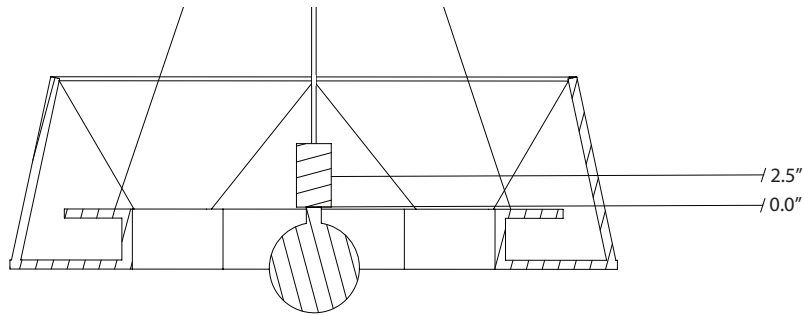


Disconnect power before lighting installation.

3

Determine drop length of Purity fixture. Measure, trim, and strip electrical cord to the appropriate length.

Note: Adjust Purity fixture in relation to the top of the internal cloud height (0") depending on size of the chosen bulb (not included). The ideal spot is somewhere between 0" and 4.5" from the top of the internal cloud, where the bulb should sit about 2.5" below the bottom of the fixture.



Note: Lamp not included. Product shown with lamp installed for illustrative purposes.

4

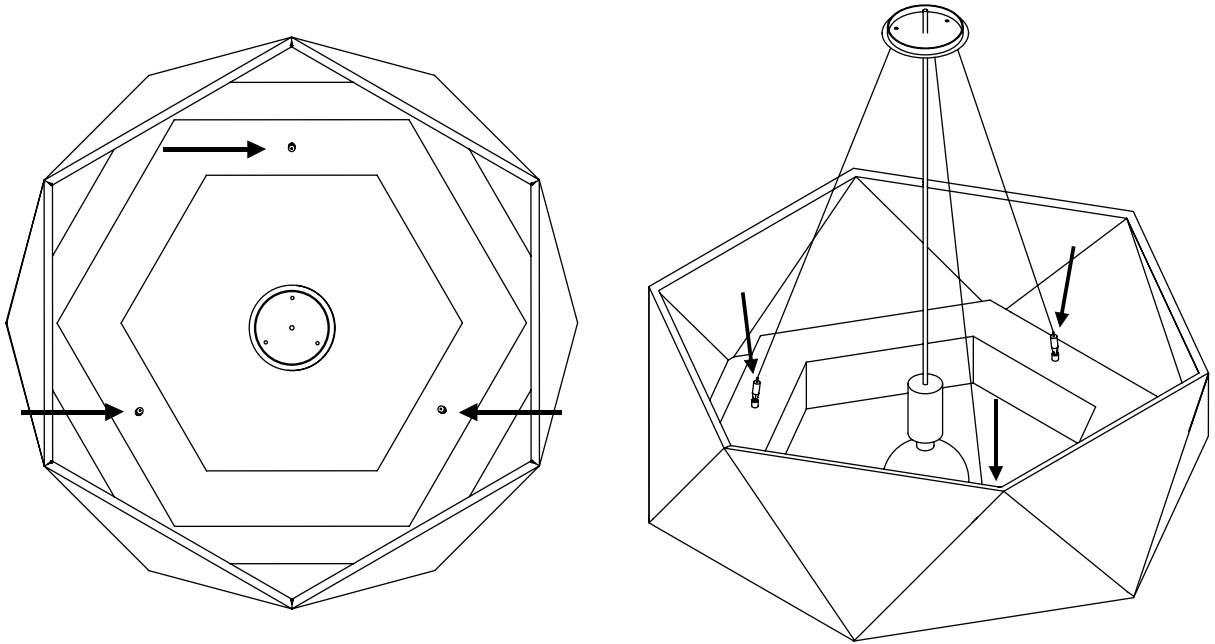
Connect the Purity fixture to power source. Tighten set screw in strain relief to secure power cord once desired drop length has been achieved.

For connecting fixture to power and electrical wiring diagrams, please scan the QR code:

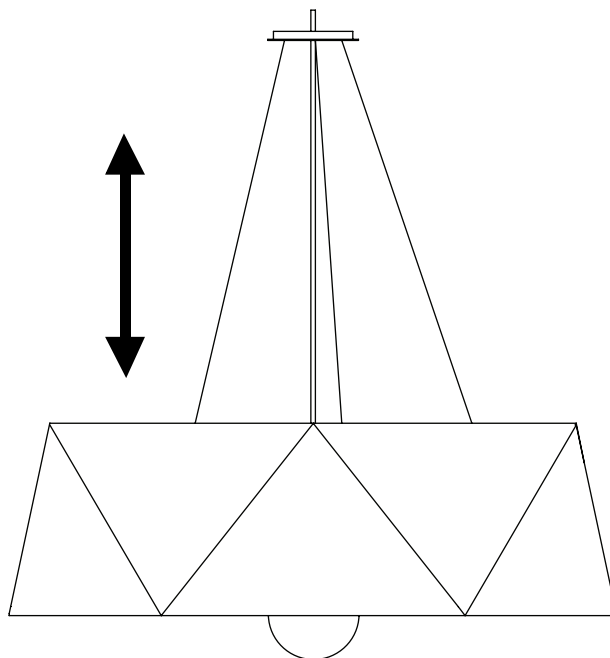


INSTALLATION

- 5** Attach the 3 cables from the fixture canopy to the three jointed hardware pieces attached to the cloud.



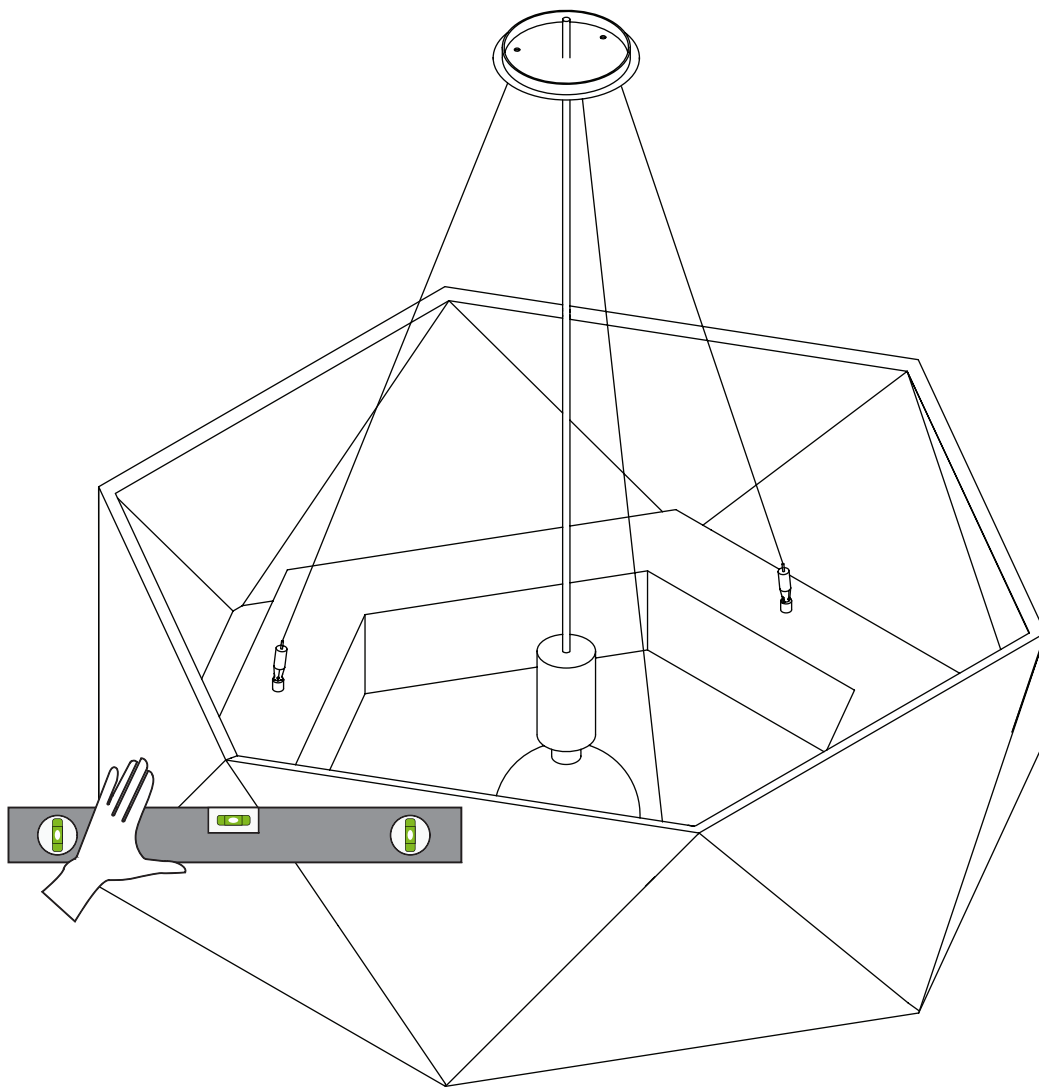
- 6** Adjust length of cables to achieve desired relationship between Kirei cloud and Resolute fixture.



INSTALLATION

- 7 Securely mount the included aircraft cable to the ceiling and then, using a level to ensure accurate alignment, attach cloud to the hardware with the assembled suspension cable.

Note: Due to the single cable hanging point, we do not recommend hanging Tessellate Cloud Lit in a heavy airflow area, as they are susceptible to slight movement once installed.



kirei

CONTACT INFORMATION

Phone: 619.236.9924

Email: info@kireiusa.com

Web: kireiusa.com

RESOLUTE: kirei@resoluteusa.com

Our Mission

Kirei strives to inspire a beautiful world by providing architects, interior designers, and placemakers with sustainable architectural design elements for inspiring healthy spaces.

Committed To Sustainability

Kirei prioritizes sustainable design in our materials and our process. Our products must contain a minimum of 50% or more recycled material, meet or exceed CDPH standards for VOCs, and must be Red List Free and Declare Label qualified/certified. From tiles made of plastic bottles to clouds filled with Nike Grind, being "green" is a key quality of all our products.

Our Proven Process

Our proven process is simple and guides all that we do. We listen and learn the needs of a designer's project to inspire and assist through the specification process. We get the spec right, working with installers and contractors to get accurate bid information. We provide best-in-class service that includes reliable delivery and installer support, ensuring that each project gets exactly what it needs when it needs it. Finally, we celebrate the designer, their project, and the win!