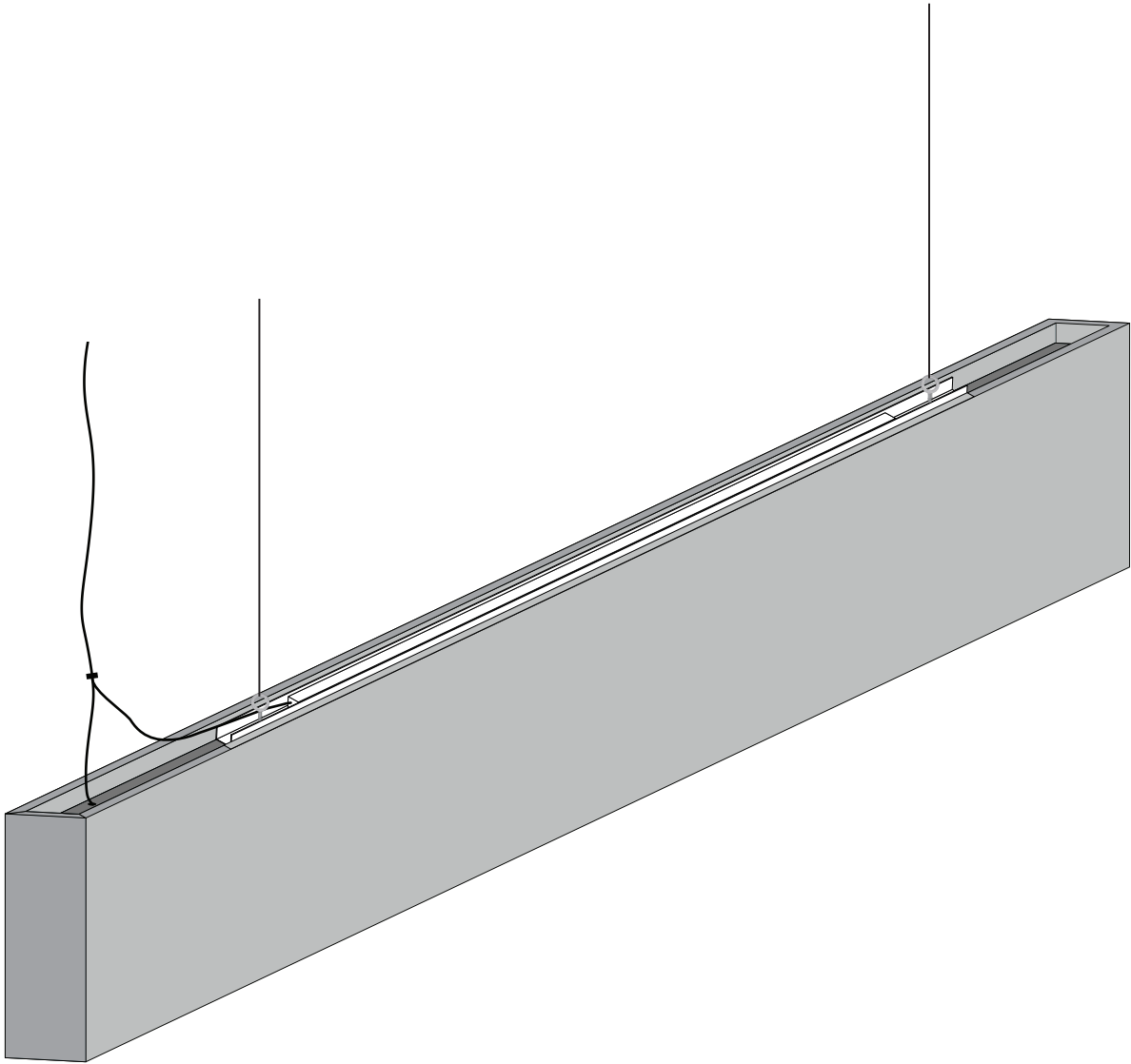


O BAFFLE LIT

INSTALLATION GUIDE



kirei

IMPORTANT INFORMATION

Installation

Please read the entire Installation Guide prior to application. This installation guide is intended to provide installers with helpful information regarding O Baffle Lit prior to installation. Kirei accepts no responsibility for installation actions taken or not taken. This installation guide is not intended to be an in-depth guide; installer's knowledge as an experienced tradesman needs to be applied.

If you have questions about application or techniques, contact Kirei. Kirei will not be responsible for any cutting or mounting not performed by Kirei staff.

Terms of Trade

All O Baffle Lit products are inspected prior to shipment. Kirei is not responsible for damage in shipment or in storage; customers should carefully inspect all items at time of delivery and note any obvious damage on the delivery receipt. For the customer's protection subsequently discovered concealed damage must be reported immediately to the carrier. Claims to Kirei will not be considered if the sheet has been worked on by the customer or others. No claims for labor charges will be allowed in any circumstances.

Work Safety

In the interest of work safety, it is recommended that people working with O Baffle Lit wear the appropriate safety equipment. Although the product emits zero off-gases, masks and gloves should be worn to ensure the maximum possible safety precautions. For an SDS form, please contact Kirei.

Disconnect all power before electrical installation and connection.

Product Notes

The acoustic performance of O Baffle Lit will alter based on a variety of factors including spacing between baffles.

Cleaning & Handling

See the [Handling and Cleaning Guide](#) for more information.

O Baffle Lit Specs

See the [O Baffle Lit Spec Sheet](#) for product details and information.

Product & Installation Questions

Kirei - Baffle Support

PH: 619.236.9924

Email: info@kireiusa.com

Web: kireiusa.com

RESOLUTE® - Lighting Support

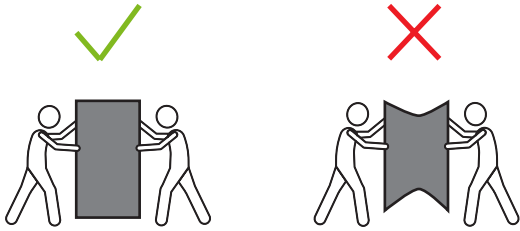
PH: 206.343.9323

Email: info@resoluteusa.com

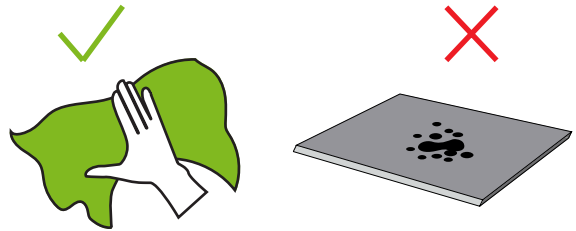
Web: resoluteonline.com

HANDLING

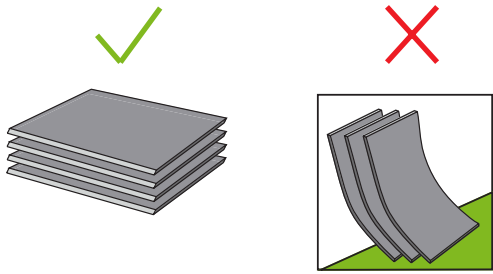
Carry boxes and products upright.



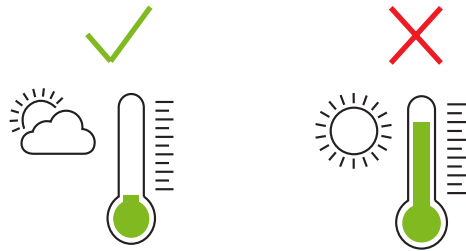
Keep all surfaces clean for storage and fabrication.



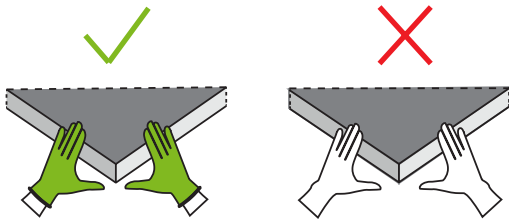
Store boxes and products flat.



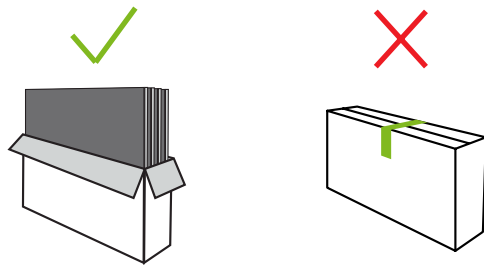
Store in a cool, dry place with no direct sun. Avoid 145 degree temperatures or greater.



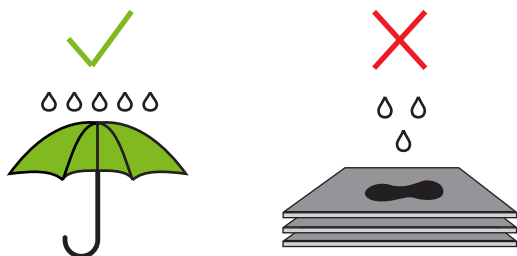
Wear gloves for handling light colors.



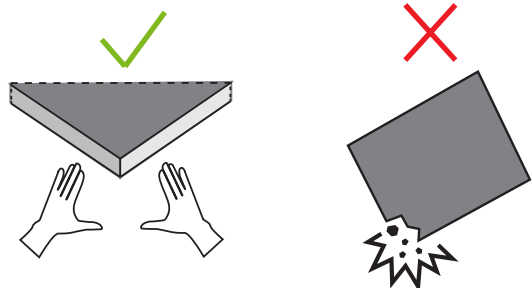
Upon delivery, inspect all goods for order corrections and damage.



Keep product dry and avoid humidity.

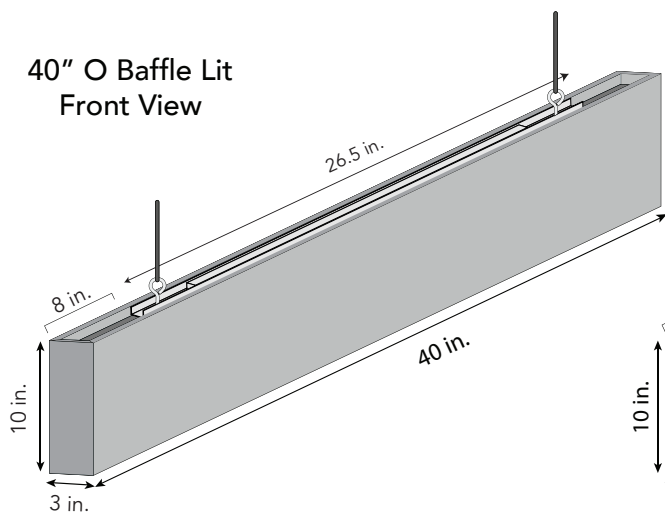


Protect the edges.

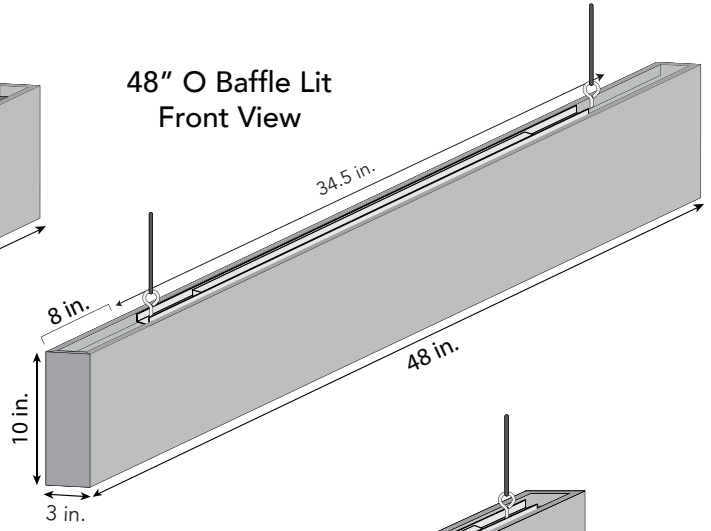


DIMENSIONS

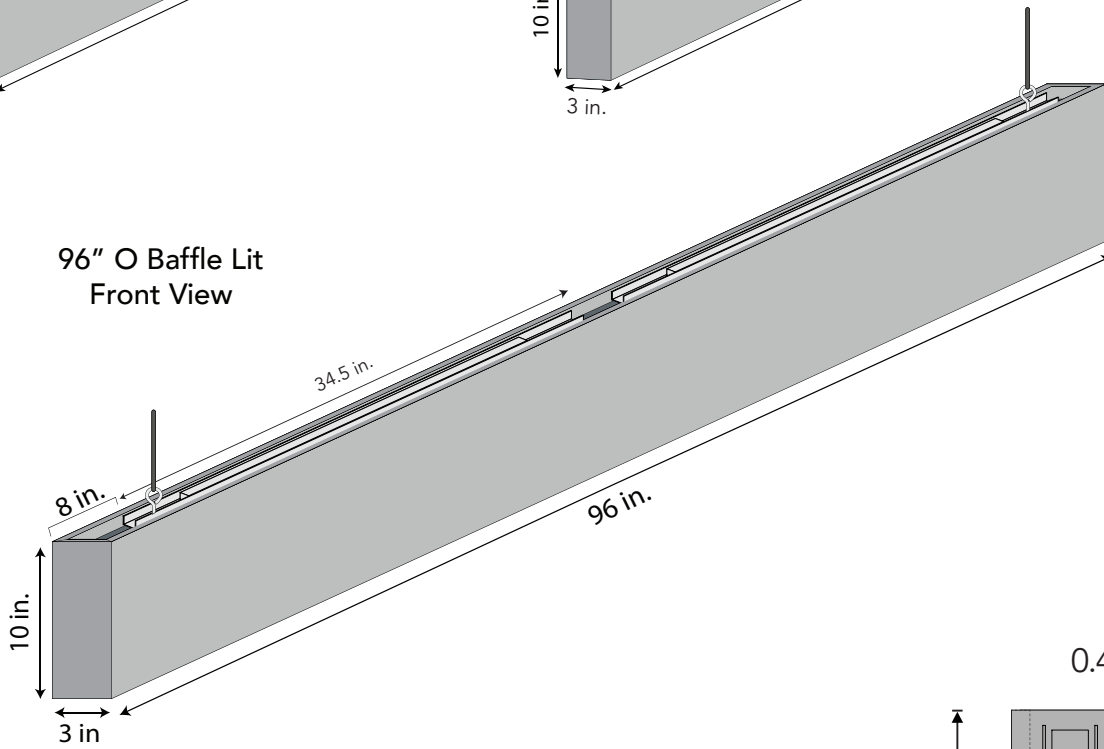
40" O Baffle Lit
Front View



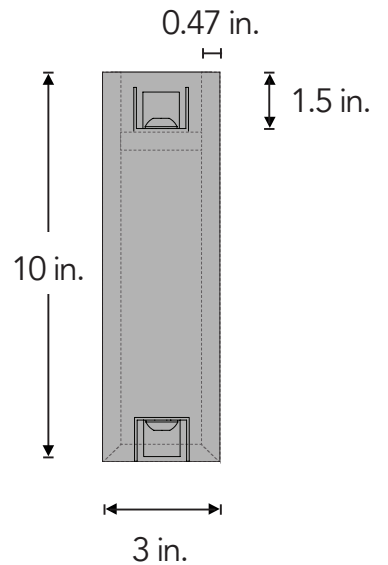
48" O Baffle Lit
Front View



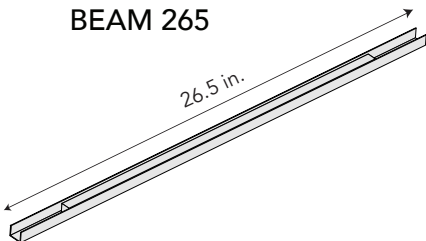
96" O Baffle Lit
Front View



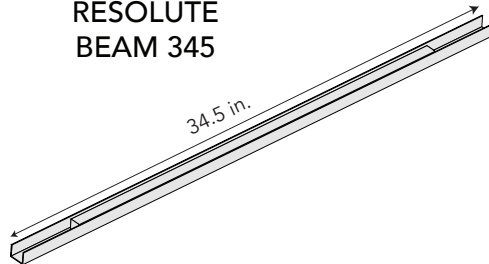
Side View



RESOLUTE
BEAM 265



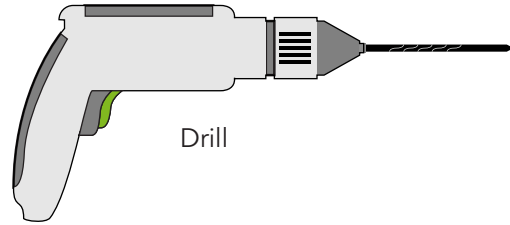
RESOLUTE
BEAM 345



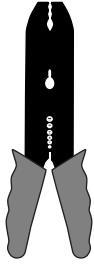
TOOLS NEEDED



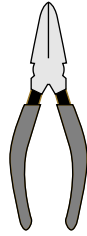
Level



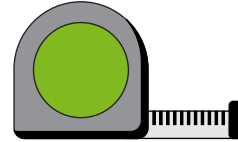
Drill



Crimper



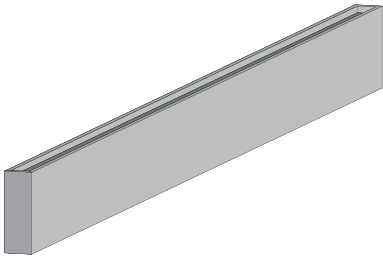
Wire Cutter



Tape Measure

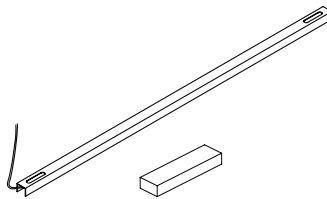
Not all tools are needed for installation, but depending on install choice, could be used.

ITEMS INCLUDED



O Baffle Lit

- Per style and quantity ordered



RESOLUTE BEAM Fixture and Hardware

- Mounting Hardware (2x screws)
- Driver
- Cord cover w/ zip ties
- Per style and quantity ordered



Mounting Hardware

- Eyebolts
OR
- 1/4" - 20 Male Threaded Screws

NON-INCLUDED ITEMS



Aircraft Cable

INSTALLATION



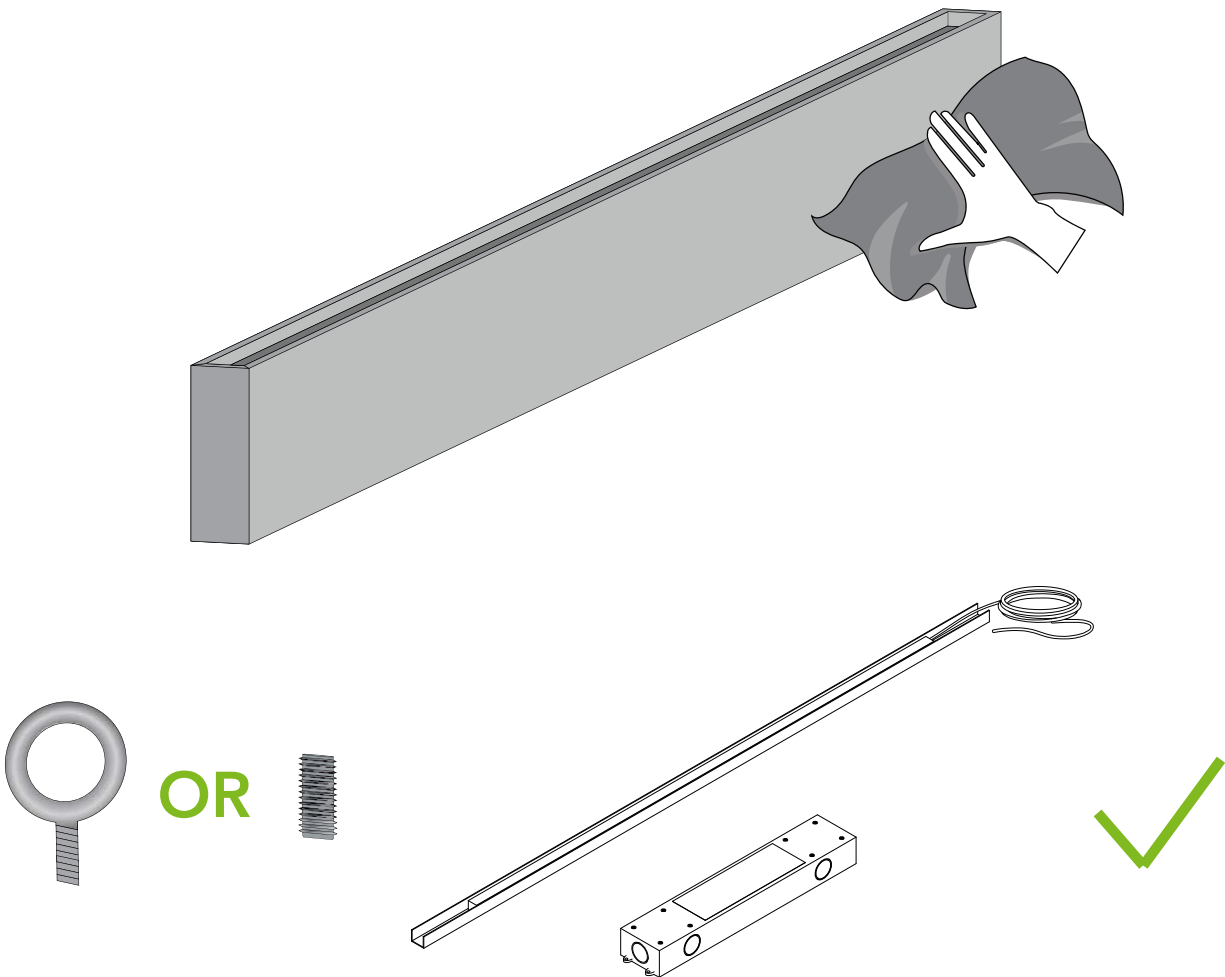
Disconnect power before installation.

The safest and easiest install is achieved by evaluating the location in advance to determine and ensure that cable path from ceiling is unobstructed. Typically two people are needed for most install applications.

1

Remove baffle(s) from the box and confirm color, undamaged condition, compatibility of hanging hardware, and clean any debris off the baffle. Each baffle has two attachment points and comes with your choice of eyebolts or 1/4" - 20 male threaded screw hardware.

Remove lighting fixtures, driver, and electrical hardware from packaging and confirm quantity and undamaged condition.



INSTALLATION

40" and 48" Baffle Installation

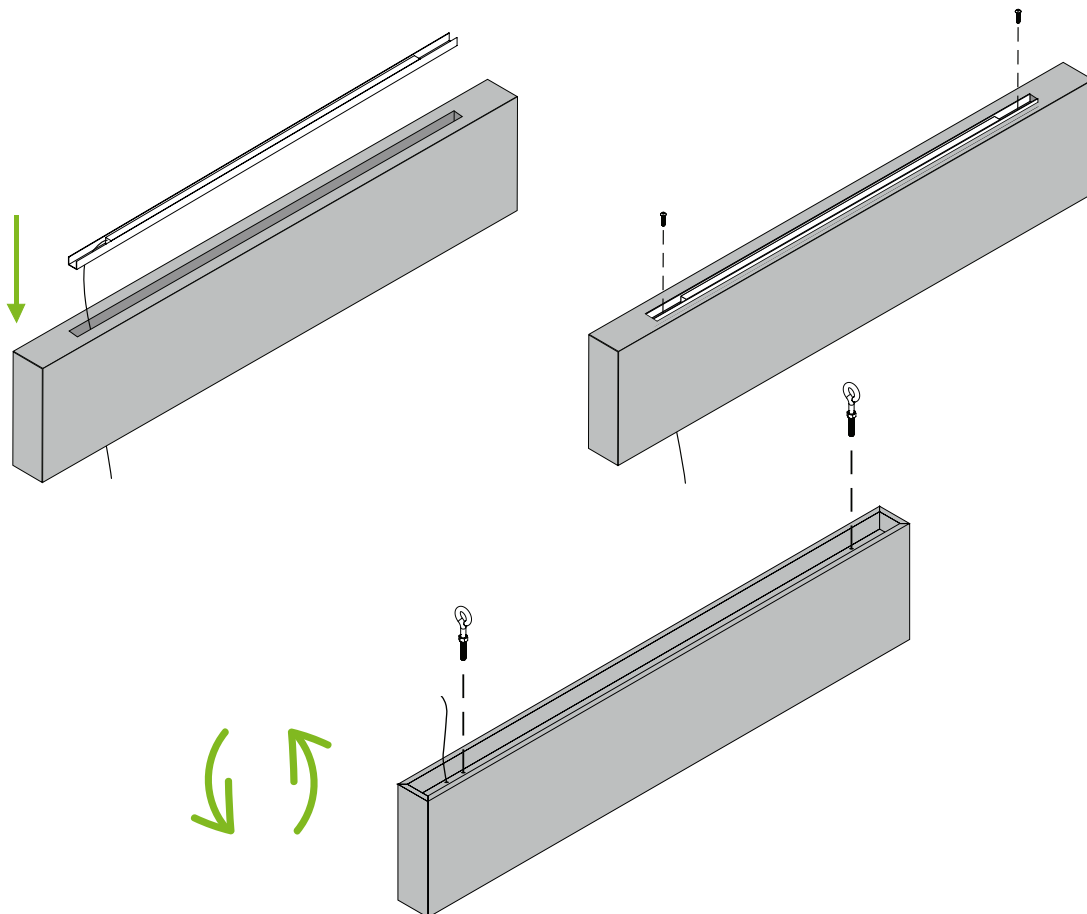
2a

For direct lighting installation, lay the baffle so the light fixture slot faces up towards the installer. Feed electrical cord through the fixture first, then through the baffle hole, then use the pilot holes on the inside of the slot to align and center the RESOLUTE BEAM light fixture.

Once properly aligned, place the fixture into the slot and place the provided fixture mounting screws through the fixture into the pilot holes and tighten to fasten fixture to the baffle.

For direct lighting only, return baffle right side up and fasten ceiling mounting hardware into designated holes

Bottom View



INSTALLATION

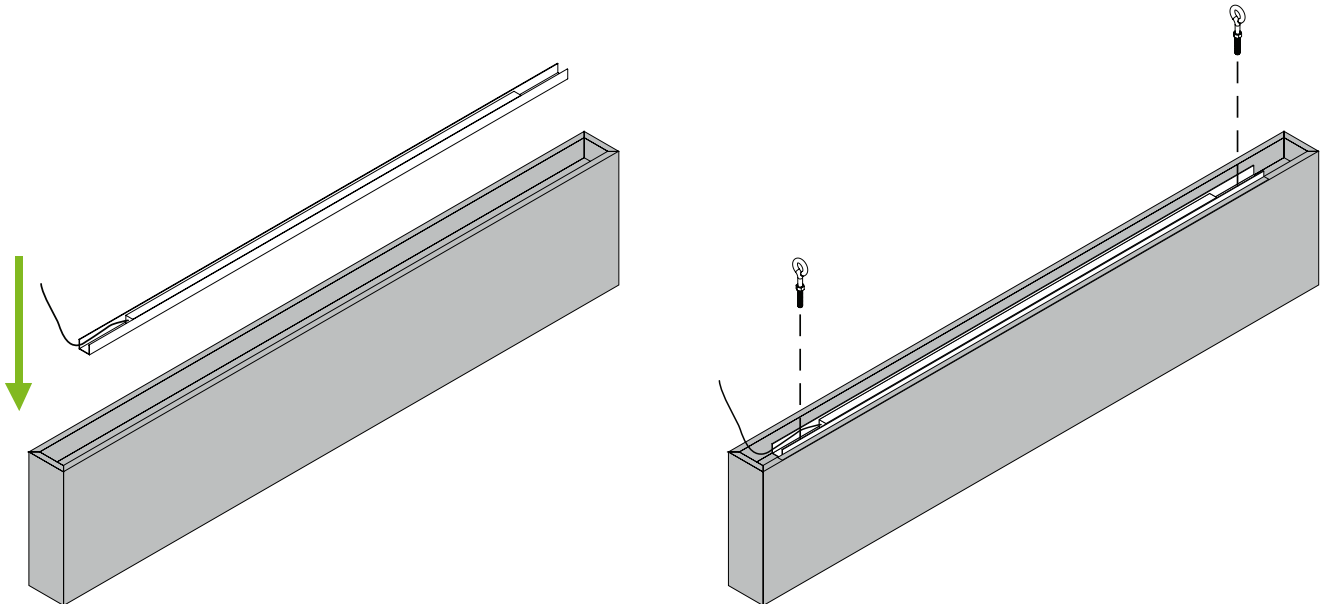
If there is no indirect (uplight) component specified, skip to step 3.

2b

For indirect lighting installation, stand the baffle with the top side up. Use the hardware holes on the top of the baffle to align and center the RESOLUTE BEAM light fixture.

Once properly aligned, place the mounting hardware through the slots into the pilot holes and tighten to fasten fixture to the baffle.

For dual lighting specifications; option to remove indirect cord cover and consolidate both wires to one cord cover. Cord cover can be trimmed to cover small sections of wire, as needed.



INSTALLATION

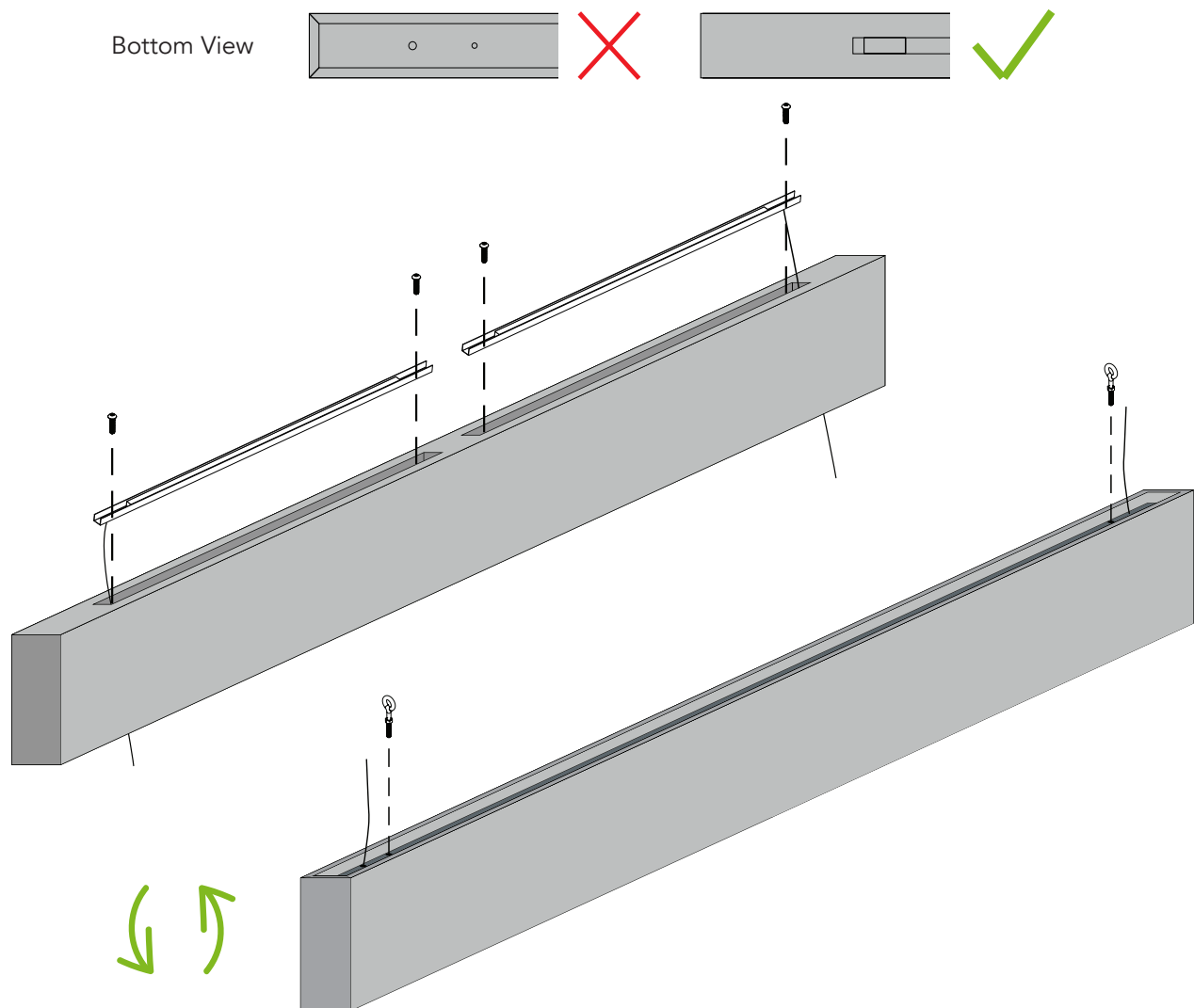
96" Baffle Installation

2a

For direct lighting installation, lay the baffle so the light fixture slot faces up towards the installer. Orient the RESOLUTE BEAM light fixtures so the electrical cord faces each end of the baffle. Feed electrical cord through the fixture first, then through the baffle holes, then use the pilot holes on the inside of the slot to align and center the RESOLUTE BEAM light fixture.

Once properly aligned, place the provided fixture mounting screws through the slots into the pilot holes and tighten to fasten fixture to the baffle.

For direct lighting only, return baffle right side up and fasten ceiling mounting hardware into designated holes.



INSTALLATION

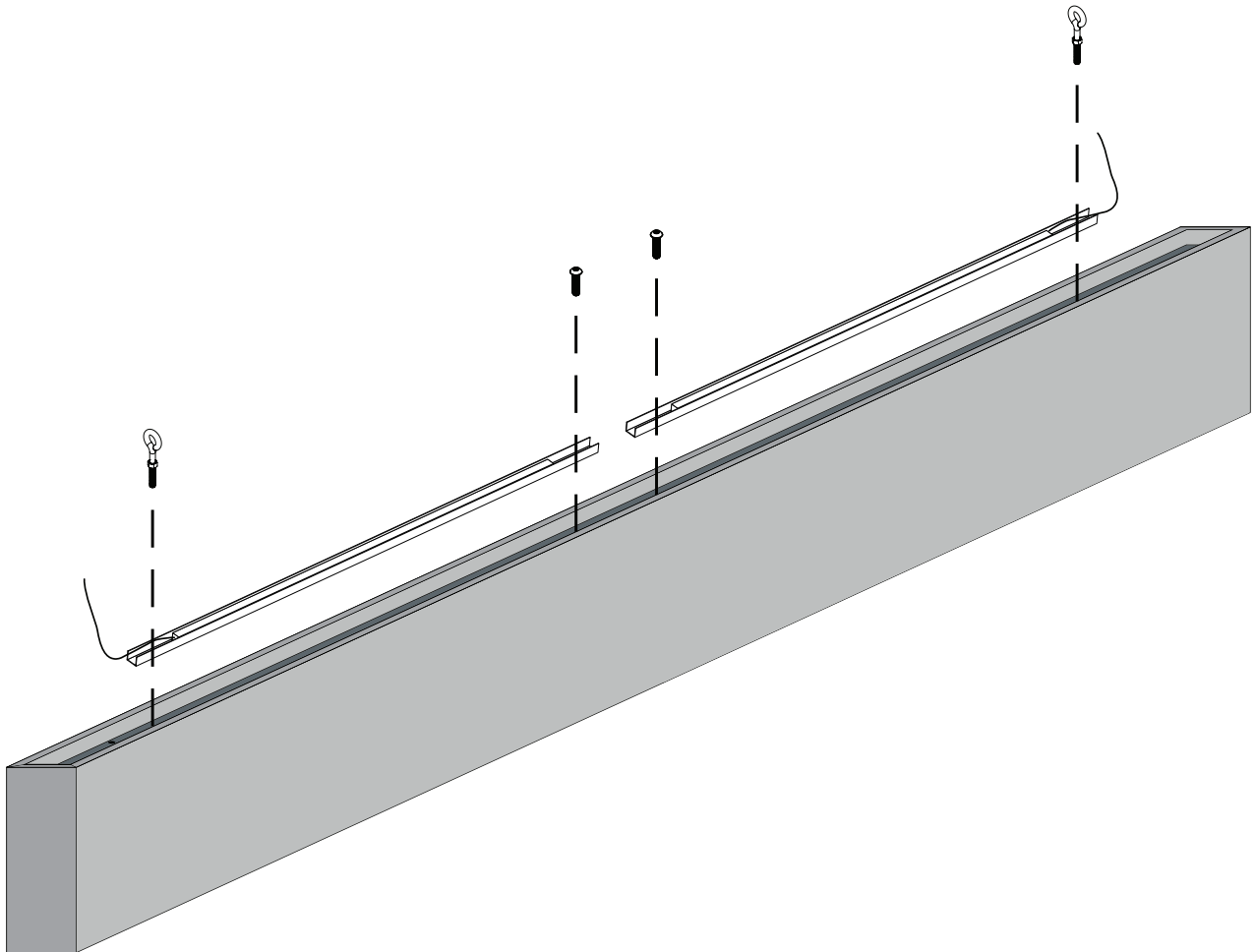
If there is no indirect (uplight) component specified, skip to step 3.

2b

For indirect lighting installation, stand the baffle with the top side up. Use the hardware holes on the top of the baffle to align the two RESOLUTE BEAM light fixtures.

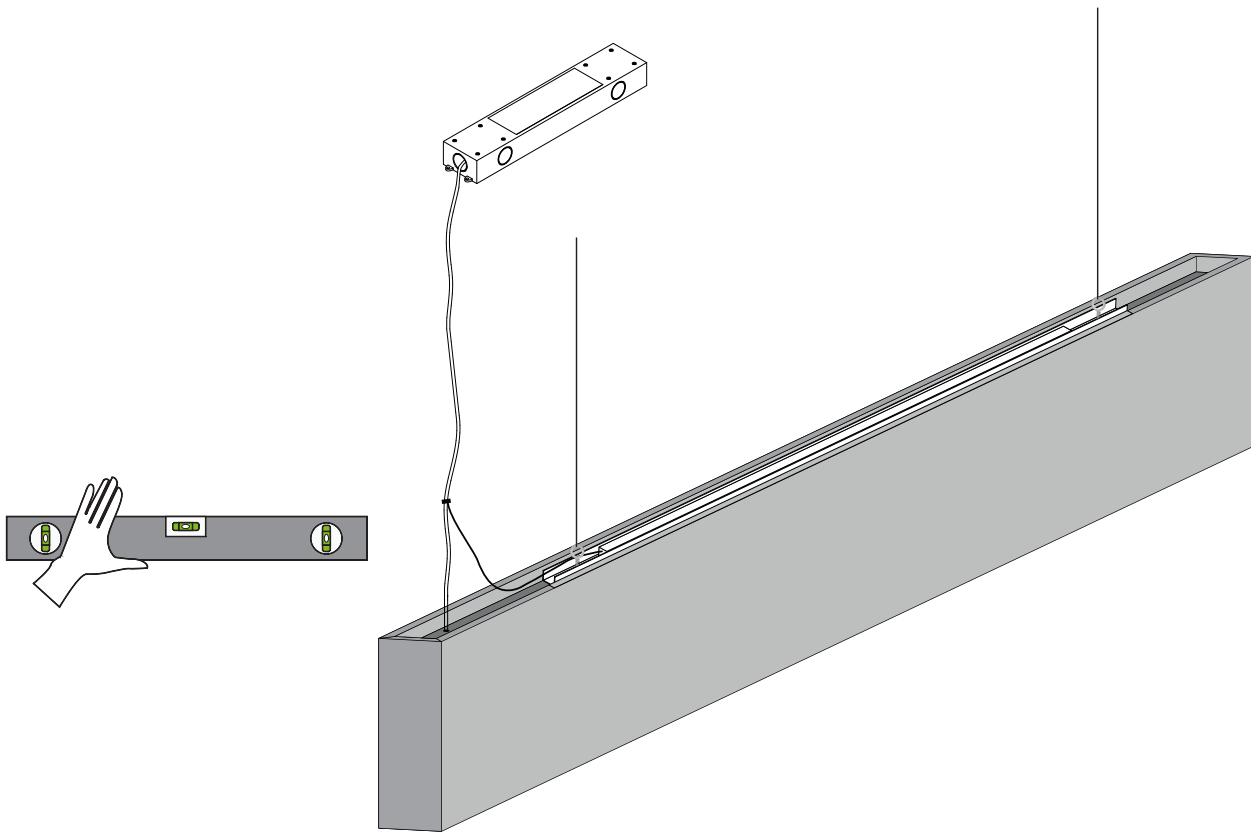
Once properly aligned, place the provided fixture mounting hardware through the slots into the pilot holes nearest the center of the baffle, and place the mounting hardware through the slots into the pilot holes towards the ends of the baffle. Tighten to fasten fixtures to the baffle.

For dual lighting specifications; option to remove indirect cord cover and consolidate both wires to one cord cover. Cord cover can be trimmed to cover small sections of wire, as needed.



INSTALLATION

- 3 Once the lighting fixture is installed to the baffle and ceiling hardware is securely mounted - carefully lay out, install, and level the baffles.



For connecting fixture to power and electrical wiring diagrams, please scan the QR code:



kirei

CONTACT INFORMATION

Phone: 619.236.9924

Email: info@kireiusa.com

Web: kireiusa.com

RESOLUTE: kirei@resoluteusa.com

Our Mission

Kirei strives to inspire a beautiful world by providing architects, interior designers, and placemakers with sustainable architectural design elements for inspiring healthy spaces.

Committed To Sustainability

Kirei prioritizes sustainable design in our materials and our process. Our products must contain a minimum of 50% or more recycled material, meet or exceed CDPH standards for VOCs, and must be Red List Free and Declare Label qualified/certified. From tiles made of plastic bottles to baffles filled with Nike Grind, being "green" is a key quality of all our products.

Our Proven Process

Our proven process is simple and guides all that we do. We listen and learn the needs of a designer's project to inspire and assist through the specification process. We get the spec right, working with installers and contractors to get accurate bid information. We provide best-in-class service that includes reliable delivery and installer support, ensuring that each project gets exactly what it needs when it needs it. Finally, we celebrate the designer, their project, and the win!