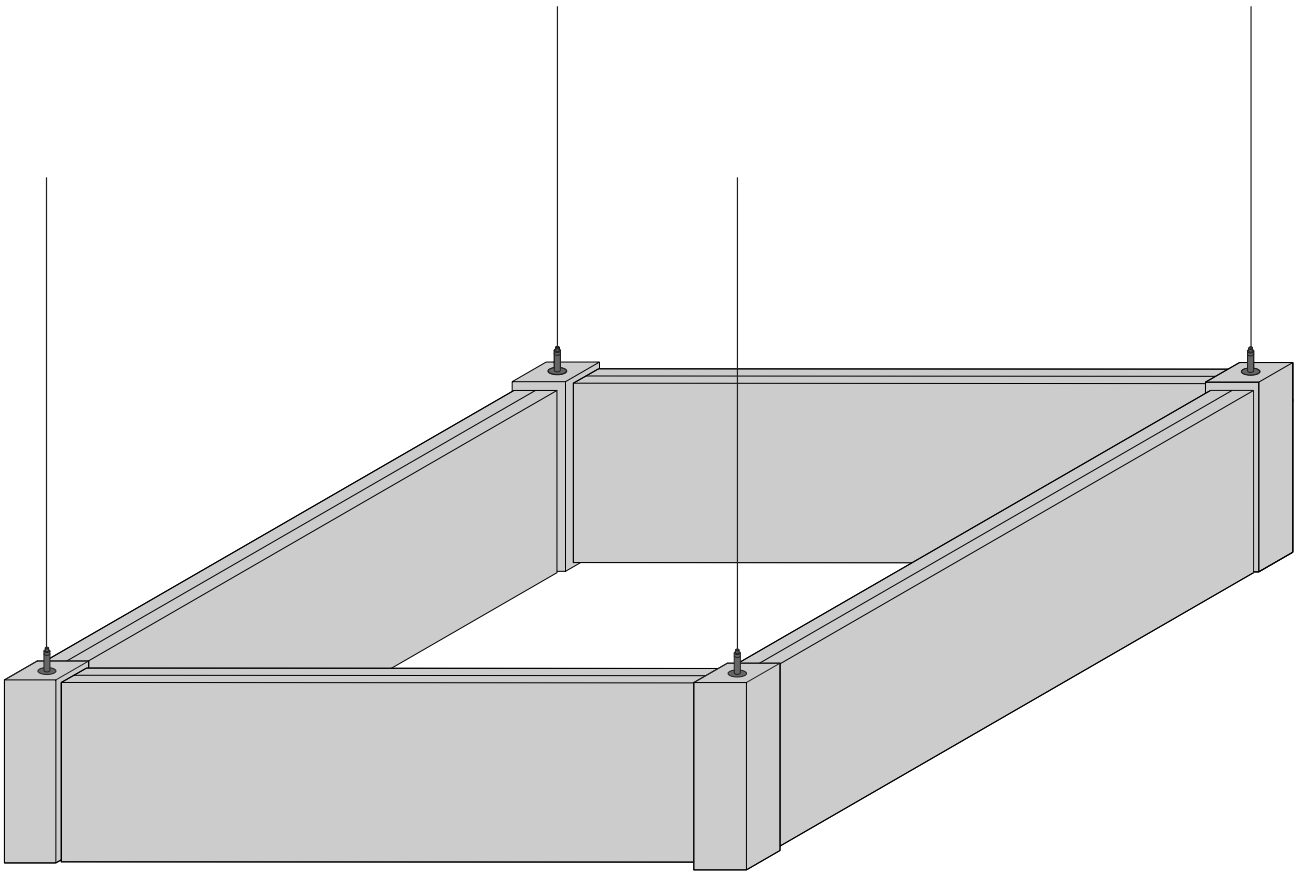


MATRIX GRID

INSTALLATION GUIDE



kirei

IMPORTANT INFORMATION

Installation

Please read the entire Installation Guide prior to application. This installation guide is intended to provide installers with helpful information regarding Matrix Grids prior to installation. Kirei accepts no responsibility for installation actions taken or not taken. This installation guide is not intended to be an in-depth guide; installer's knowledge as an experienced tradesman needs to be applied.

If you have questions about application or techniques, contact Kirei. Kirei will not be responsible for any cutting or mounting not performed by Kirei staff.

Terms of Trade

All Matrix Grid products are inspected prior to shipment. Kirei is not responsible for damage in shipment or in storage; customers should carefully inspect all items at time of delivery and note any obvious damage on the delivery receipt. For the customer's protection subsequently discovered concealed damage must be reported immediately to the carrier. Claims to Kirei will not be considered if the sheet has been worked on by the customer or others. No claims for labor charges will be allowed in any circumstances.

Work Safety

In the interest of work safety, it is recommended that people working with Matrix Grids wear the appropriate safety equipment. Although the product emits zero off-gases, masks and gloves should be worn to ensure the maximum possible safety precautions. For an SDS form, please contact Kirei.

Product Notes

Matrix Grid's acoustic performance will alter based on a variety of factors including spacing between grids. Matrix Grids have a grain that can reflect light differently, looking slightly lighter or darker depending on placement.

Cleaning & Handling

Do not store Matrix Grids vertically, please store laying flat.
See the [Handling and Cleaning Guide](#) for more information.

Matrix Grid Specs

See the [Matrix Grid Spec Sheet](#) for product details and information.

Product & Installation Questions

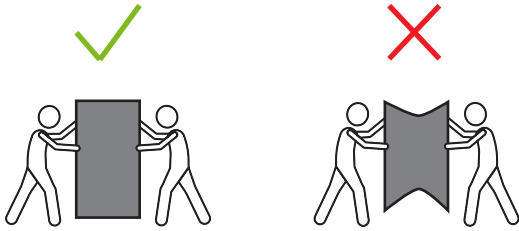
PH: 619.236.9924

Email: info@kireiusa.com

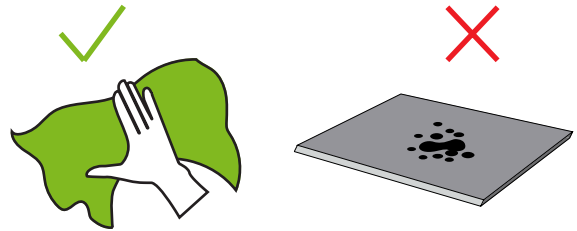
Web: kireiusa.com

HANDLING

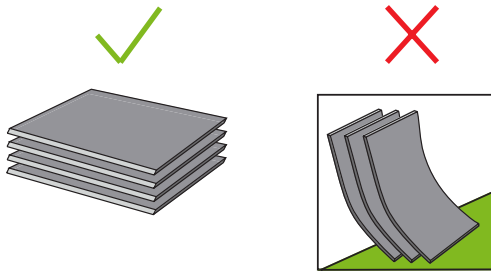
Carry boxes and products upright.



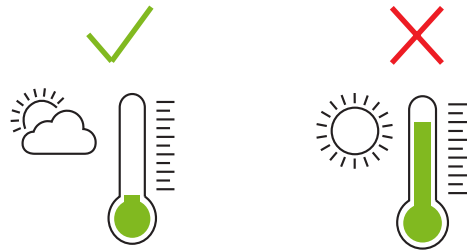
Keep all surfaces clean for storage and fabrication.



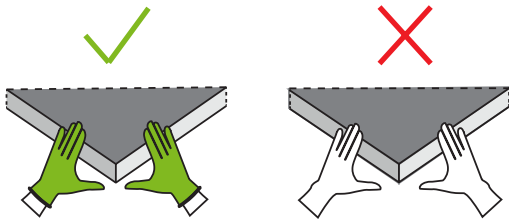
Store boxes and products flat.



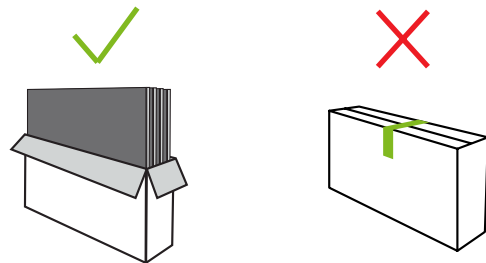
Store in a cool, dry place with no direct sun. Avoid 145 degree temperatures or greater.



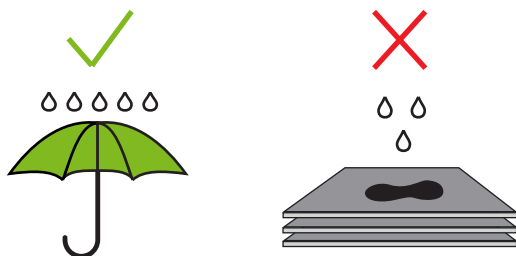
Wear gloves for handling light colors.



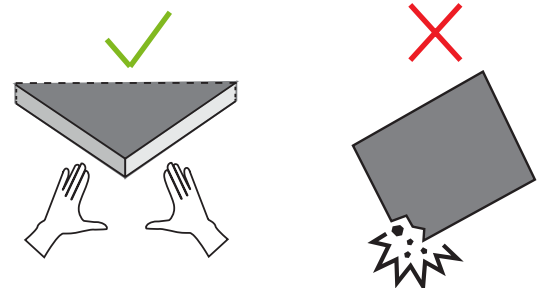
Upon delivery, inspect all goods for order corrections and damage.



Keep product dry and avoid humidity.

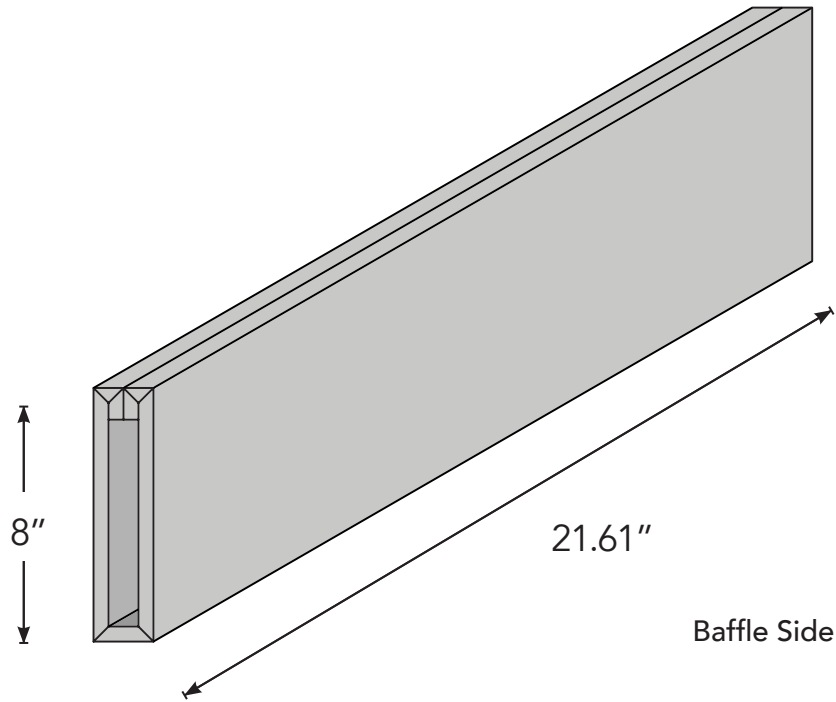


Protect the edges.

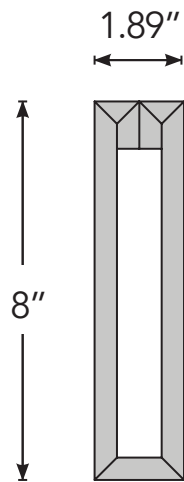


DIMENSIONS

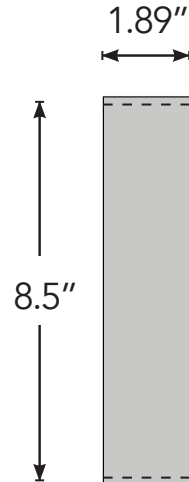
Matrix Grid



Baffle Side



Baffle Front

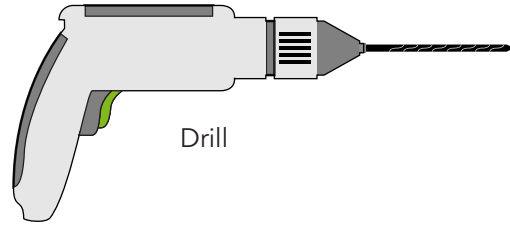


Connector Front

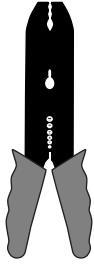
TOOLS NEEDED



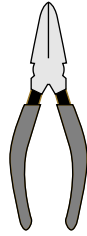
Level



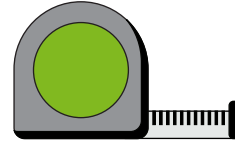
Drill



Crimper



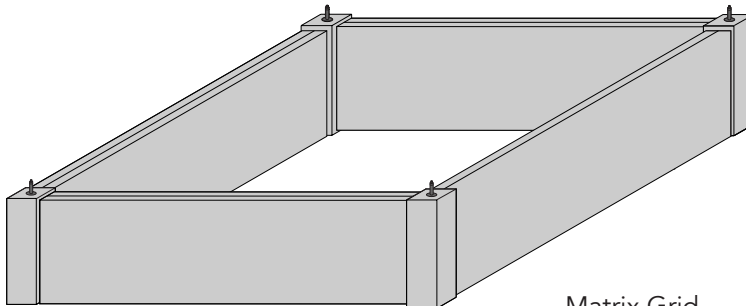
Wire Cutter



Tape Measure

Not all tools are needed for installation, but depending on install choice, could be used.

ITEMS INCLUDED



Matrix Grid

- Hardware installed
- Varies based on order and formations.

ITEMS NOT INCLUDED

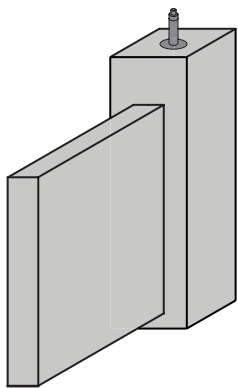


Compatible aircraft cables for the supplied cable grippers are 3/64" - 1/16"

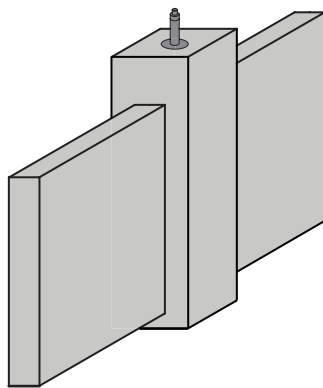
Aircraft Cable

CONNECTORS

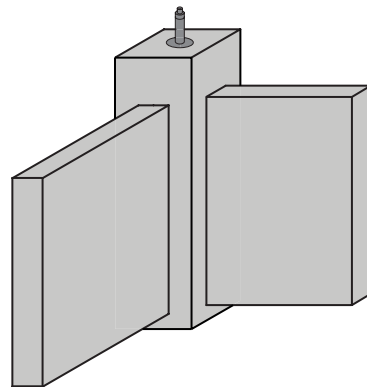
There are five different connectors available for creating a variety of formations. The Matrix Grid design of the project will dictate what type and number of connectors that will be included.



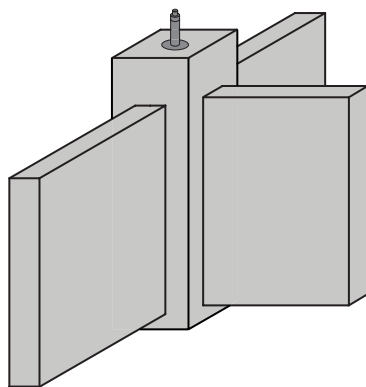
Single Connector



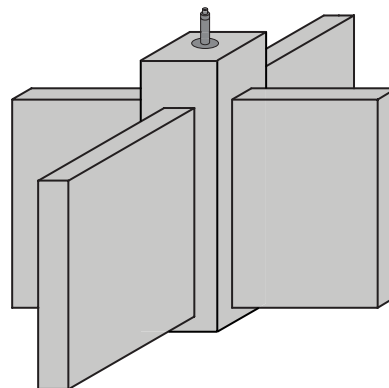
Straight Connector



Corner Connector



3-Way Connector

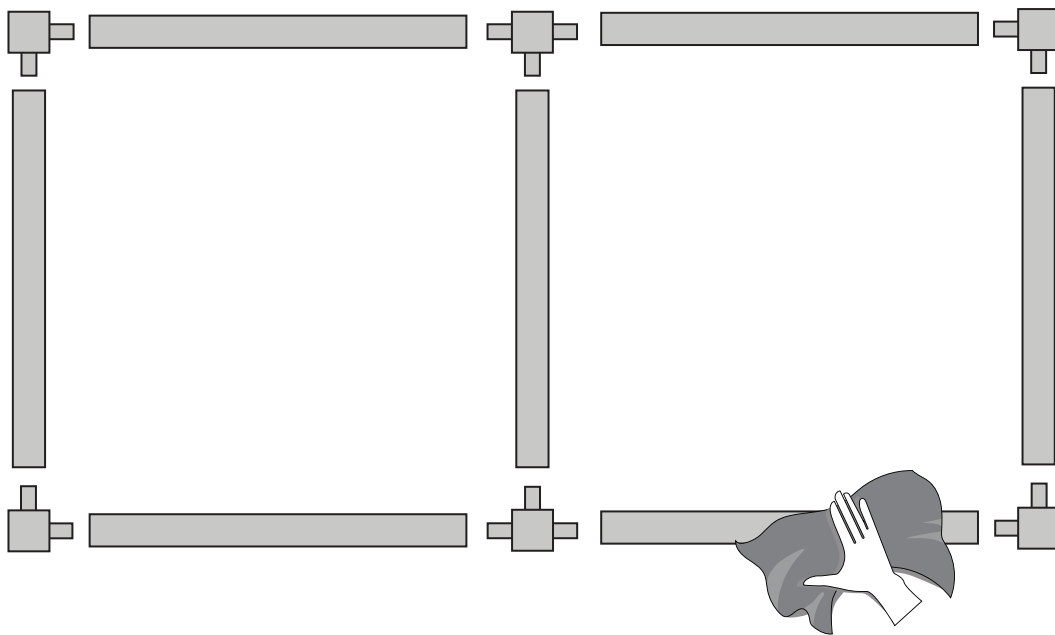


4-Way Connector

INSTALLATION

The safest and easiest install is achieved by evaluating the location in advance to determine and ensure that cable path from ceiling is unobstructed. Typically two people are needed for most install applications. Grids are shipped ready to assemble and install. Matrix grid pieces vary between orders.

- 1 Remove grid from the box confirm color, undamaged condition, compatibility of hanging hardware, and clean any debris off the grid. Review designer's formation to ensure all baffles and connectors for the design are in the box.

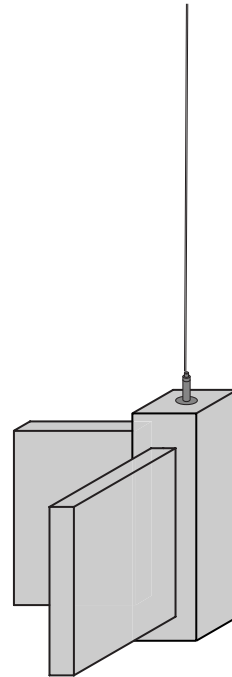
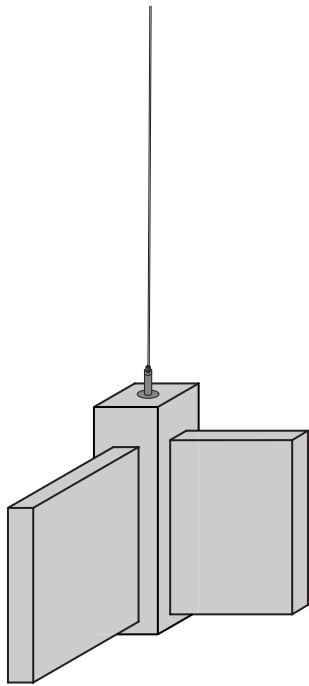


INSTALLATION

- 2 Assess the Matrix Grid design in relation to the hanging points on the ceiling. Start with the first hanging point and first connector.

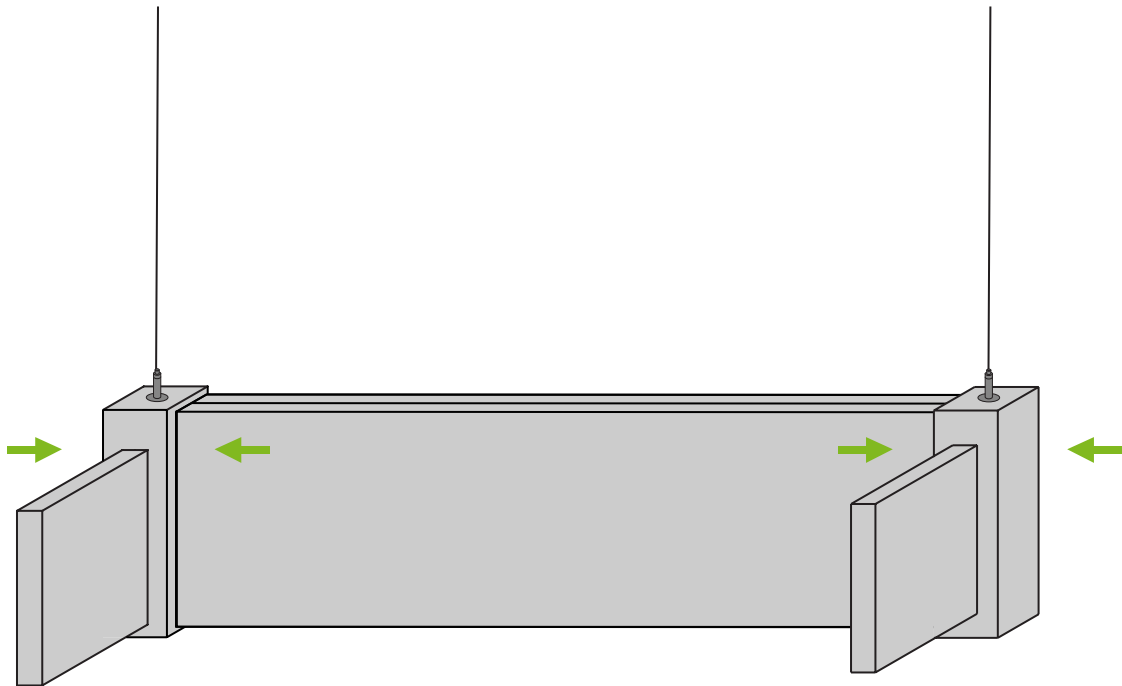
At this point on the ceiling securely mount the appropriate hardware. Attach cable to ceiling hardware and then string cable through the cable gripper on connector. Level connector by adjusting cable in the cable gripper hole to correct length.

Repeat for the second connector.



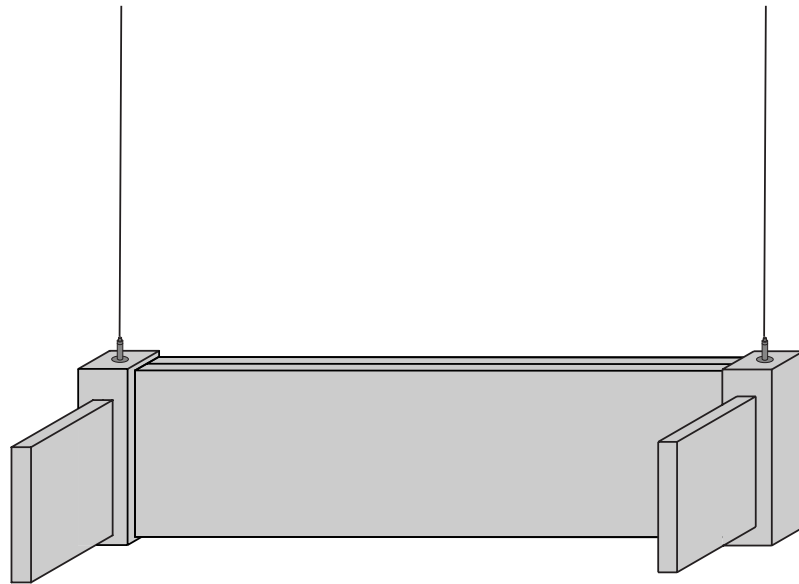
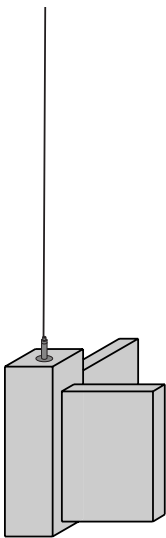
INSTALLATION

- 3 With the two connectors hanging with ceiling cable, take one of the baffles and push the connector into the open hole of the baffle until fitted. Next, push the connector on the other side of the baffle into open hole until fitted. *Note: When installing the baffle, make sure to have the seam side facing up.*



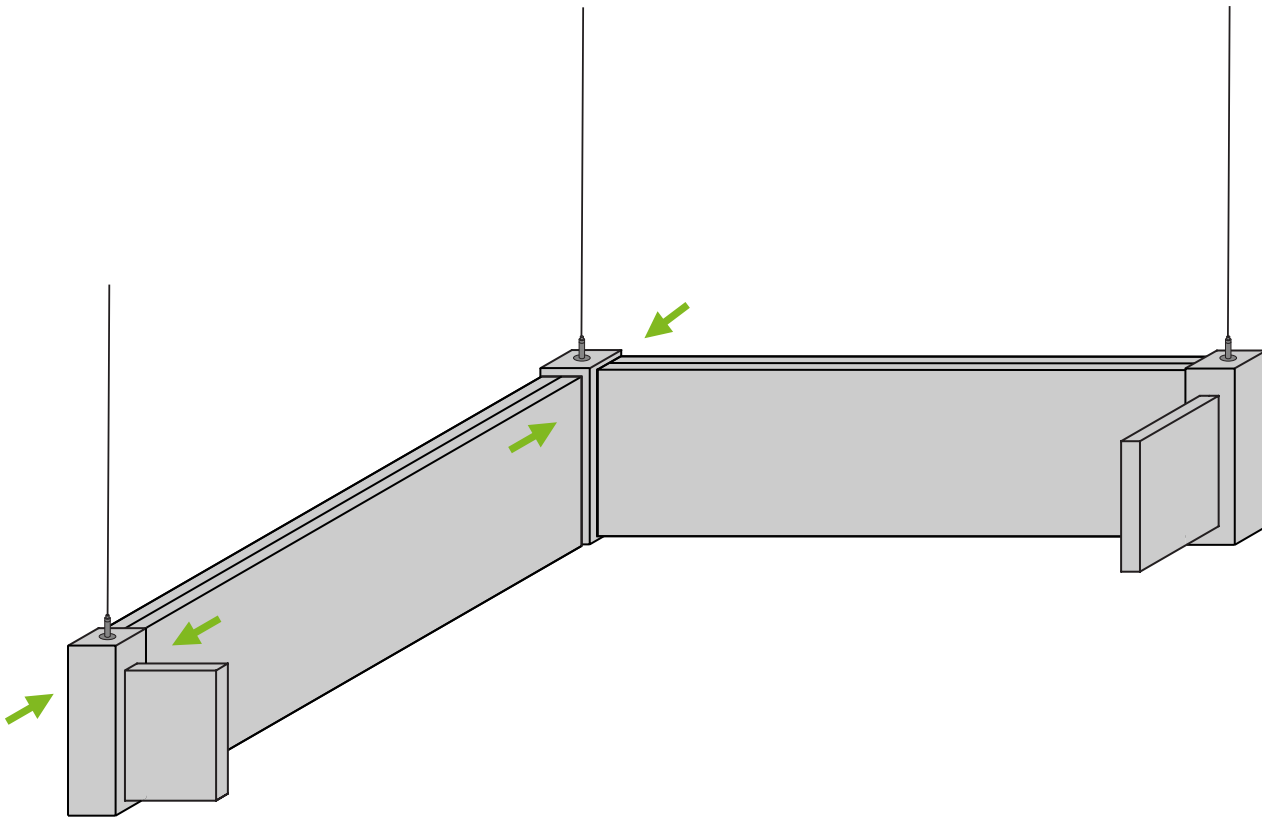
INSTALLATION

- 4** Repeat step two and install the next connector in the configuration.



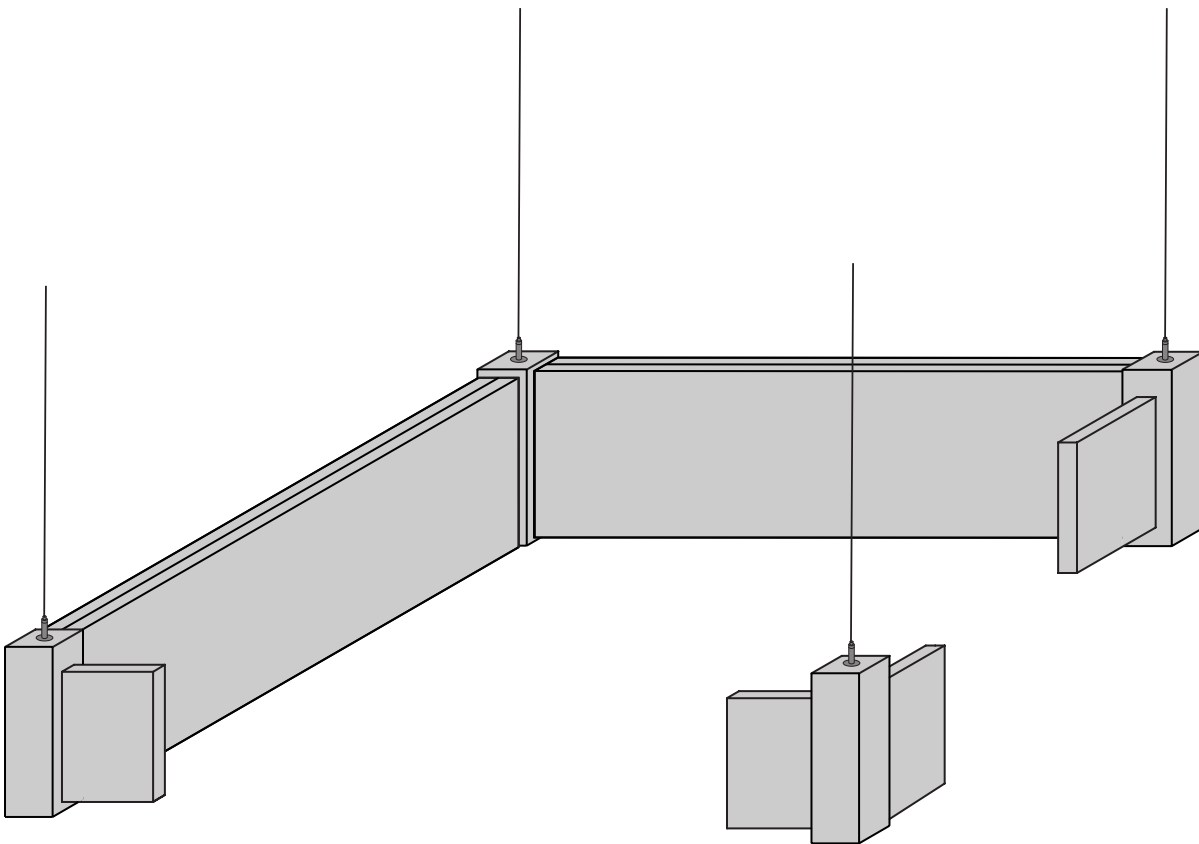
INSTALLATION

- 5 Repeat step three and push the connectors into the the next baffle.



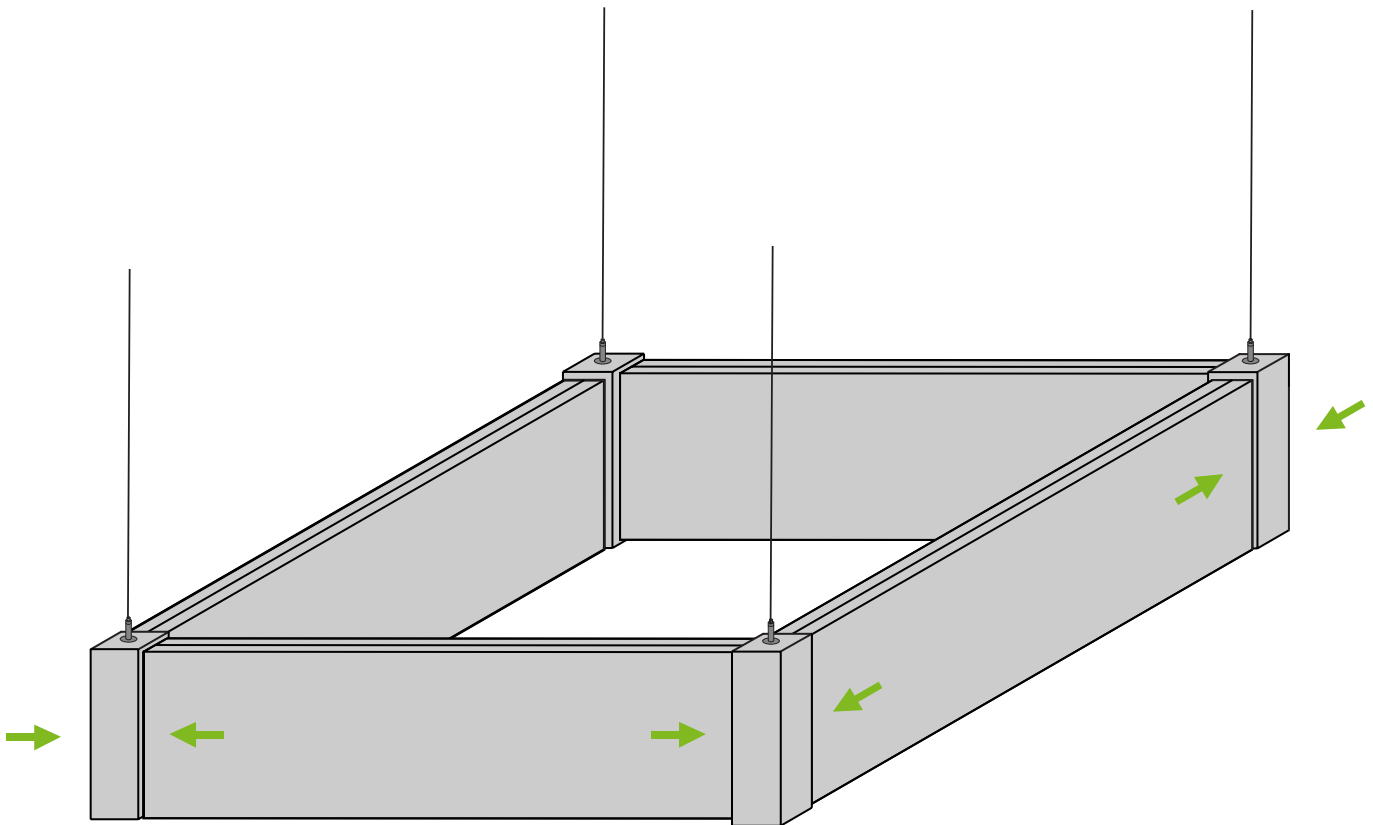
INSTALLATION

- 6 Repeat step two and install the next connector in the configuration.



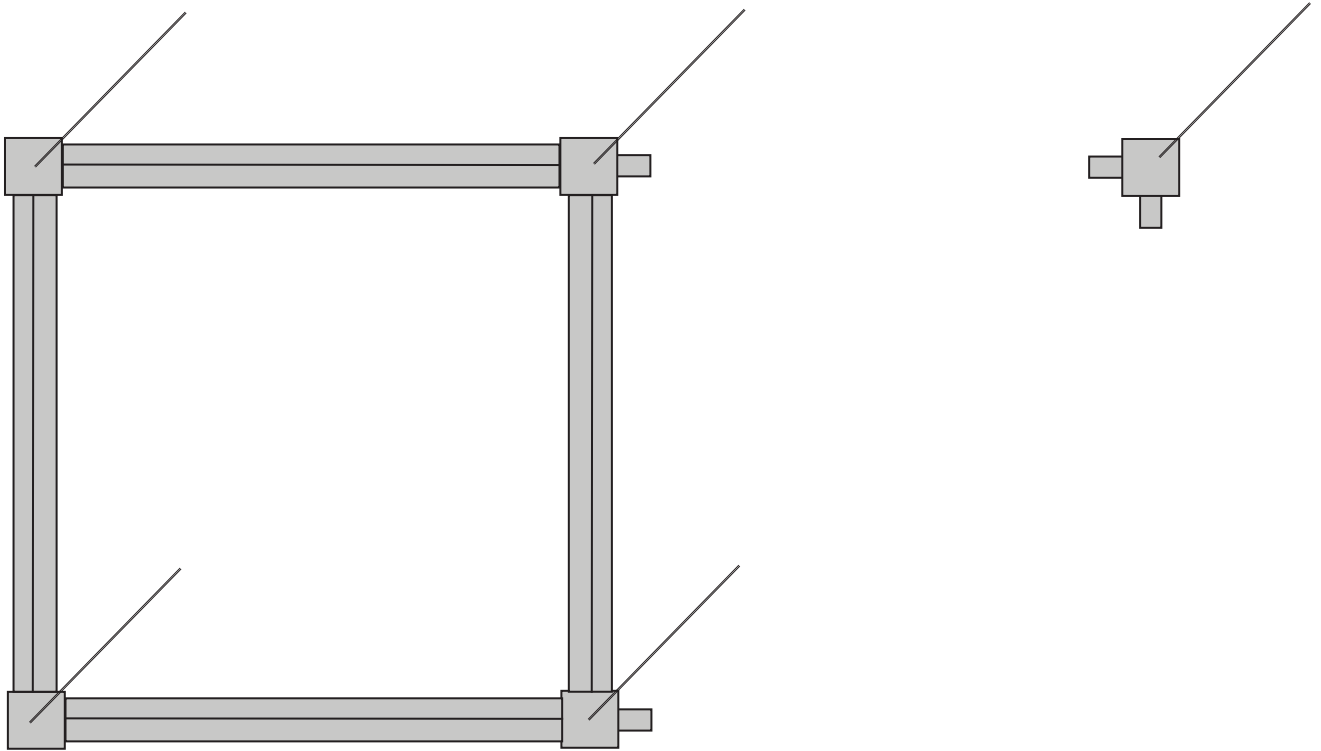
INSTALLATION

- 7 Repeat step three and push the connectors into the the remaining two baffles to complete the configuration.



INSTALLATION

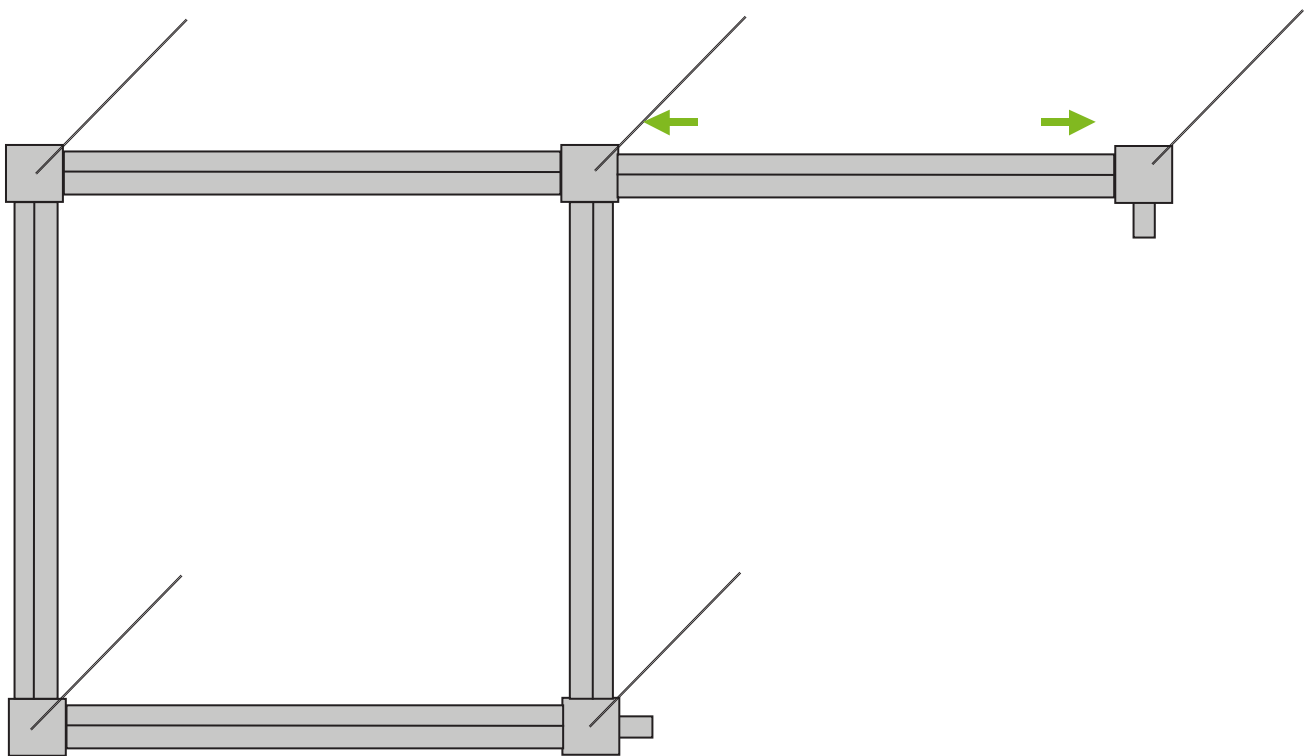
- 8 Once the first configuration is complete, refer to the design formation for the next grid configuration. Repeat step 2 for the next connector.



INSTALLATION

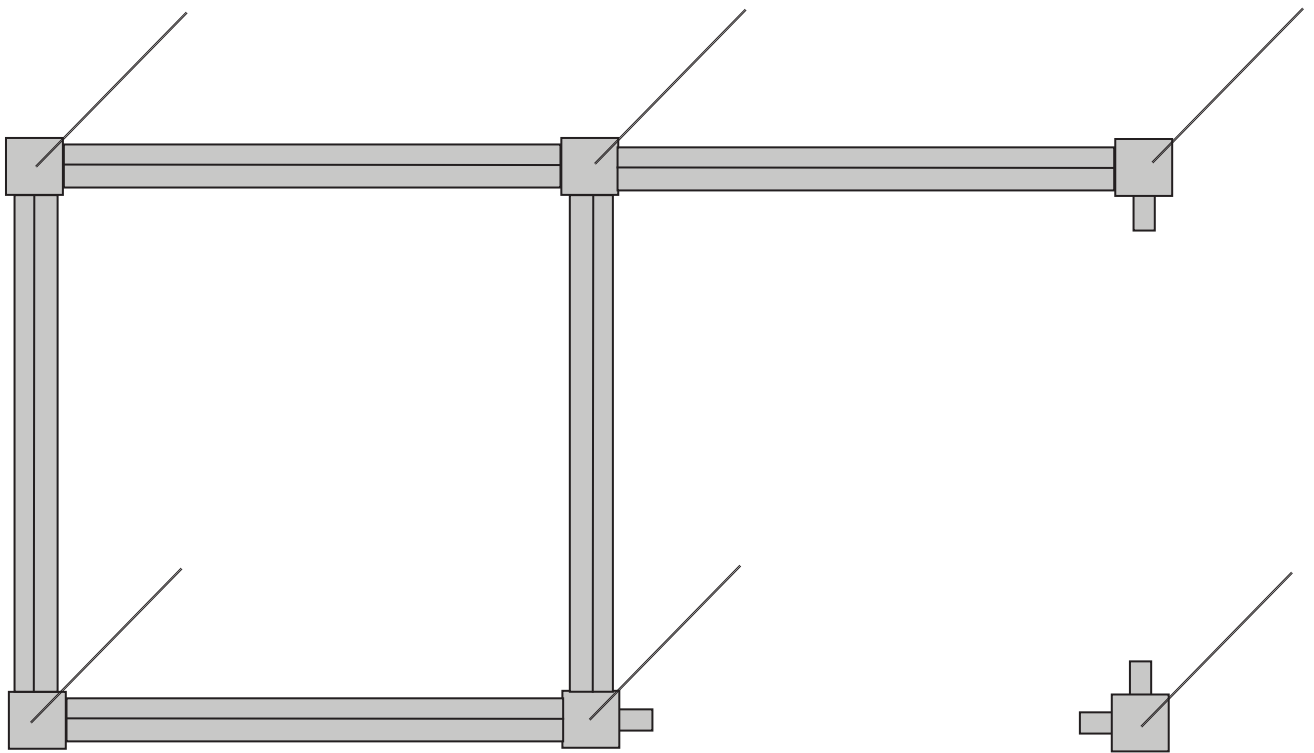
9

Next repeat step 3 and add the baffle that connects the formed configuration to the new connector.



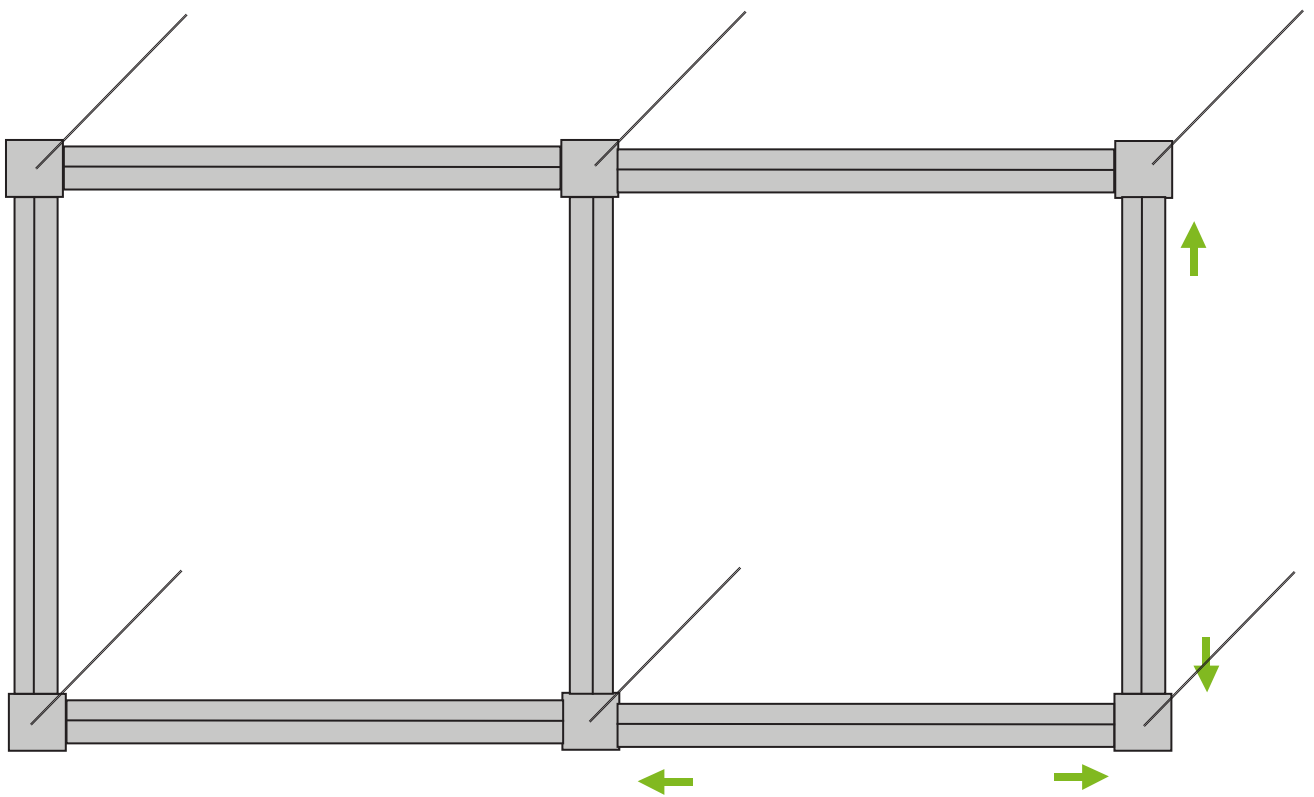
INSTALLATION

- 10** Again, continue to the repeat step 2 for the next connector.



INSTALLATION

- 11** Repeat step 3 again and add the last two baffles that connect the formed configuration to the final connector.





CONTACT INFORMATION

Phone: 619.236.9924

Email: info@kireiusa.com

Web: kireiusa.com

Our Mission

Kirei strives to inspire a beautiful world by providing architects, interior designers, and placemakers with sustainable architectural design elements for inspiring healthy spaces.

Committed To Sustainability

Kirei prioritizes sustainable design in our materials and our process. Our products must contain a minimum of 50% or more recycled material, meet or exceed CDPH standards for VOCs, and must be Red List Free and Declare Label qualified/certified. From tiles made of plastic bottles to baffles filled with Nike Grind, being "green" is a key quality of all our products.

Our Proven Process

Our proven process is simple and guides all that we do. We listen and learn the needs of a designer's project to inspire and assist through the specification process. We get the spec right, working with installers and contractors to get accurate bid information. We provide best-in-class service that includes reliable delivery and installer support, ensuring that each project gets exactly what it needs when it needs it. Finally, we celebrate the designer, their project, and the win!